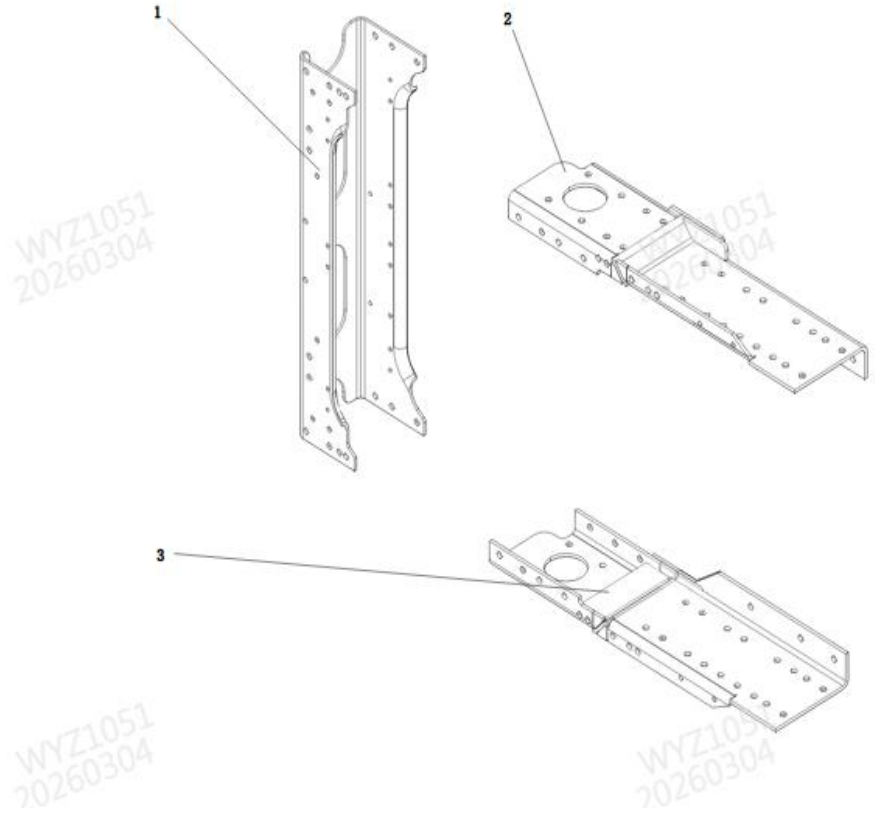


Frame System
Front Accessories Of Frame



Reference number	Part Number	Part Name	quantity
1	DZ95189800202	Front Cross Beam	1
2	DZ95319931150	Bumper Front Bracket Assembly (Left)	1
3	DZ95319931160	Bumper Front Bracket Assembly (Right)	1

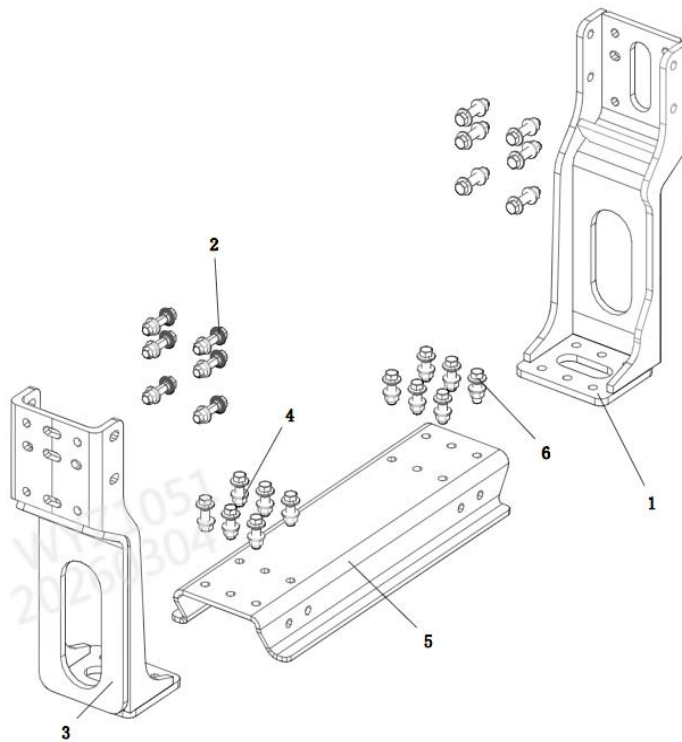
Bumper Front Bracket Assembly (Left)

Reference number	Part Number	Part Name	quantity
	DZ95319931151	Z-Shaped Bend Plate (Left)	1
	DZ9114931133	Connecting Plate	1
	DZ95259931153	Connecting Plate	2
	DZ95259931154	Connecting Plate	1
	DZ95259931155	Connecting Plate	1
	DZ93259931157	Strengthened Plate	1
	DZ95259801157	Strengthened Plate	2

Bumper Front Bracket Assembly (Right)

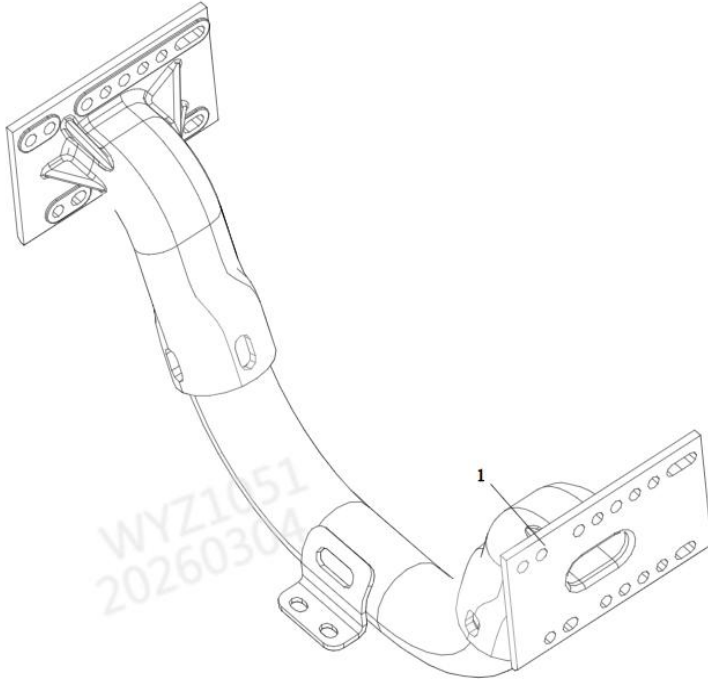
Reference number	Part Number	Part Name	quantity
	DZ95319931152	Z-Shaped Bend Plate (Right)	1
	DZ9114931133	Connecting Plate	1
	DZ95259931153	Connecting Plate	2
	DZ95259931154	Connecting Plate	1
	DZ95259931155	Connecting Plate	1
	DZ93259931157	Strengthened Plate	1
	DZ95259801157	Strengthened Plate	2

Frame Auxiliary Crossbeam



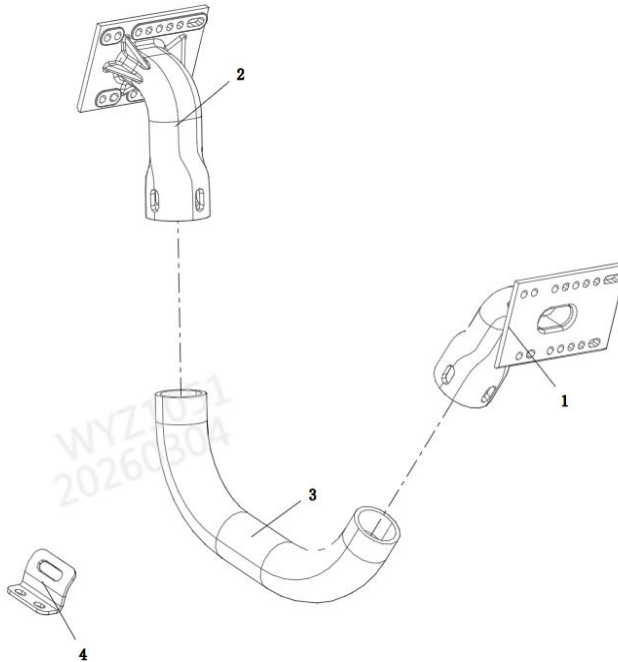
Reference number	Part Number	Part Name	quantity
	1 DZ95319512506	Right Bracket Assembly	1
	2 Q1811455TF3	Toothed Bolt With Hexagon Flange Face	6
	2 Q1811455TF3	Toothed Bolt With Hexagon Flange Face	6
	3 DZ95319515710	Bracket Assembly	1
	4 06. 11251. 2005	Hexagon Nut With Flange/M7.112.40 M14*1.5-10-MAN183B1	6
	4 06. 11251. 2005	Hexagon Nut With Flange/M7.112.40 M14*1.5-10-MAN183B1	6
	4 06. 11251. 2005	Hexagon Nut With Flange/M7.112.40 M14*1.5-10-MAN183B1	12
	5 DZ95319515425	Cross Beam	1
	6 Q1811440TF3	Toothed Bolt With Hexagon Flange Face	12

Tubular Crossbeam Assembly



Reference number	Part Number	Part Name	quantity
1	DZ96259510390	Tubular Crossbeam Assembly	1

Tubular Crossbeam Assembly



Reference number	Part Number	Part Name	quantity
1	DZ96259510391	Pipe Beam Support Bracket/Left	1

2	DZ96259510392	Pipe Beam Support Brackct/Right	1
3	DZ96259510393	Pipe Sorghum	1
4	DZ96259510394	Bracket	1

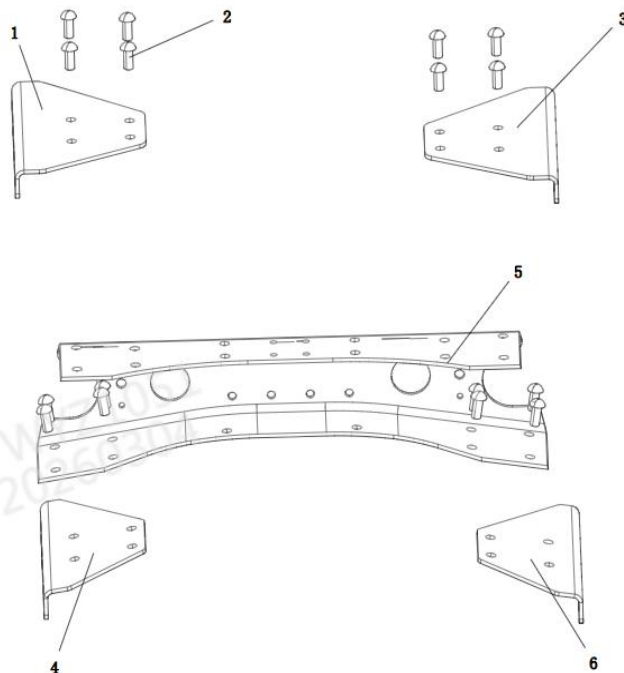
Frame Assembly

Reference number	Part Number	Part Name	quantity
	DZ97319519570	Frame Assembly	1

Frame Assembly

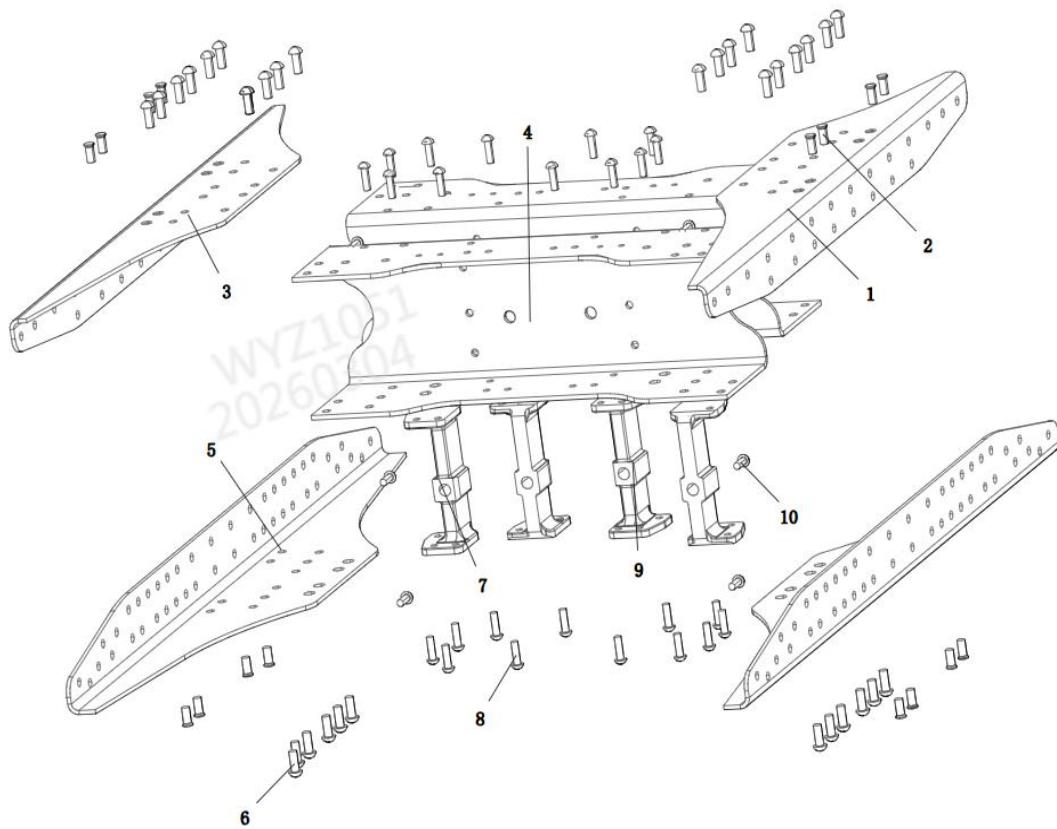
Reference number	Part Number	Part Name	quantity
	DZ97319519571	Frame Left Longer on	1
	DZ97319519572	Frame Right Longer on	1
	DZ97319511313	Strengthened Plate	1
	DZ97319511314	Strengthened Plate	1
	Q4501436	Cup Head Rivet	68
	Q4501442	Cup Head Rivet	74
	Q151B1435TF3	Hexagon Head Bolt- Fine Thread	54
	190003888620	Self-Locking Nut	94
	DZ97319511309	Cross Beam Assembly	3
	DZ97319511343	Strengthened Plate	1
	DZ97319511344	Strengthened Plate	1
	Q151B1440TF3	Hexagon Head Bolt- Fine Thread	40
	DZ97319511310	Cross Beam Assembly	1
	DZ97319511305	Inner Reinforcement Plate	1
	DZ97319511306	Inner Reinforcement Plate	1
	DZ96219510301	Cross Beam Assembly	1
	DZ96259513226	Tail Beam	1

Cross Beam Assembly



Reference number	Part Number	Part Name	quantity
1	DZ97319511325	Left Upper Connecting Plate	1
2	Q4501432	Half Round Head Rivet (High Anti-Corrosion F62)	16
3	DZ97319511326	Upper Right Connecting Plate	1
4	DZ96259510051	Left Connection Plate/Lower	1
5	DZ96259510015	Beam	1
6	DZ96259510052	Lower Right Connecting Plate	1

Cross Beam Assembly



Reference number	Part Number	Part Name	quantity
1	DZ97319511321	Left Upper Connecting Plate	1
2	SXQ4601432	Countersunk Rivet (High Anti-Corrosion F62)	16
3	DZ97319511322	Upper Right Connecting Plate	1
4	DZ97319511311	Cross Beam	2
5	DZ97319511323	Lower Connecting Plate	2
6	Q4501436	Cup Head Rivet	34
7	DZ96259511013	Bracket 2	2
8	Q4501240	Cup Head Rivet	24
9	DZ96259511012	Bracket 1	2
10	Q4501234	Cup Head Rivet	6

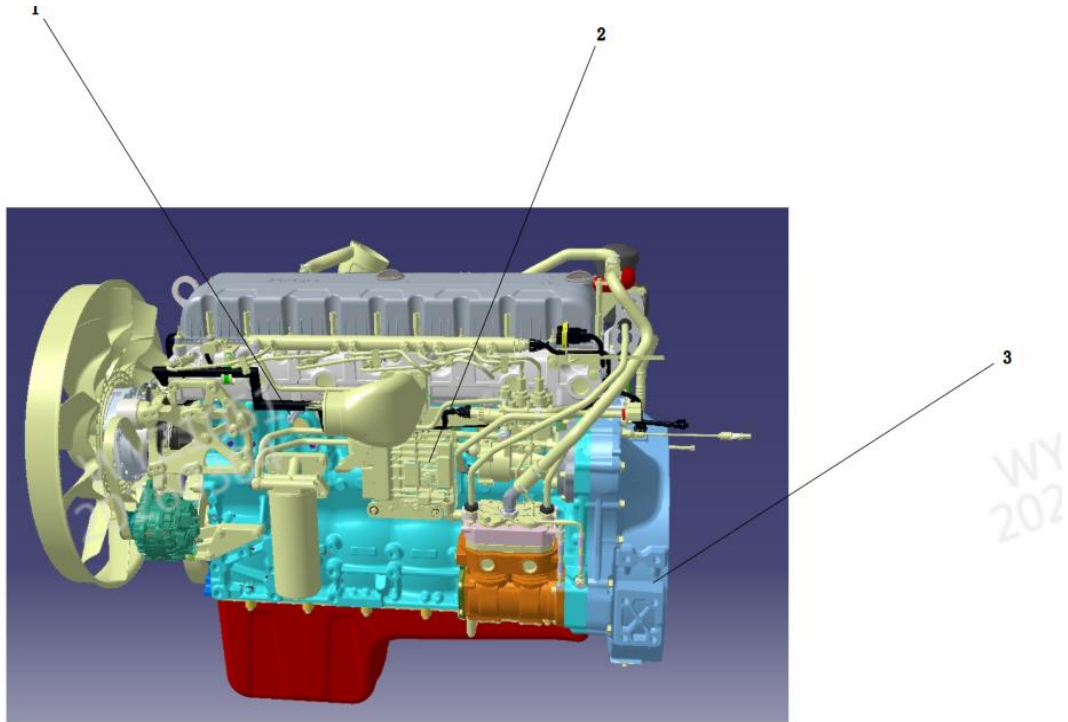
Cross Beam Assembly



Reference number	Part Number	Part Name	quantity
	DZ96219510307	Left Connecting Plate	2
	DZ96219510308	Right Connecting Plate	2
	DZ96259510423	Cross Beam	1
	Q4501434	Cup Head Rivet	20

Dynamic System

Engine assembly



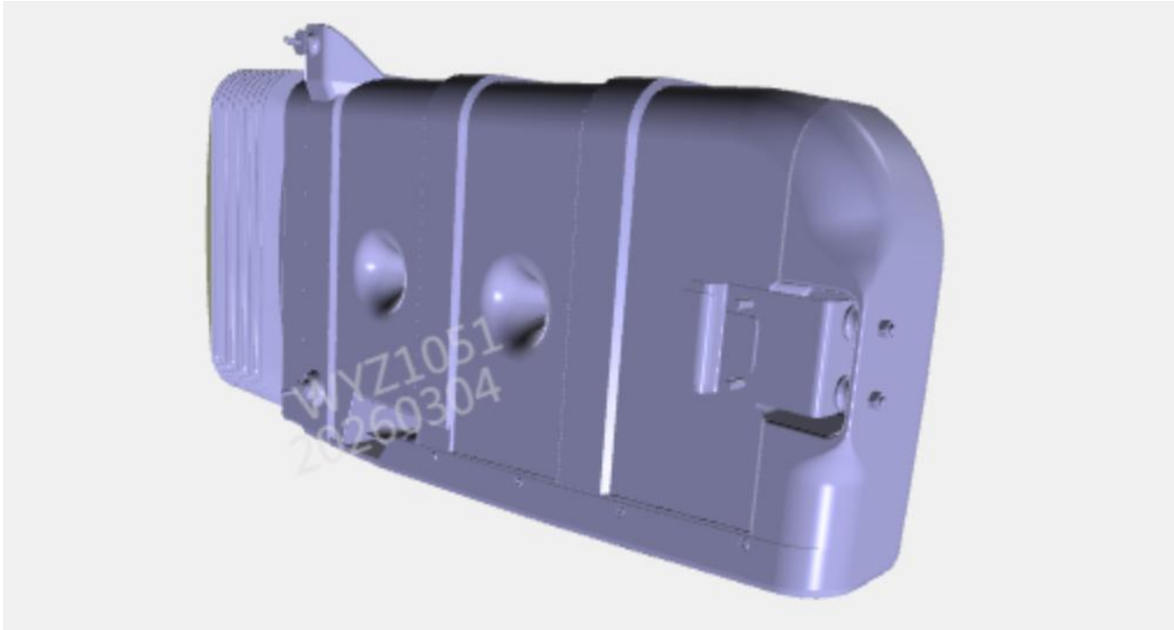
Reference number	Part Number	Part Name	quantity
1	DZ61109011503	Engine	1
2	DZ61139019001	燃油水寒宝/WP13/带水位传感器/1010503856	1
3	DZ95189712291	ECU/WEICHA1 WISE15	1

Air Intake System

Reference number	Part Number	Part Name	quantity
	DZ91149190014	X3000 Central Air Filter Intake Flat Pipe Sub Assembly	1
	DZ93259190220	Prefilter	1
	DZ93259190223	Clamp	1
	DZ93259190238	Coarse Filter Support Plate	1
	Q32010T2F60	Hexagon Nut	2
	Q1841025T1F31	Hexagon Flange Bolt	2
	DZ93259190078	Nozzle Bracket	1
	Q1841020T1F31	Hexagon Flange Bolt	1
	Q32010T2F60	Hexagon Nut	1
	Q1840616T1F31	Hexagon Flange Bolt	2
	DZ93259190076	Primary Filter Bracket Assembly	1
	DZ91259955111	Blanking Cap	1
	Q1841025T1F31	Hexagon Flange Bolt	4
	Q32010T2F60	Hexagon Nut	4
	Q1811465TF3	Toothed Bolt With Hexagon Flange Face	3
	06.11251.2005	Hexagon Nut With Flange/M7.112.40 M14*1.5-10-MAN183B1	3

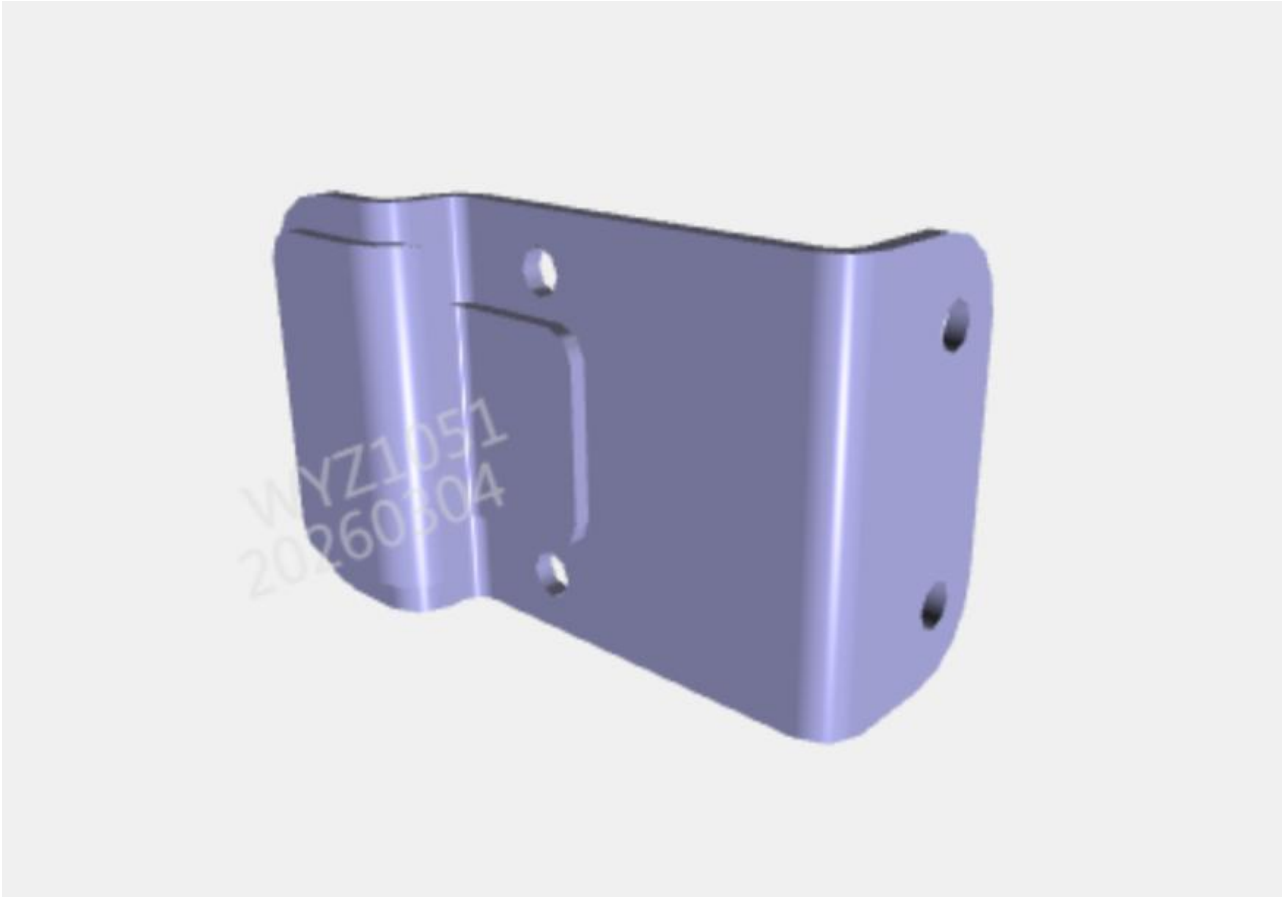
DZ93259190299	Prefilter Connection Pipe	1
DZ93259190223	Clamp	1
DZ93259190226	Rubber Gasket	1
DZ93259190289	Corrugated Elbow Tube	1
DZ93259190223	Clamp	1
DZ93259190221	Air Filter Assembly	1
DZ97189711320	Dry Air Filter Blockage Alarm Switch	1
DZ9003532166	T-Clamp	1
DZ95319190410	Air Filter Bracket Assembly	1
Q32010T2F60	Hexagon Nut	4
DZ97259195010	Air Filter Outlet Rubber Hose	1
DZ97259198012	Intake Steel Pipe Assembly	1
DZ93259190952	Air Intake Pipe Shock Pad	1
DZ93259190954	Clamp (S)	1
DZ9003532147	T-Type Clamp	1
DZ9003532115	T-Clamp	1
DZ96259194728	Intake Pipe Fixing Bracket	1
Q1840820T1F31	Hexagon Flange Bolt	2
Q1841030T1F31	Hexagon Flange Bolt	2
Q32010T2F60	Hexagon Nut	2

X3000 Central Air Filter Intake Flat Pipe Sub Assembly



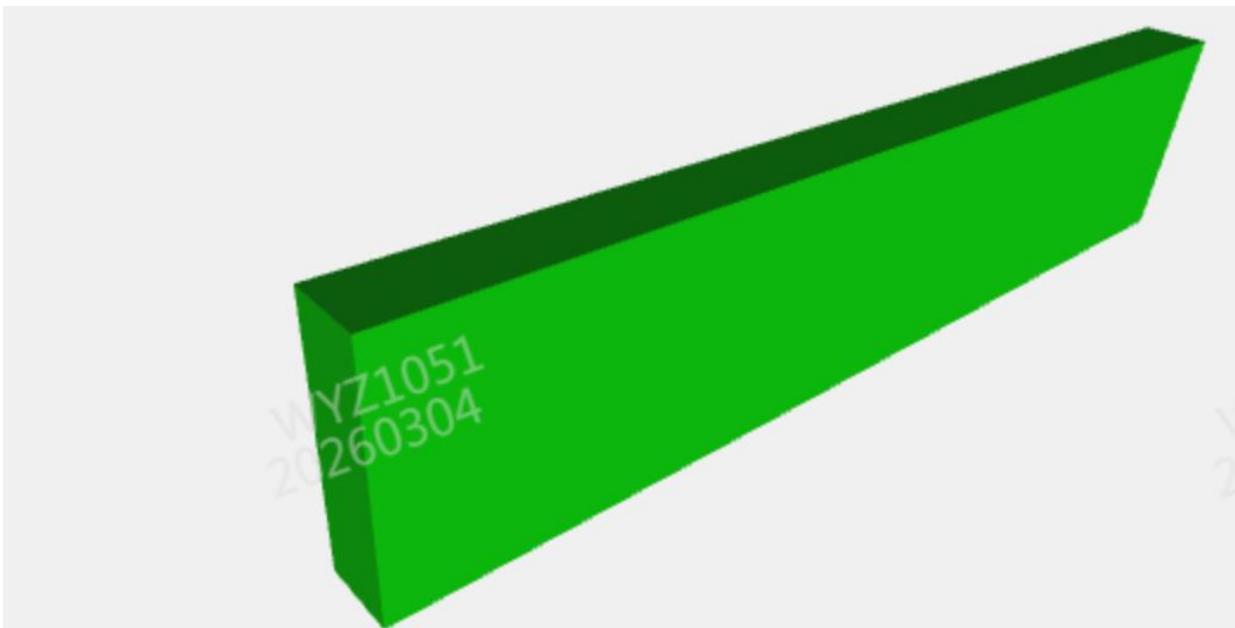
Reference number	Part Number	Part Name	quantity
	DZ93259190218	Air Intake Flat Pipe	1
	DZ97259190574	Fixed Bracket Assembly On Flat Tube	1
	81.96210.0289	Buffer Block	2
	Q33208T2F3	2 Type All Metal Hexagonal Lock Nut	4
	81.62940.5011	Bracket	1
	Q150B1025T1F3	Hexagon Head Bolt	2
	81.96210.0289	Buffer Block	2
	Q33208T2F3	2 Type All Metal Hexagonal Lock Nut	1
	DZ93259190219	Corrugated Elbow Tube	1
	DZ93259190222	Clamp	1

Fixed Bracket Assembly On Flat Tube



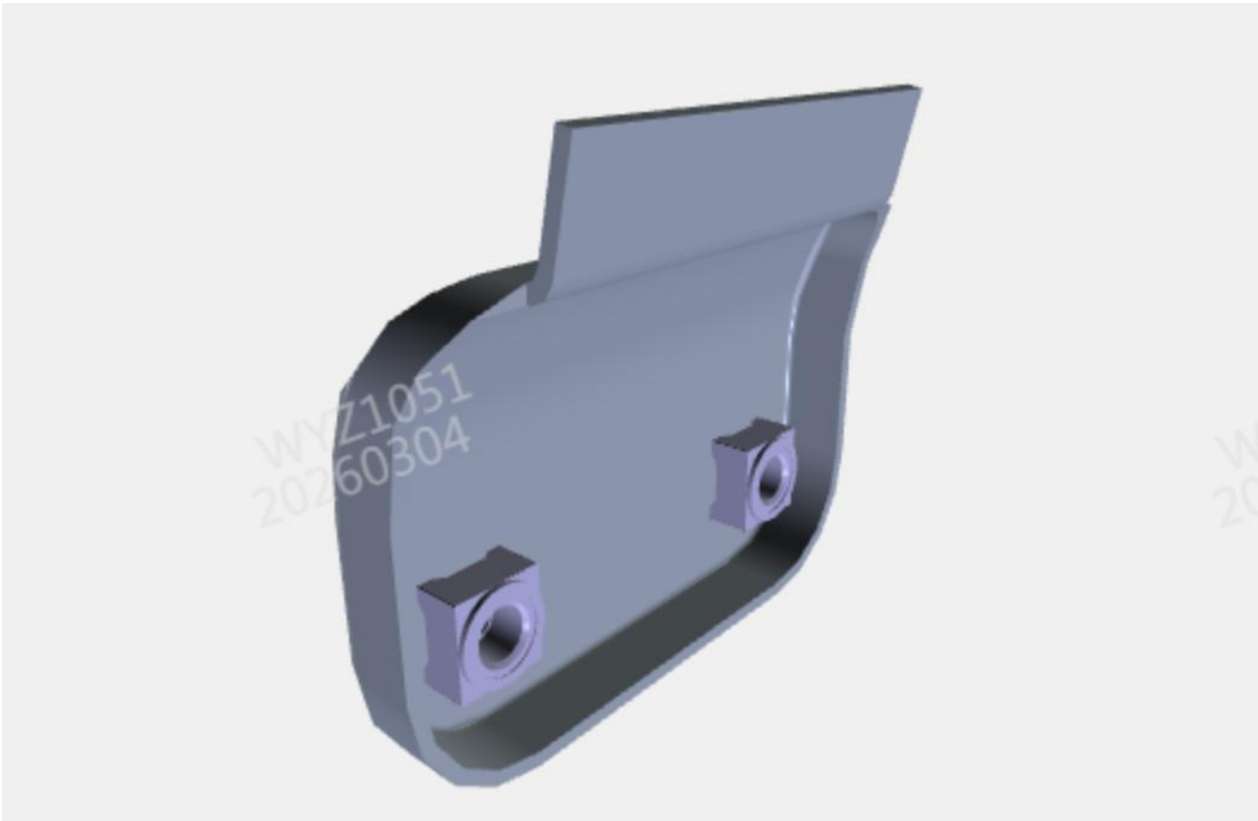
Reference number	Part Number	Part Name	quantity
	DZ97259190573	Flat Pipe Upper Bracket	1
	DZ9112196037	Lining Plate	1

Bracket



Reference number	Part Number	Part Name	quantity
	81.62940.2076	Clamp Pad (Work Light)	1
	81.62940.4017	Work Light Clamp Seat Assembly	1

Work Light Clamp Seat Assembly

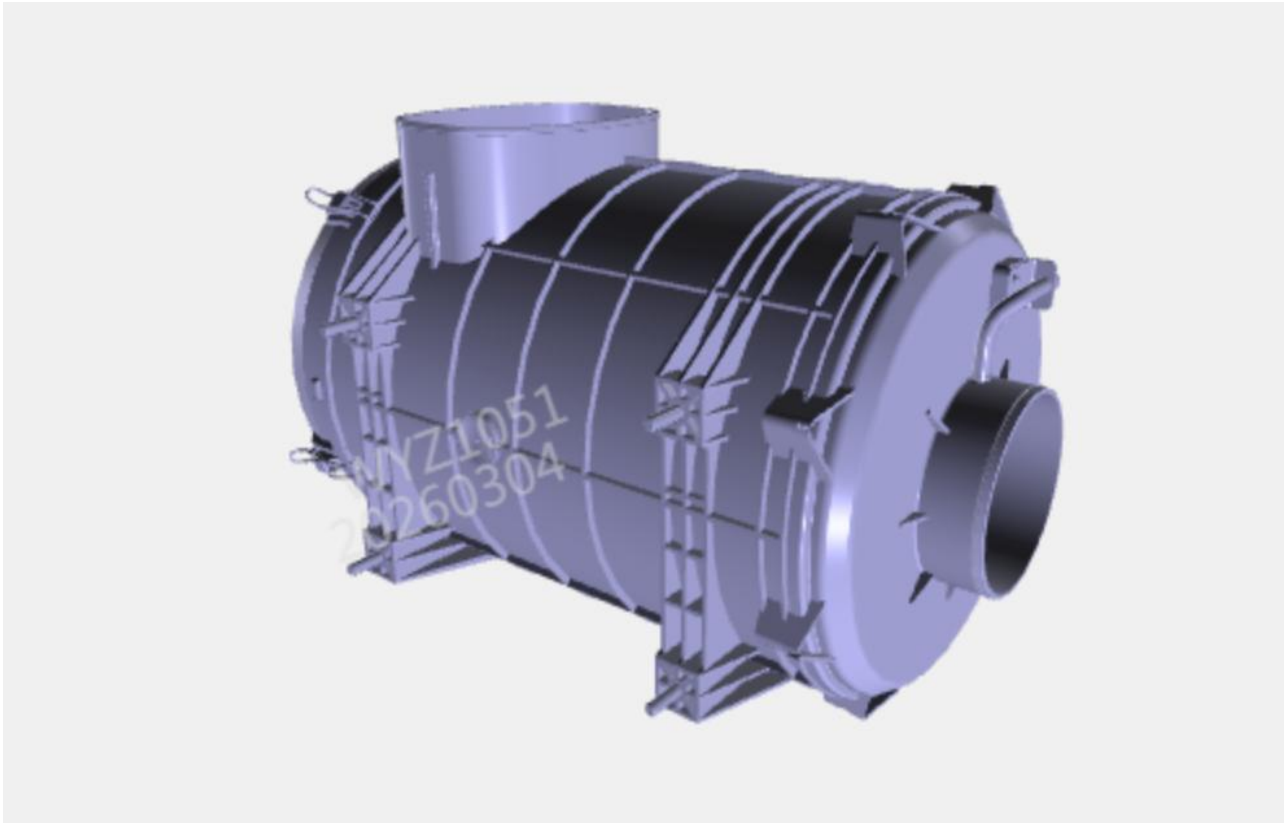


Reference number	Part Number	Part Name	quantity
	81.62940.2062	Work Light Clamp	1
	Q37110	Welding Square Nut	2

Primary Filter Bracket Assembly

Reference number	Part Number	Part Name	quantity
	DZ93259190072	Elbow Tube	1
	DZ93319190031	Fixed Plate	1
	DZ93259190309	Pad Cover	3

Air Filter Assembly

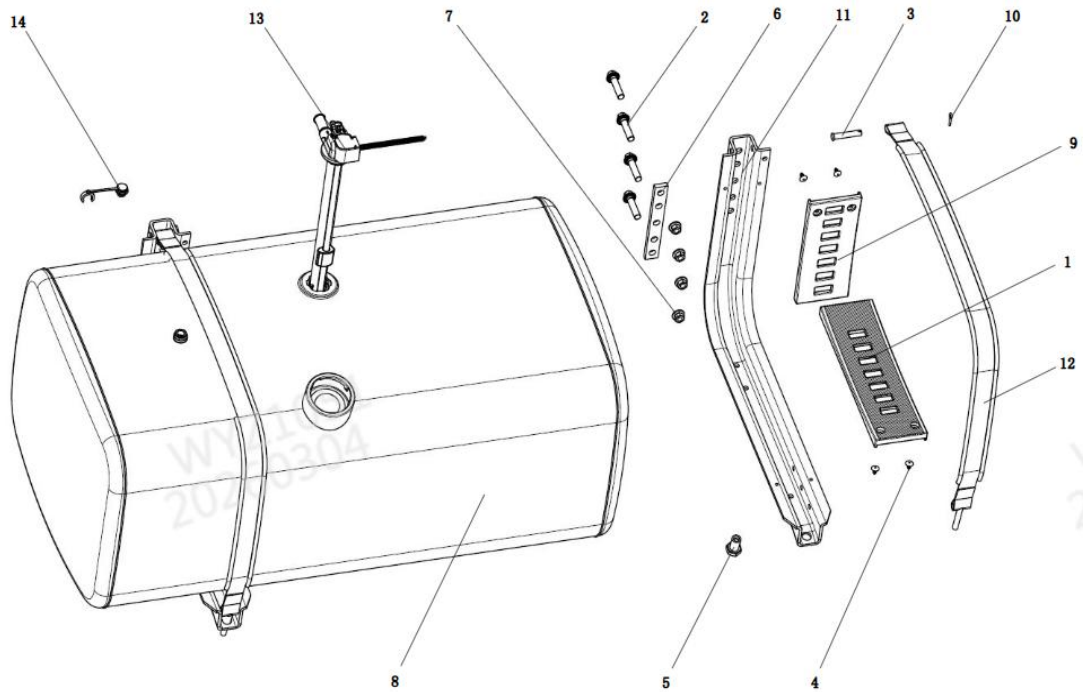


Reference number	Part Number	Part Name	quantity
	SZ919000958	Main Filter Element Assembly	1
	SZ919000959	Safety Filter Assembly	1

Intake Steel Pipe Assembly

Reference number	Part Number	Part Name	quantity
	DZ96259191258	Elbow Tube	1
	DZ97259198013	Turbocharger Intake Steel Pipe	1

Fuel Supply System



Reference number	Part Number	Part Name	quantity
1	DZ91189552039	Base Plate	2
2	Q1811460TF3	Toothed Bolt With Hexagon Flange Face	8
3	Q5101265	Axis Pin	2
4	81.96002.0333	Plug	8
5	DZ91189550396	Insert Type Nut	2
6	DZ91189554901	Base Plate	2
7	06.11251.2005	Hexagon Nut With Flange/M7.112.40 M14*1.5-10-MAN183B1	8
8	DZ91189554780	Aluminum Alloy Fuel Tank Assembly 38 (ISM)	1
9	81.41820.0129	Base Plate	2
10	Q5004020	Cotter Pin	2
11	DZ91189553760	Fuel Tank Bracket Assembly	2
12	DZ91259550702	Fastener&Pad Belt Assy/83/680 × Five Hundred And Twenty	2
13	DZ93189552021	Oil Sensor/505/16/Integrated	1
14	DZ97189550612	Plug	1

Fuel Tank Bracket Assembly

Reference number	Part Number	Part Name	quantity
	DZ91189553761	Fuel Tank Bracket	1

Urea Supply System

Reference number	Part Number	Part Name	quantity
	190003171697	Plastic Fastening Belt/A5×180 N05199**	32
	DZ95189777012	Threading Sheath (Φ 60)	3
	DZ95259540480	Urea Tank Water Pipe	1
	DZ95259740577	Threaded Four Lock One Urea Tank Cover	1
	DZ95319740002	Nozzle Water Pipe	1
	DZ96259740508	Urea Injection Pipe	1
	DZ97259740527	Urea Tank Return Pipe	1
	DZ97319740350	36L sensor sinking urea tank sub assembly	1
	Q67522	A-Type Worm Drive Hose Hoop	8
	SZ974000722	Nozzle Water Pipe	1
	DZ97259740352	Urea Filling Port Protective Cover	1

36L sensor sinking urea tank sub assembly

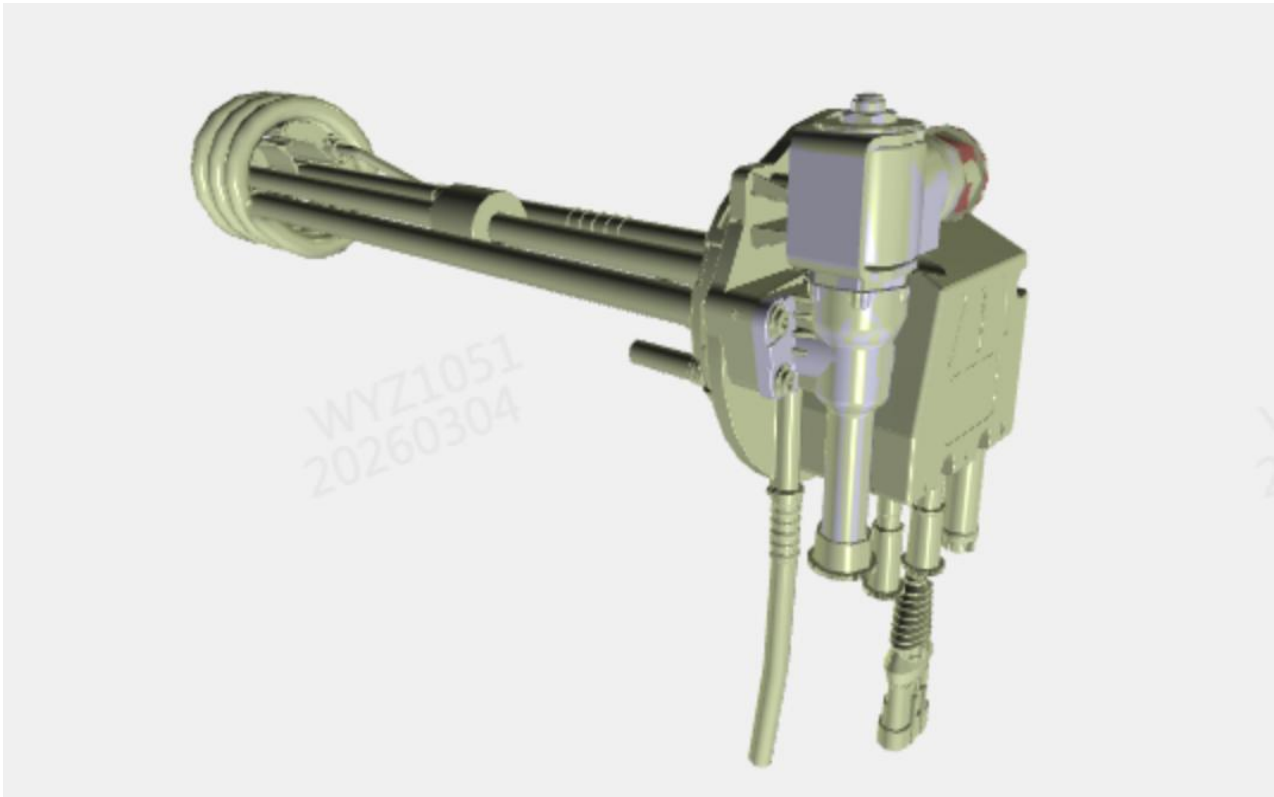
Reference number	Part Number	Part Name	quantity
	06.11251.2005	Hexagon Nut With Flange/M7.112.40 M14*1.5-10-MAN183B1	4
	Q1811470TF3	Toothed Bolt With Hexagon Flange Face	4
	81.90685.0396	Insert Type Nut	2
	DZ95259540350	Urea Pump (612640130088)	1
	DZ95259740382	Urea Box Bracket Assembly	2
	DZ95259740567	Water Valve Integrated Urea Tank Sensor	1
	DZ95259740572	36L Urea Tank Body	1
	DZ95259740739	Secure The Strap Pad	2
	DZ97259740309	Pump Bracket	1
	DZ96259740351	Urea Inlet Pipe (National Vi)	1
	DZ96259740352	Urea Return Pipe (National Vi)	1
	DZ96259741113	Fastener Gp	2
	DZ96319740311	Connecting Plate	1
	DZ97189774065	Urea Tank Module Harness (Wp/2.2 Pump/36L)	1
	DZ97319740302	Transition Bracket	1
	Q150B0890	Hexagon Head Bolt(Galvanized)	3
	Q33208T2F3	2 Type All Metal Hexagonal Lock Nut	3
	Q5004028	Split Pin	2
	Q5101255	Axis Pin	2

Urea Box Bracket Assembly



Reference number	Part Number	Part Name	quantity
	DZ95259740383	Blanking Cap	2
	DZ95259740384	Urea Tank Bracket	1

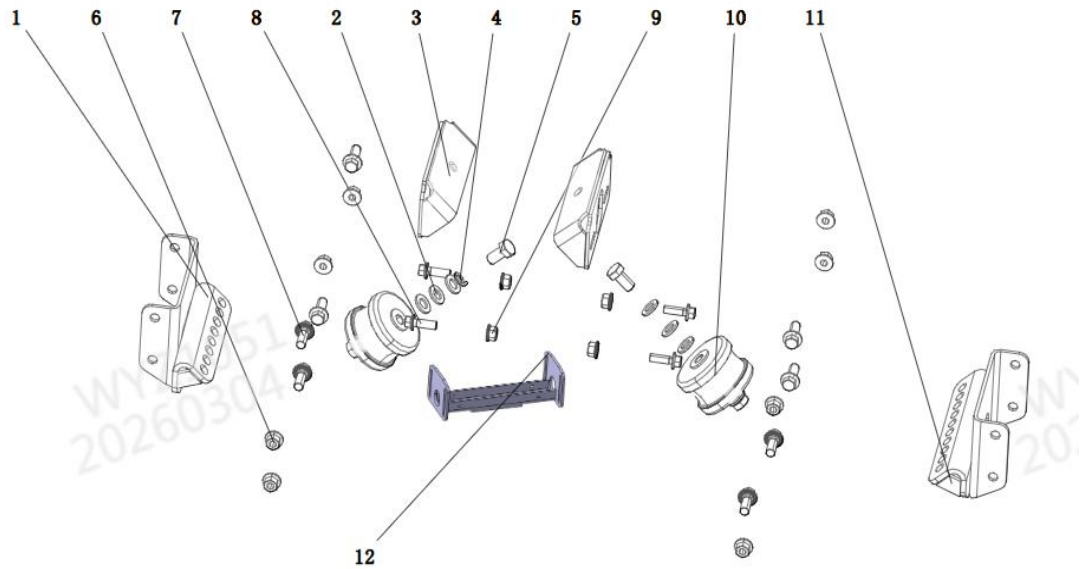
Water Valve Integrated Urea Tank Sensor



Reference number	Part Number	Part Name	quantity
	DZ95259740568	Urea Tank Liquid Level Sensor Body	1
	DZ97259740516	Integrated Electromagnetic Water Valve	1

Reference number	Part Number	Fastener Gp	Part Name	quantity
	DZ95259740338		Tightening Strap Bolt	1
	DZ95259740379		Fastening Strap	1

Transmission Suspension

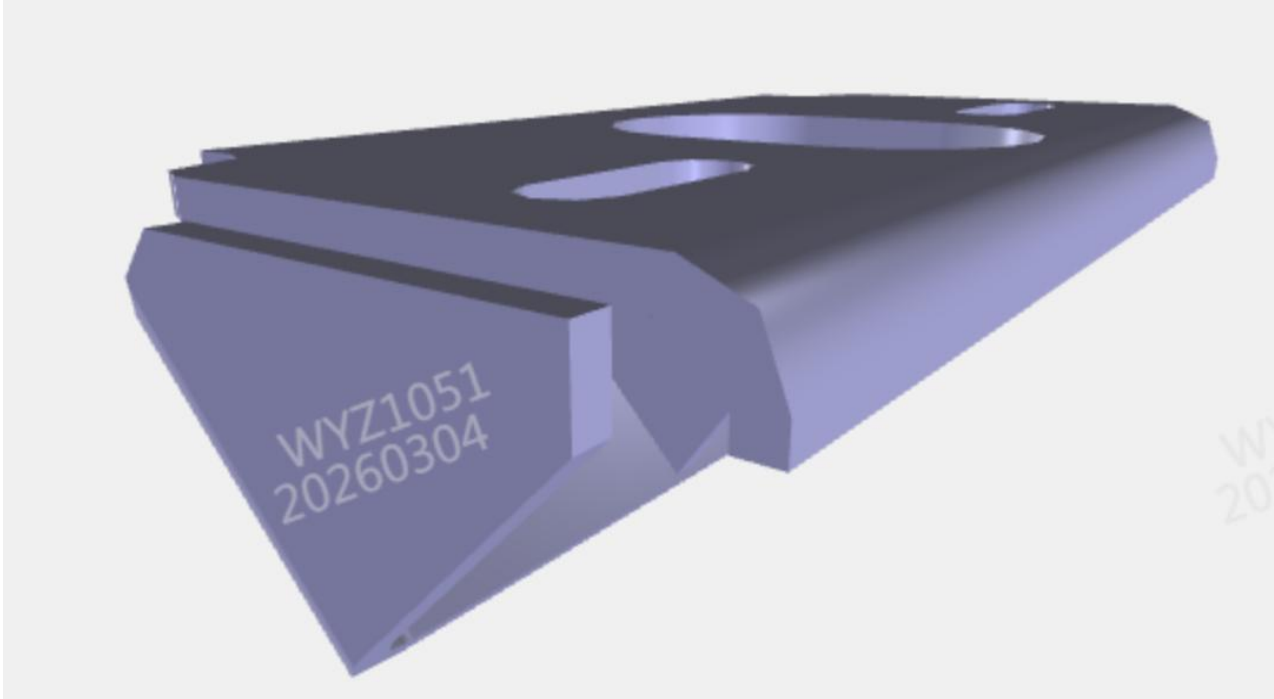


Reference number	Part Number	Part Name	quantity
1	DZ95259593013	Left Bracket Assembly	1
2	Q401B16	Flat Washer	10
3	81.41506.5269	Holding Bracket	2
4	Q40316	Elastic Washer	4
5	Q151B1630T1F3	Hexagon Head Bolt- Fine Thread	4
6	06.11251.2005	Hexagon Nut With Flange/M7.112.40 M14*1.5-10-MAN183B1	8
7	Q1811435TF3	Hexagon Flange Facing Toothed Bolt	8
8	Q1811235TF3	Toothed Bolt With Hexagon Flange Face	4
9	06.11251.2003	Hexagon Nut With Flange/M7.112.40 M14*1.5-10-MAN183B1	4
10	DZ93259590003	Rubber Buffer Block	2
11	DZ95259593003	Right Bracket Assembly	1
12	DZ95259594125	Cross Beam Assembly	1

Left Bracket Assembly

Reference number	Part Number	Part Name	quantity
	DZ95259593001	Connecting Plate	1
	81.41506.2723	Base Plate	1
	DZ95259593011	Bending Plate	1

Holding Bracket



Reference number	Part Number	Part Name	quantity
	81.41506.2505	Holding Bracket	1
	81.41506.2506	Orifice Plate	1
	81.41506.2518	Ribbed Plate	2

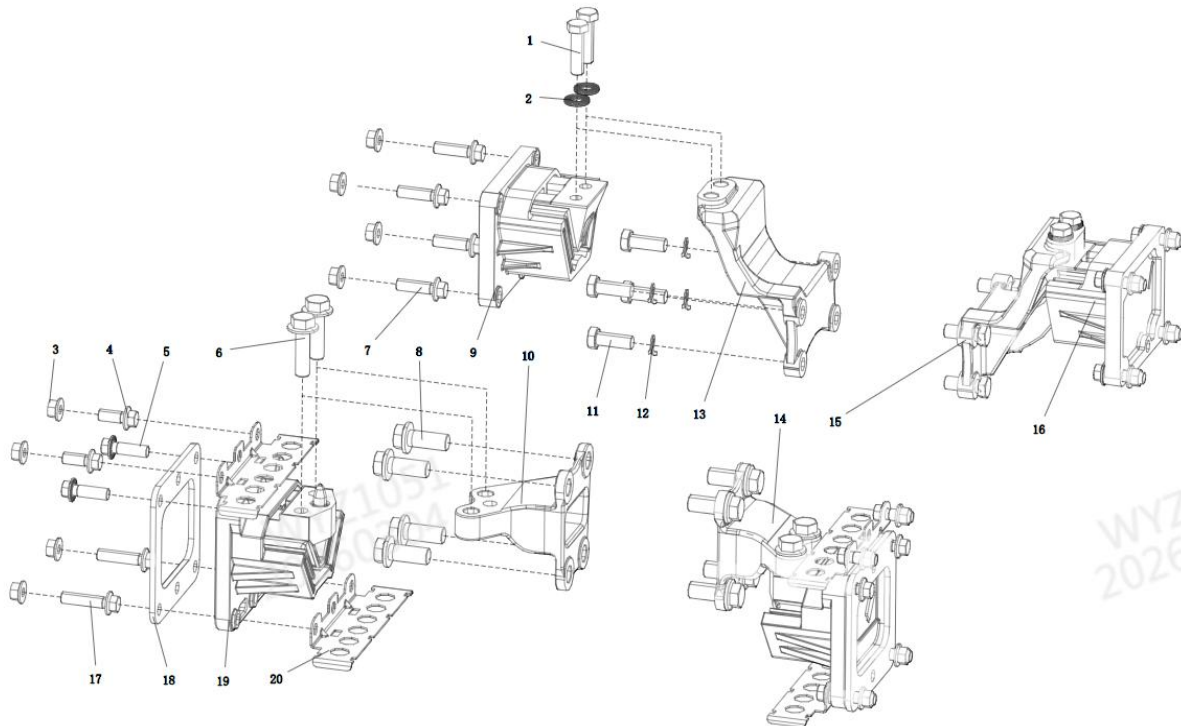
Right Bracket Assembly

Reference number	Part Number	Part Name	quantity
	DZ95259593001	Connecting Plate	1
	81.41506.2723	Base Plate	1
	81.41506.2724	Angle Plate	1

Cross Beam Assembly

Reference number	Part Number	Part Name	quantity
	DZ95259594126	Cross Beam	1
	DZ95259591009	Base Plate	1
	81.41205.2028	Connecting Plate	2

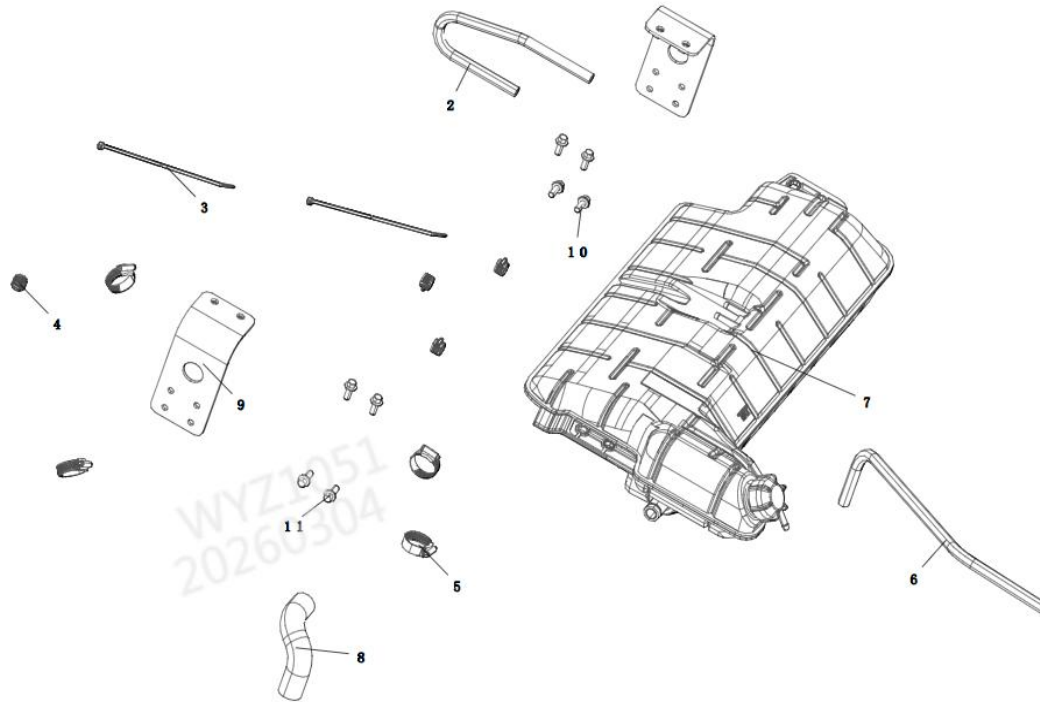
Engine Suspension



Reference number	Part Number	Part Name	quantity
	1 Q150B1655TF3	Hexagon Head Bolt	2
	1 Q150B1655TF3	Hexagon Head Bolt	2
	2 DZ97259590037	Lockwasher/M16	2
	2 DZ97259590037	Lockwasher/M16	2
	3 06.11251.2005	Hexagon Nut With Flange/M7.112.40 M14*1.5-10-MAN183B1	4
	3 06.11251.2005	Hexagon Nut With Flange/M7.112.40 M14*1.5-10-MAN183B1	4
	3 06.11251.2005	Hexagon Nut With Flange/M7.112.40 M14*1.5-10-MAN183B1	4
	3 06.11251.2005	Hexagon Nut With Flange/M7.112.40 M14*1.5-10-MAN183B1	4
	4 Q1811435TF3	Hexagon Flange Facing Toothed Bolt	4
	5 Q1811445TF3	Toothed Bolt With Hexagon Flange Face	4
	6 SXQ1851860TF3	Hexagon Flange Bolt	2
	6 SXQ1851860TF3	Hexagon Flange Bolt	2
	7 Q1811450TF3	Toothed Bolt With Hexagon Flange Face	4
	7 Q1811450TF3	Toothed Bolt With Hexagon Flange Face	4
	8 SXQ1842050TF3	Hexagon Flange Bolt	4
	8 SXQ1842050TF3	Hexagon Flange Bolt	4
	9 DZ96259592009	Left Front Damping Pad	1
	10 DZ96259590221	Engine Left Rear Bracket	1
	11 Q150B1645TF3	Hexagon Head Bolt	4
	11 Q150B1645TF3	Hexagon Head Bolt	4
	12 Q40316	Elastic Washer	4

12	Q40316	Elastic Washer	4
13	DZ96259592005	Engine Left Front Bracket	1
14	DZ96259590222	Engine Right Rear Bracket	1
15	DZ96259592006	Engine Right Front Bracket	1
16	DZ96259592010	Right Front Damping Pad	1
17	Q1811460TF3	Toothed Bolt With Hexagon Flange Face	4
18	DZ97259590124	Base Plate	2
19	DZ97259590209	Engine Damping Pad	2
20	DZ97259189717	Pipe Harness Fixing Bracket	4

Expansion Tank



Reference number	Part Number	Part Name	quantity
1	116100840033	Rubber Hose	1
2	DZ97259535092	Radiator Degassing Hose	1
3	DZ93189777161	Ordinary Narrow Cable Tie	1
3	DZ93189777161	Ordinary Narrow Cable Tie	1
4	190003989300	Hose Clamp	2
4	190003989300	Hose Clamp	2
5	190003989301	Hose Clamp	2
5	190003989301	Hose Clamp	2
6	DZ95259535204	Rubber Hose	1
7	DZ97259533031	Expansion Tank (Threaded cap)	1
8	DZ97259535061	Water Return Hose/Expansion Tank	1
9	DZ97259538197	Expansion Tank Bracket Assembly	1
9	DZ97259538197	Expansion Tank Bracket Assembly	1
10	Q1840820T1F31	Hexagon Flange Bolt	2
10	Q1840820T1F31	Hexagon Flange Bolt	2
10	Q1840820T1F31	Hexagon Flange Bolt	2
10	Q1840820T1F31	Hexagon Flange Bolt	2
11	Q401B08	Flat Washer	2
11	Q401B08	Flat Washer	2

Expansion Tank (Threaded cap)



Reference number	Part Number	Part Name	quantity
	4011108-DZ97259533031	4011108/Expansion box (threaded cover)	1

Expansion Tank Bracket Assembly



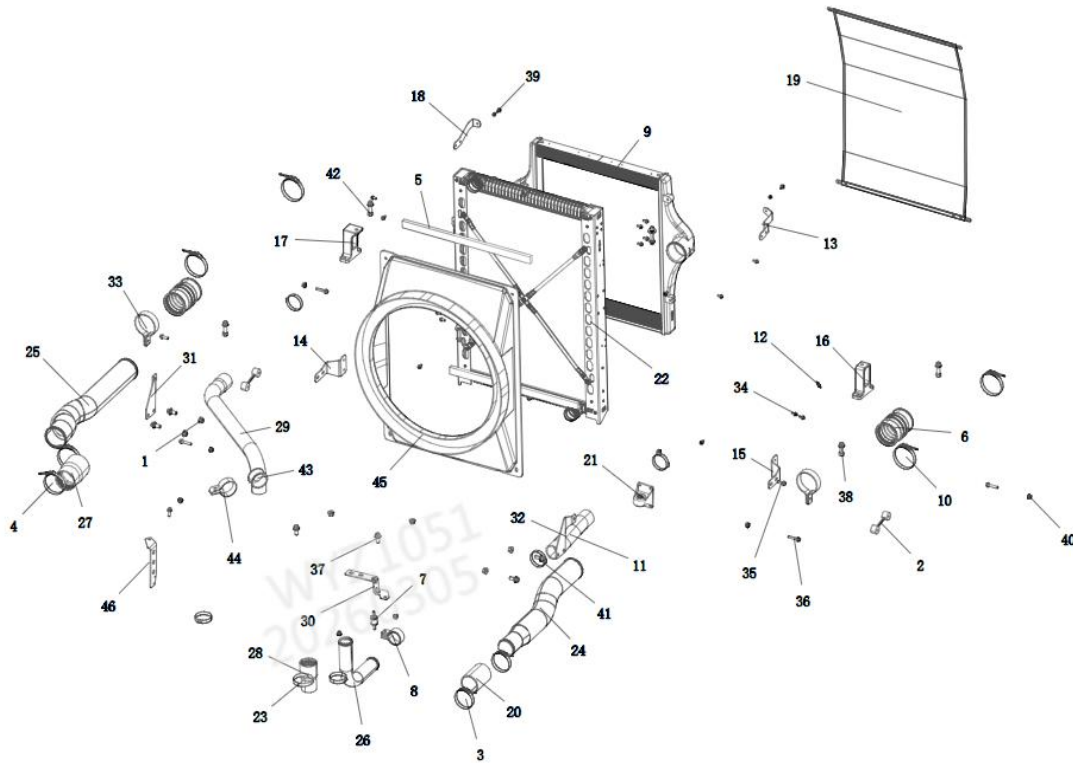
Reference number	Part Number	Part Name	quantity
	DZ97259538198	Expansion Tank Bracket	1
	Q370C08	Welded Hex Nut	2

Expansion Tank Bracket Assembly



Reference number	Part Number	Part Name	quantity
	DZ97259538198	Expansion Tank Bracket	1
	Q370C08	Welded Hex Nut	2

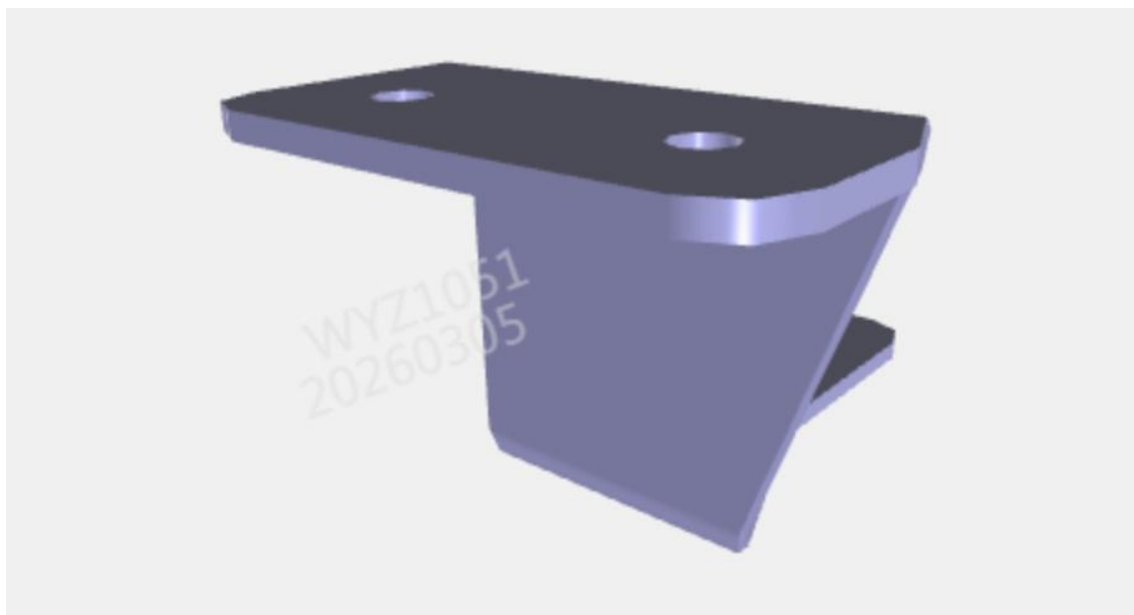
Cooling System



Reference number	Part Number	Part Name	quantity
1	06.11251.2005	Hexagon Nut With Flange/M7.112.40 M14*1.5-10-MAN183B1	2
1	06.11251.2005	Hexagon Nut With Flange/M7.112.40 M14*1.5-10-MAN183B1	2
1	06.11251.2005	Hexagon Nut With Flange/M7.112.40 M14*1.5-10-MAN183B1	2
2	81.06245.0043	Swing Bracket Assembly	2
3	DZ9003532093	T-Clamp	2
4	DZ9003532103	T-Clamp	1
5	DZ9114531012	Sponge Sealing Strip/680*35*17	2
6	DZ93259535303	Inner Fluorine Outer Silicone Hose	2
7	DZ93259537002	Buffer Block	1
8	DZ93259538605	Water Pipe Clip/φ60	1
9	DZ95259531502	Intercooler Assembly	1
11	DZ95259535508	Radiator Outlet Hose	1
12	DZ95259537001	Ring Spring	2
13	DZ95259537013	Right Mounting Bracket For Insect Net	1
14	DZ95259538809	Left Connecting Plate Assembly	1
15	DZ95259538810	Right Connecting Plate Assembly	1

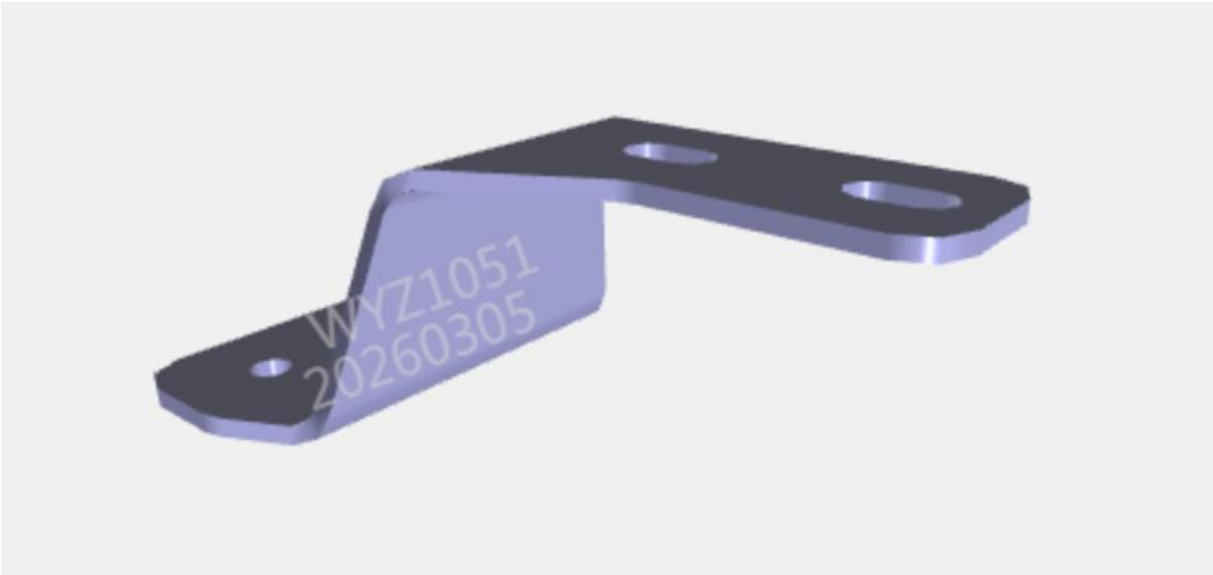
16	DZ97259538802	Radiator Right Cast Aluminum Bracket	1
17	DZ97259538801	Left Cast Aluminum Bracket For Radiator	1
18	DZ95259538926	Left Mounting Bracket For Insect Net	1
19	DZ95259538940	Insect Screen Assembly	1
20	DZ96259535063	Inner Fluorine Outer Silicone Hose	1
21	DZ97259531800	Radiator Support Bracket Assembly	2
22	DZ97259532041	Radiator Assembly	1
23	DZ97259533006	Lining Style American Style Clamp 89	1
24	DZ97259534002	Intercooler Intake Pipe	1
25	DZ97259534049	Intermediate Cooling Outlet Steel Pipe	1
26	DZ97259534051	Water Outlet Pipe	1
27	DZ97259535000	Reducing Silicone Hose	1
28	DZ97259535001	Reducing Silicone Hose	1
29	DZ97259535002	Radiator Water Inlet Rubber Hose	1
30	DZ97259538076	Bracket	1
31	DZ97259538142	Intercooler exhaust steel pipe support	1
32	DZ97259538143	Intercooler Air Intake Steel Pipe Bracket	1
33	DZ9H259538007	Intermediate Cooling Steel Pipe Fixing Clamp (Φ 100)	2
34	Q1840816T1F31	Hexagon Flange Bolt	14
35	Q1841030T1F31	Hexagon Flange Bolt	3
36	Q1841050T1F3	Hexagon Flange Bolt	4
37	Q1811430TF3	Hexagon Flange Facing Toothed Bolt	2
38	Q1811440TF3	Toothed Bolt With Hexagon Flange Face	2
39	Q33208T2F3	2 Type All Metal Hexagonal Lock Nut	2
40	Q33010	All Metal Hexagonal Flange Locking Nut- Galvanized	9
42	190003888620	Self-Locking Nut	2
42	190003888620	Self-Locking Nut	2
43	DZ93259535611	Rubber Sleeve	1
44	DZ93259538606	Pipe Clamp	1
45	DZ97259536095	Plastic Wind Shield	1
46	DZ97259538141	Water Intake Bracket	1

Left Connecting Plate Assembly



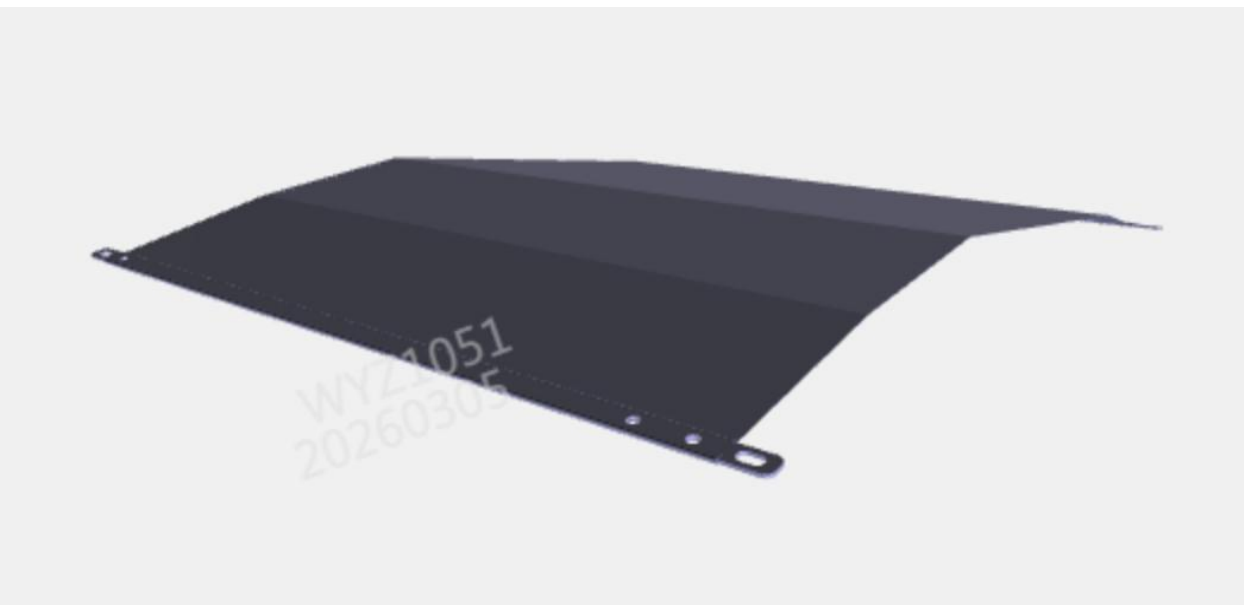
Reference number	Part Number	Part Name	quantity
	DZ95259538808	Left Connecting Plate	1

Right Connecting Plate Assembly



Reference number	Part Number	Part Name	quantity
	DZ95259538807	Right Connecting Plate	1

Insect Screen Assembly



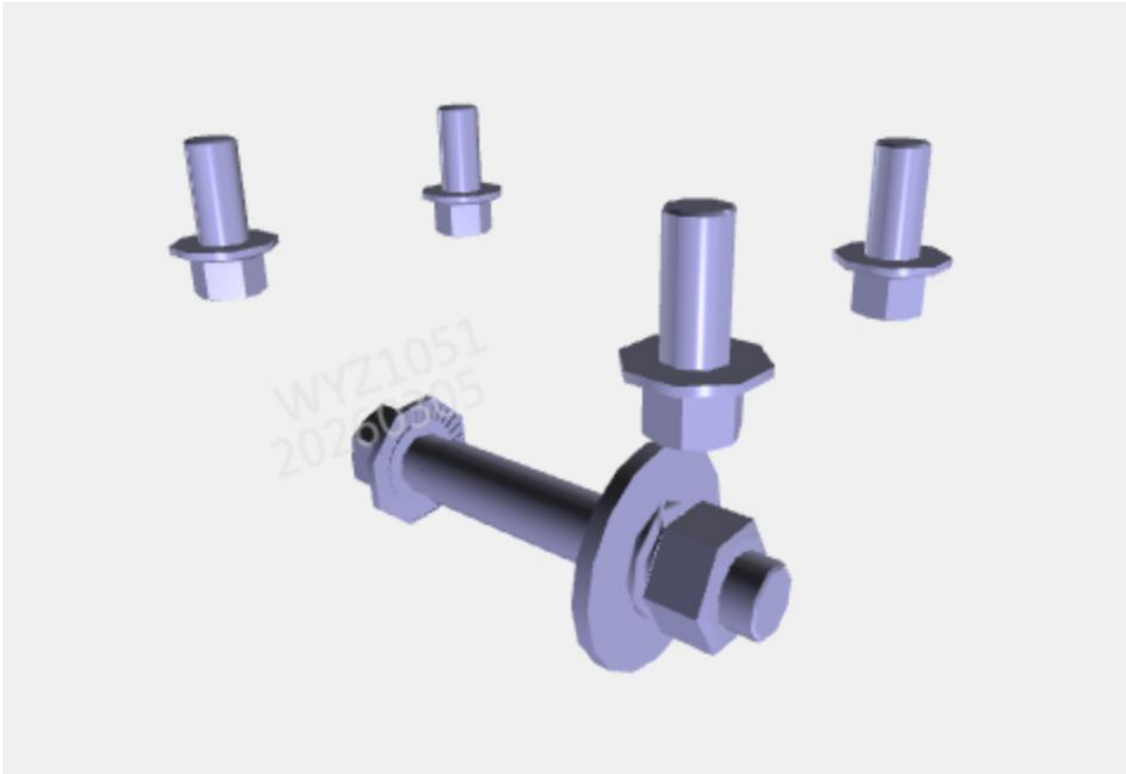
Reference number	Part Number	Part Name	quantity
------------------	-------------	-----------	----------

DZ95259538928
DZ95259538941

Lining Plate
Insect Prevention Net

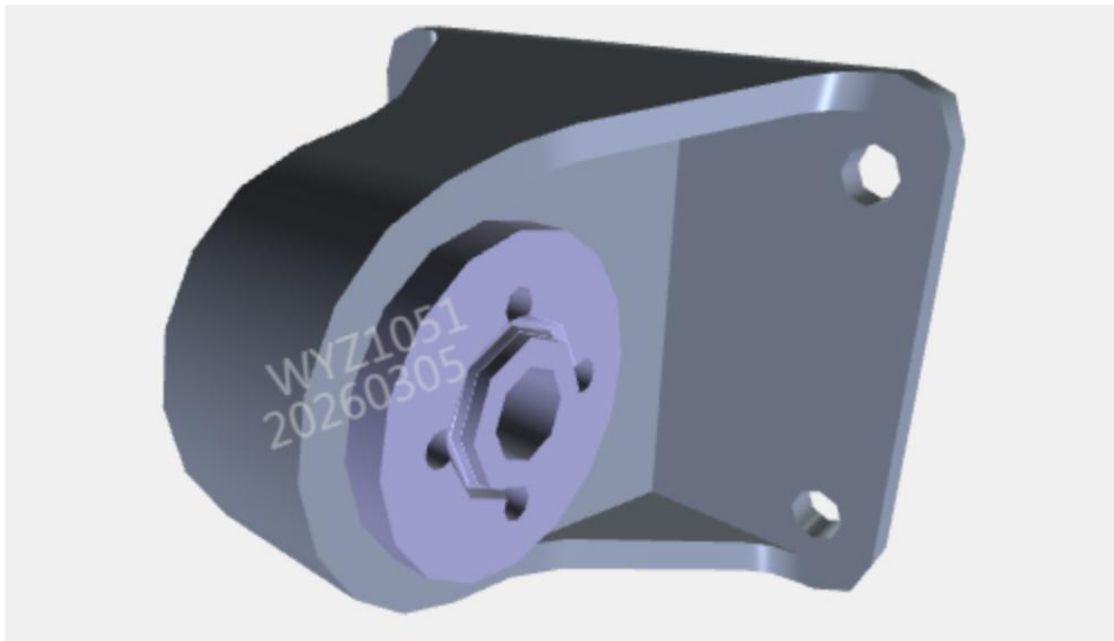
2
1

Radiator Support Bracket Assembly



Reference number	Part Number	Part Name	quantity
	Q402B12	Large Washer (Galvanized)	1
	Q40312	Spring Washer 190003931142	1
	Q341C12T2F3	Type 1 Hex Nut	1
	81. 06225. 6008	Radiator Support Bracket Assembly	1
	Q1811275TF3	Toothed Bolt With Hexagon Flange Face	1
	Q1840816T1F31	Hexagon Flange Bolt	4

Radiator Support Bracket Assembly

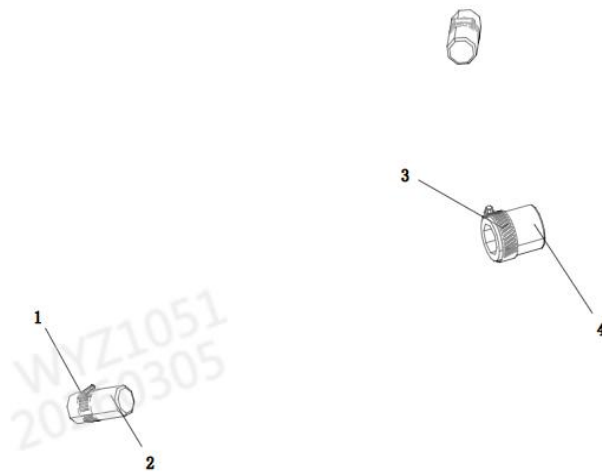


Reference number	Part Number	Part Name	quantity
------------------	-------------	-----------	----------

81.06225.0004
81.96210.0426

Radiator Bracket 1
Radiator Support Block 1

Engine Accessory



Reference number	Part Number	Part Name	quantity
1	190003989336	Hose Clamp	2
2	DZ61129020502	Plug Cap/ Φ 14	2
3	190003989301	Hose Clamp	1
4	DZ98389535041	Plug Cap	1

Exhaust System

Reference number	Part Number	Part Name	quantity
	06.11251.2005	Hexagon Nut With Flange/M7.112.40 M14*1.5-10-MAN183B1	16
	DZ9112540017	Sealing Washer	4
	DZ9112540058	Flexible Hose	1
	DZ91189550396	Insert Type Nut	2
	DZ95259540029	Sealing Washer	1
	DZ95259547085	EGP Bracket Assembly	2
	DZ95319540050	Clamp (S)	3
	DZ95319540051	Clamp (S)	3
	DZ95319540340	Exhaust Pipe Bracket	2
	DZ96259542692	Engine Adapter Tube	1
	DZ96259544050	Transition Bracket Assembly	1
	DZ96259544053	Insulation Hood Bracket	2
	DZ97259190411	Cushion Cover	6
	DZ97259540304	Fastener Gp	2
	DZ97319541208	Exhaust Pipe Bracket	1
	DZ9X259542086	Tail Tube Assembly	1
	DZ9X259544000	V-Clamp/Φ132	1
	DZ9X259544001	V-Shaped Clamp (Φ 150)	4
	DZ96259542647	Upper Thermal Shroud	1
	DZ96259542648	Side Heat Shield	1
	DZ97319542691	Exhaust Pipe Assembly II	1
	DZ97319542693	Exhaust Pipe Assembly 3	1
	DZ96259542689	WP10.5H National V Right Rear Processor	1
	DZ96259542649	Heat shield transition bracket assembly	2
	Q1811435TF3	Hexagon Flange Facing Toothed Bolt	9
	Q1811475TF3	Toothed Bolt With Hexagon Flange Face	6
	Q1840816T1F31	Hexagon Flange Bolt	16
	Q1841030T1F31	Hexagon Flange Bolt	4
	Q33010	All Metal Hexagonal Flange Locking Nut-	9
	Q402B08	Large Washer (Galvanized)	4
	Q5004020	Cotter Pin	2
	Q5101265	Axis Pin	2
	Q1841040T1F31	Hexagon Flange Bolt	2
	Q1841045	Hexagon Flange Bolt	1
	Q1841035T1F31	Hexagon Flange Bolt	1

EGP Bracket Assembly

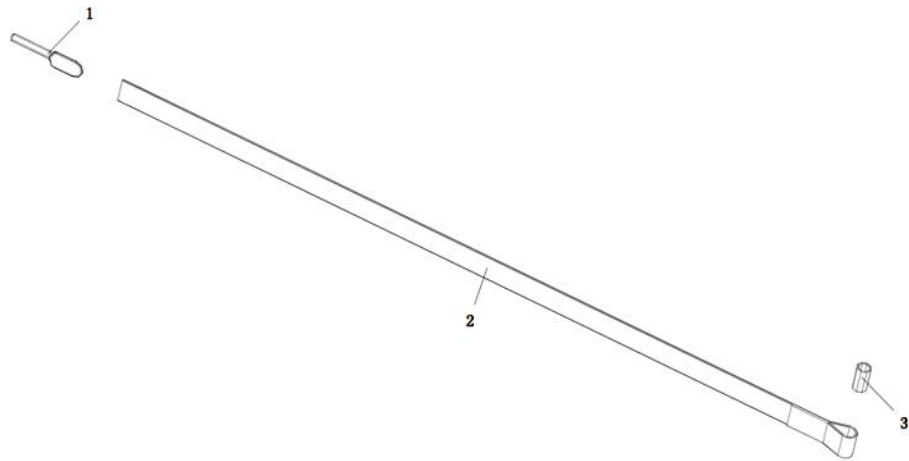


Reference number	Part Number	Part Name	quantity
	DZ95259541225	Cushion Block	4
	DZ95259547087	EGP Bracket	1
	DZ95259541226	Cushion Block	4

Transition Bracket Assembly

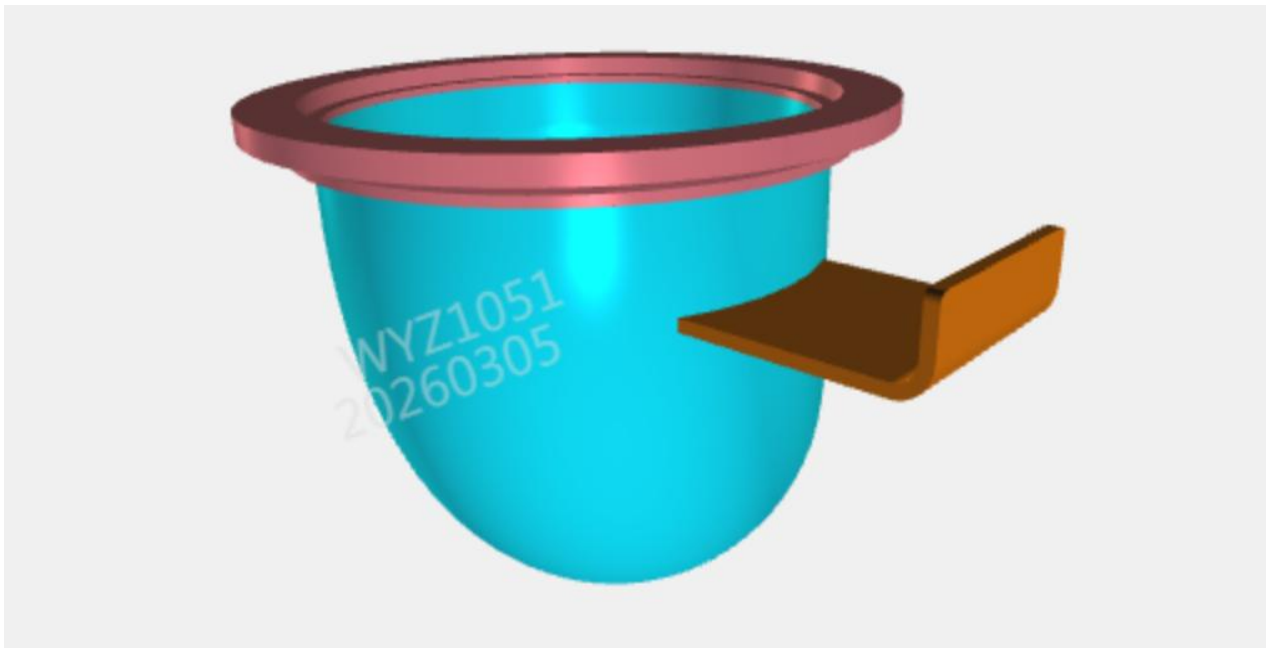
Reference number	Part Number	Part Name	quantity
	DZ96259544051	Transition Bracket	1
	DZ96259544052	Strengthened Plate	2
	DZ97259541033	Strengthened Rib/II	2

Fastener Gp



Reference number	Part Number	Part Name	quantity
1	DZ97259540305	Tightening Bolt	1
2	DZ97259540306	Strap Strap	1
3	DZ95259540510	Bush	1

Tail Tube Assembly



Reference number	Part Number	Part Name	quantity
	DZ9X259542085	National VI Takeover (Φ 150)	1
	DZ9X259542087	Exhaust Pipe	1
	DZ9X259542191	Welding Bracket	1

Exhaust Pipe Assembly II

Reference number	Part Number	Part Name	quantity
	DZ93189540060	Take Over	2
	DZ97319542690	Exhaust Pipe II	1

Exhaust Pipe Assembly 3

Reference number	Part Number	Part Name	quantity
	DZ93189540060	Take Over	1
	DZ9H259540507	Connecting Pipe (120-139)	1
	DZ97319542692	Exhaust Pipe 3	1

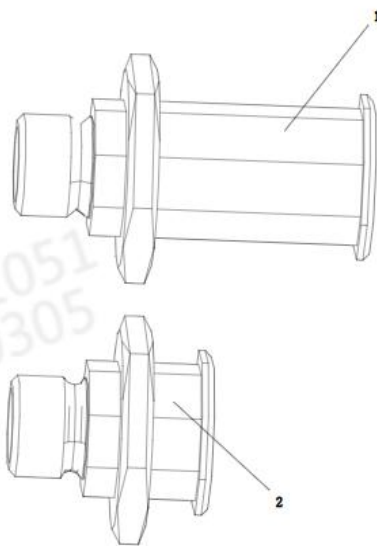
WP10.5H National V Right Rear Processor Assembly

Reference number	Part Number	Part Name	quantity
	DZ95189711004	Nox Sensor (Wp Series)	1
	DZ95259540355	Injection Unit	1
	DZ96259542688	WP10.5H National V Right Rear Processor	1
	SZ971000711	Environmental Temperature Sensor (Wp Series)	1

Heat shield transition bracket assembly

Reference number	Part Number	Part Name	quantity
	DZ96259542650	Transition bracket for heat shield	1
	Q37108	Welding Square Nut	3

Fuel accessory engine oil pipe



Reference number	Part Number	Part Name	quantity
1	DZ97189550622	Transit Joint(NG12)/Length	1
2	DZ97189550607	Transition Joint/NG12	1

Fuel Pipeline

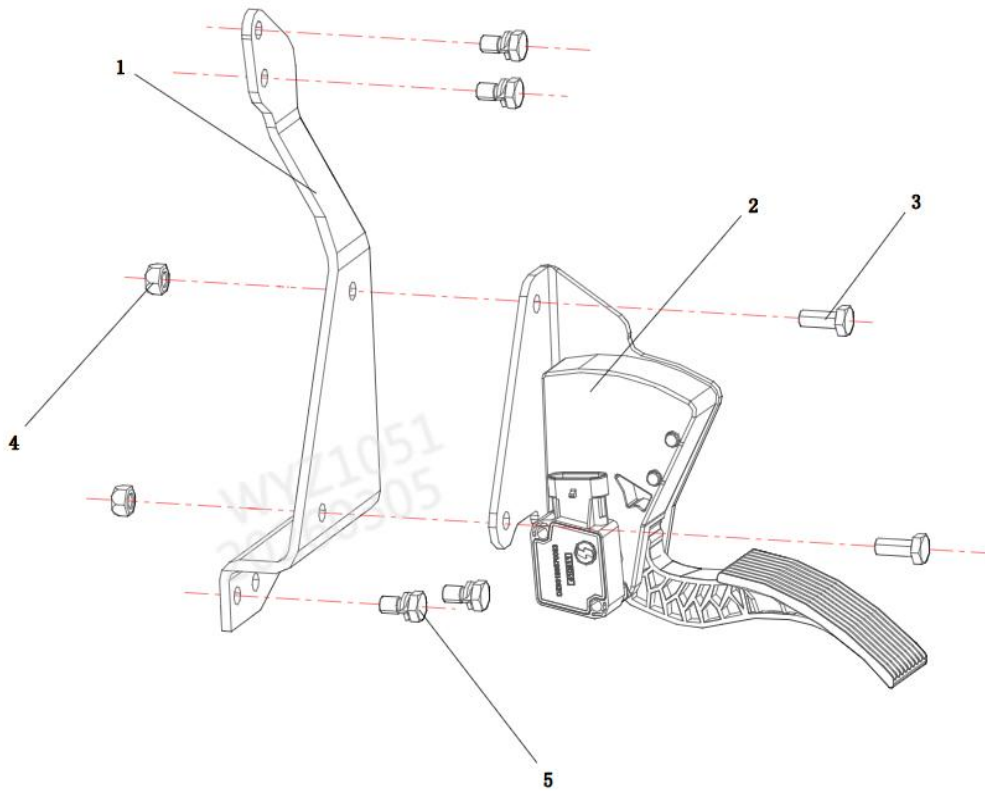
Reference number	Part Number	Part Name	quantity
	DZ91189556001	Oil Pipe	1.9
	DZ91189556001	Oil Pipe	2.5
	DZ91189556001	Oil Pipe	3.9
	190003179781	Polyamide Pipe Pa11-8 × 1 Qc/T80-1993	0.5
	DZ95189550132	Primary Filter Bracket Assembly	1
	Q1811440TF3	Toothed Bolt With Hexagon Flange Face	2
	06. 11251. 2005	Hexagon Nut With Flange/M7.112.40 M14*1.5-10-MAN183B1	2
	Q1811245TF3	Toothed Bolt With Hexagon Flange Face	2
	06. 11251. 2003	Hexagon Nut With Flange/M7.112.40 M14*1.5-10-MAN183B1	2
	DZ97189550603	Hose Joint/16×2	2
	DZ97189550604	Hose Joint/16×2	4
	DZ97189550607	Transition Joint/NG12	1
	DZ97189550622	Transit Joint(NG12)/Length	1
	DZ9L149778015	Z-Bracket (High, Mount M14)	1
	Q1811440TF3	Toothed Bolt With Hexagon Flange Face	1
	06. 11251. 2005	Hexagon Nut With Flange/M7.112.40 M14*1.5-10-MAN183B1	1
	DZ95189777012	Threading Sheath (Φ 60)	2
	DZ93189777168	Septal Cable Tie	7
	DZ9X259126120	Bidirectional Isolation Tie	7

Primary Filter Bracket Assembly



Reference number	Part Number	Part Name	quantity
	DZ95189550133	Coarse Filter Bracket	1
	DZ9112555124	Small Reinforcement Plate	1
	DZ92189550025	Strengthened Rib	1

Throttle Control



Reference number	Part Number	Part Name	quantity
1	DZ9100570104	Accelerator Pedal Bracket	1
2	DZ97189570283	Accelerator Pedal Assembly	1
3	Q150B0820T1F3	Hexagon Head Bolt	2
4	Q33208T2F3	2 Type All Metal Hexagonal Lock Nut	2
5	SXQ1420816T1F60	Hexagon Head Bolt And Single Coil Spring Lock Washer Assemblies	4

Drive System

Transmission

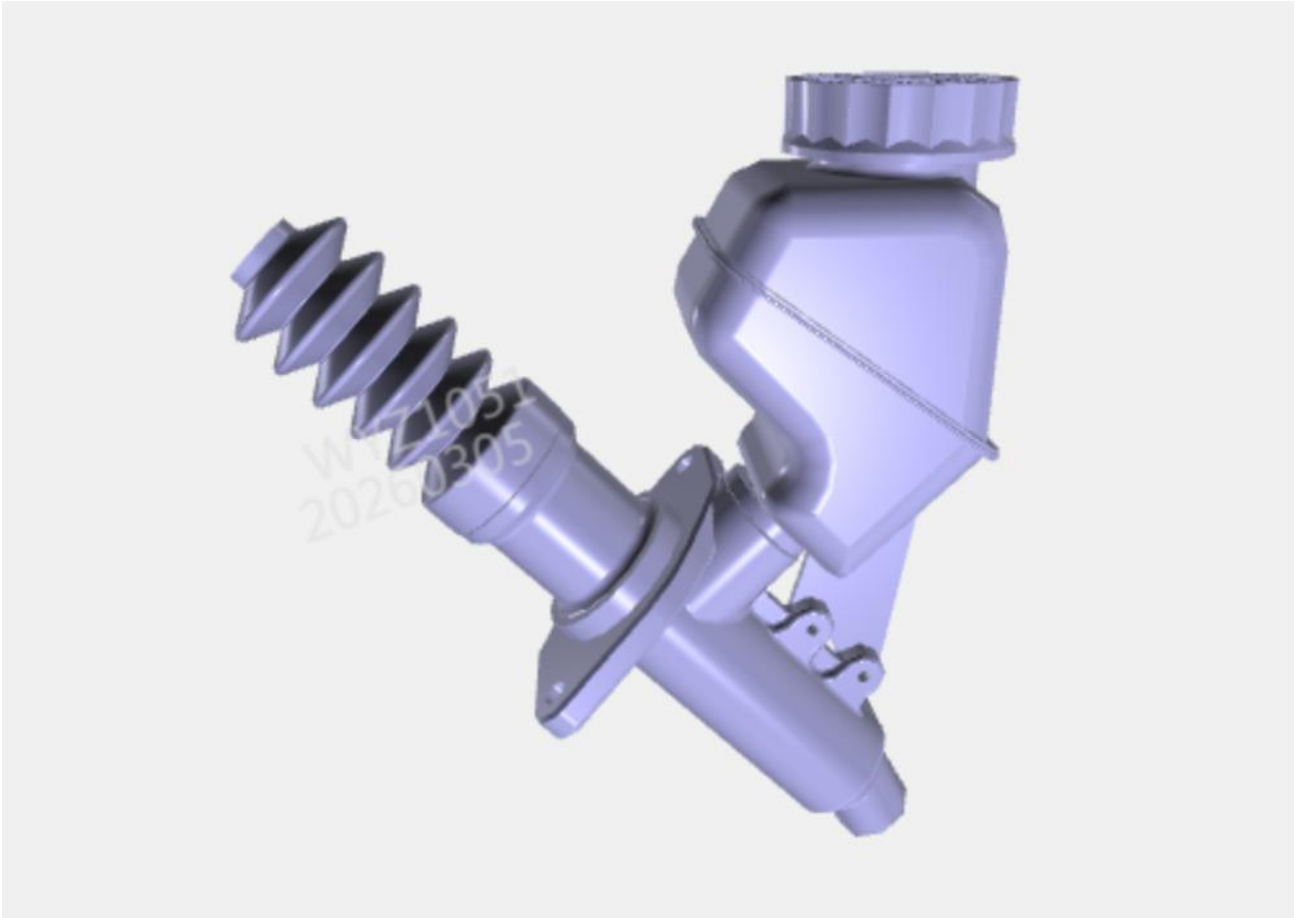
Reference number	Part Number	Part Name	quantity
	DZ97189220535	Transmission/MT/12th/12JSD200TA-B (LHD/Aluminum/SAE1/QH50 Spline/180 End Face Teeth/Iron/983.4)	1

Clutch Operation



Reference number	Part Number	Part Name	quantity
1	SXQ146B0820T1F60	Hexagon Head Bolt, Spring Washer And Plain Washer Assembly	1
2	81.31140.0018	Oil Tube Bracket	1
3	Q146B0825T1F60	Hexagon Head Bolt, Spring Washer And Plain Washer Assembly	8
4	DZ93189230090	Clutch Master Cylinder And Reservoir Assembly	1
5	DZ93259230001	Pedal Mechanism Assembly	1
6	DZ96259230420	Clutch Oil Pipe	1
7	Q150B1030T1F3	Hexagon Head Bolt	4
8	Q40310	Spring Washer 190003931122	4
9	DZ9112230178	Clutch Slave Cylinder	1
10	Q72314T5F	Seal Gasket	2
11	190003962621	Hollow Bolt	1

Clutch Master Cylinder And Reservoir Assembly



Reference number	Part Number	Part Name	quantity
	DZ93189230091	Clutch Master Cylinder	1
	DZ93189230092	Liquid Storage Tank	1

Pedal Mechanism Assembly

Reference number	Part Number	Part Name	quantity
	06. 07069. 0007	Hexagonal Head Self Tapping Bolt/M8×16	4
	81. 97640. 0273	Spring Clip	2
	06. 29050. 0116	Washer	2
	81. 96020. 0369	Rubber Pad	2
	81. 91020. 0611	Threaded Pin	1
	DZ93189360038	Roof Rod Seat	1
	Q43680	Open Retaining Ring*	1
	81. 48240. 0270	Brake Light Switch Bracket	1
	81. 97640. 0273	Spring Clip	1
	81. 97680. 0019	Spring Seat	1
	06. 46081. 6338	Compression Spring	1

81.91020.0611	Threaded Pin	1
Q43680	Open Retaining Ring*	1
81.96601.0659	Gasket	1
81.96002.0130	Sealing Plug	1
DZ93189230106	Seat Plate	1
81.48225.5118	Clutch Pedal Assembly	1
81.48227.0006	Pedal Dust Cover	2
81.48235.5042	Brake Pedal Assembly	1
81.48240.0327	Sensor Bracket	1
81.92201.0093	Plug	2
81.96002.0130	Sealing Plug	1
81.96002.0384	Screw Plug	1
81.48210.0033	Step Axis	1
06.15114.0418	Adjusting Washer 108000320046Y01	2
DZ95189230039	Tappet Assembly	1
DZ95189360037	Ejector Pin	1
Q150B0825T1F3	Hexagon Head Bolt	11
Q340B08T2F3	Type 1 Hex Nut	2
Q401B08	Flat Washer	9
Q40308	Spring Washer 190003931102	9
Q340B10T2F3	Type 1 Hex Nut	2

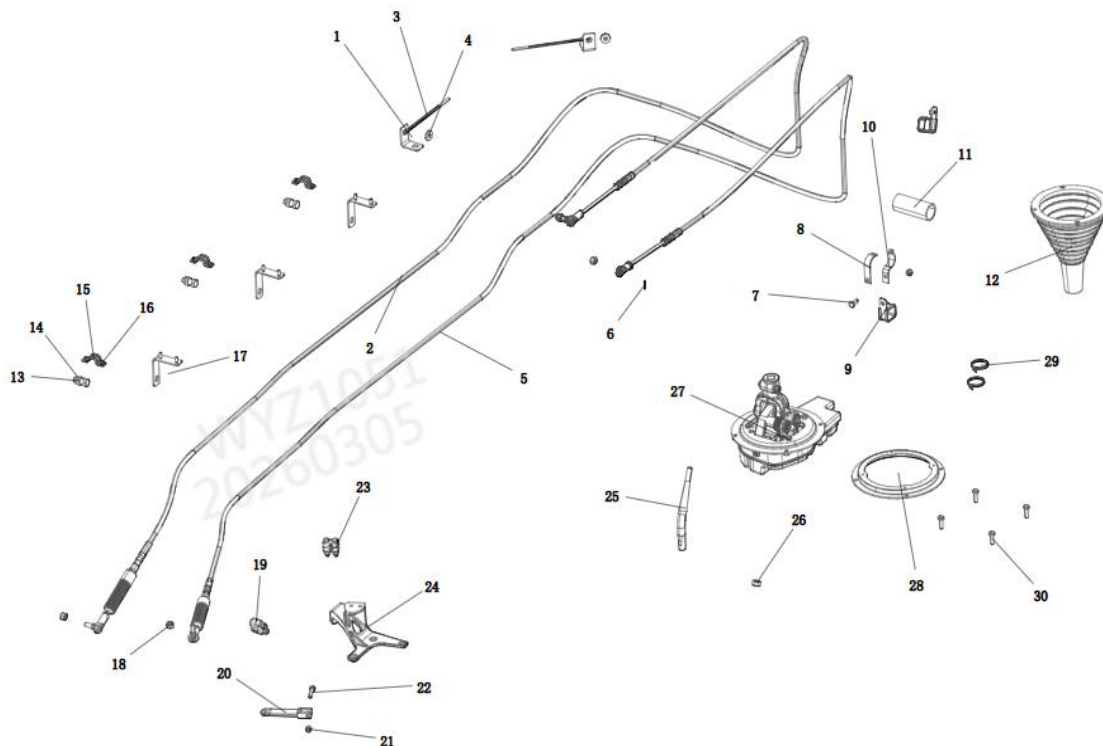
Clutch Pedal Assembly

Reference number	Part Number	Part Name	quantity
	81.48225.2106	Clutch Pedal (RHD)	1
	81.94289.2020	Pipe	1
	81.48235.2083	Connectors	1
	81.48225.2093	Pedal Lever	1
	81.48225.2094	Pedal	1

Brake Pedal Assembly

Reference number	Part Number	Part Name	quantity
	81.48235.2079	Brake Pedal/RHD	1
	81.94289.2019	Sleeve Pipe	1
	81.48235.2074	Pedal Arm	1
	81.48235.2080	Brake Pedal Clip	1
	81.48225.0029	Ball Pin	1
	81.48225.2094	Pedal	1

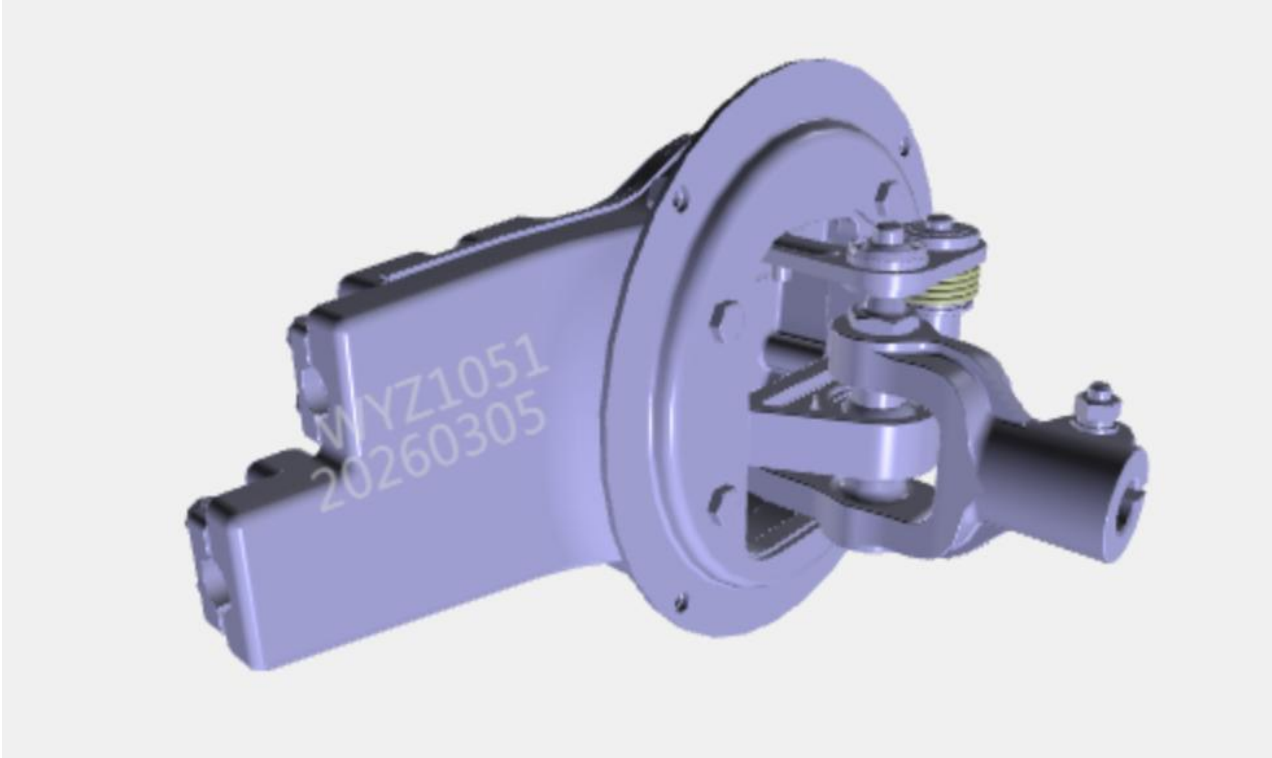
Transmission Operating System



Reference number	Part Number	Part Name	quantity
	Q1840840T1F31	Hexagon Flange Bolt	4
	Q340B06F60	Type 1 Hex Nut	4
	06.11251.2003	Hexagon Nut With Flange/M7.112.40 M14*1.5-10-MAN183B1	2
2	DZ97259240654	Shift Flexible Shaft Assembly	1
3	DZ96319240525	Rocker Arm/Gear Selection	1
5	DZ97259240655	Gear Selection Flexible Shaft Assembly	1
6	Q5002020	Cotter Pin	1
7	Q1811230TF3	Toothed Bolt With Hexagon Flange Face	2
8	DZ98189240220	Flexible Shaft Clamp	2
9	DZ96319240524	Fixing Bracket/Gear Selection And Shift Flexible Shaft	1
10	199100360134	Spacer Ring	2
11	DZ91189712201	Insulation Sheath (40cm)	1
12	DZ93259360004	Sheath	1
13	DZ97259240408	Control Rod (X3000/F3000/M12/RH)	1
14	DZ96259240132	Q-Type Clamp	1
16	Q340B12T13F3	Type 1 Hex Nut	1
17	DZ97259240717	L-Shaped Bracket With Welded Stud Assembly	2
18	Q33208T2F3	2 Type All Metal Hexagonal Lock Nut	2
18	Q33208T2F3	2 Type All Metal Hexagonal Lock Nut	1
18	Q33208T2F3	2 Type All Metal Hexagonal Lock Nut	4
19	DZ98189240217	Flexible Shaft Clamp Block	4

21	Q33210T2F3	2 Type All Metal Hexagonal Lock Nut	3
22	Q1840835T1F31	Hexagon Flange Bolt	1
27	DZ96319240356	Manipulator Assembly(X3000 Double)	1
28	DZ96319240526	Manipulator Cab Mounted Plate	1
29	DZ93189777161	Ordinary Narrow Cable Tie	4
30	Q150B0825T1F3	Hexagon Head Bolt	4

Manipulator Assembly(X3000 Double)



Reference number	Part Number	Part Name	quantity
	DZ96319240355	Manipulator (X3000 Double)	1
	DZ96319240354	Lower Dust Cover	1

Dust Cover

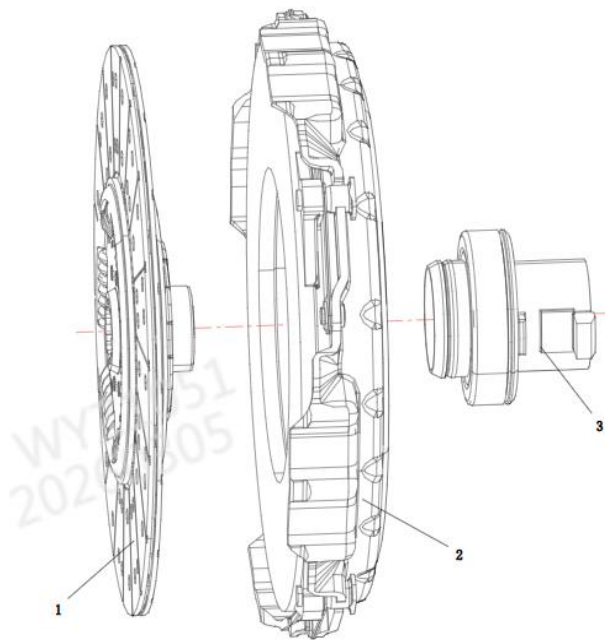


Reference number	Part Number	Part Name	quantity
1	DZ95259240342	Dust Cover Assembly	1

Transmission Shift Lever Ball

Reference number	Part Number	Part Name	quantity
	Q40312	Spring Washer 190003931142	1
1	DZ96189240570	Transmission Shift Lever Ball/12 Gear/M12/FAST (12JS160T-1708010-53)	1

Clutch



Reference number	Part Number	Part Name	quantity
1	DZ93189160357	Driven Disc Assembly	1
2	DZ93189160356	Clutch Cover Assembly	1
3	SZ916000706	Release Bearing	1

Transmission Shaft

Reference number	Part Number	Part Name	quantity
	DZ92189315173	Intermediate Transmission Shaft	1
	Q151B1455TF3	Hexagonal Head Bolt	4
	190003888620	Self-Locking Nut	4
	DZ96259316324	Support Corner Plate/F/Four	1
	Q1811230TF3	Toothed Bolt With Hexagon Flange Face	5
	06.11251.2003	Hexagon Nut With Flange/M7.112.40 M14*1.5-10-MAN183B1	5
	Q1811440TF3	Toothed Bolt With Hexagon Flange Face	4
	06.11251.2005	Hexagon Nut With Flange/M7.112.40 M14*1.5-10-MAN183B1	4
	DZ9114315204	Telescopic Transmission Shaft/47000Nm/180/Expansion length110/length=2040	1
	Q151B1455TF3	Hexagonal Head Bolt	4
	190003888620	Self-Locking Nut	8
	DZ9114312072	Telescopic Transmission	1
	Q151B1455TF3	Hexagonal Head Bolt	8
	190003888620	Self-Locking Nut	8

Intermediate Transmission Shaft



Reference number	Part Number	Part Name	quantity
	4010101-DZ92189315173	4010101/中间传动轴/屈服47000Nm/180端/四孔支承/长度1730	1
	6010006-DZ92189315173	6010006/中间传动轴/屈服47000Nm/180端/四孔支承/长度1730	1

4010101/中间传动轴/屈服47000Nm/180端/四孔支承/长度1730

Reference number	Part Number	Part Name	quantity
	26013314030-80LX	Φ 80Transmission Shaft Hanger (New State)	1

P6564110011A
PHWJ-707-00A

Φ 68 Flange Fork (New)
Φ 68 Universal Joint (New)

1
1

6010006/中间传动轴/屈服47000Nm/180端/四孔支承/长度1730

Reference number	Part Number	Part Name	quantity
	26013314030-75	Hanger	1
	P6564110011A	Φ 68 Flange Fork (New)	1
	PHWJ-707-00A	Φ 68 Universal Joint (New)	1

Support Corner Plate/F/Four Hole/250/Height=240



Reference number	Part Number	Part Name	quantity
	DZ96259319224	Support Angle Plate	1
	DZ96259310024	Strengthened Rib	2

Telescopic Transmission Shaft/47000Nm/180/Expansion length110/length=2040

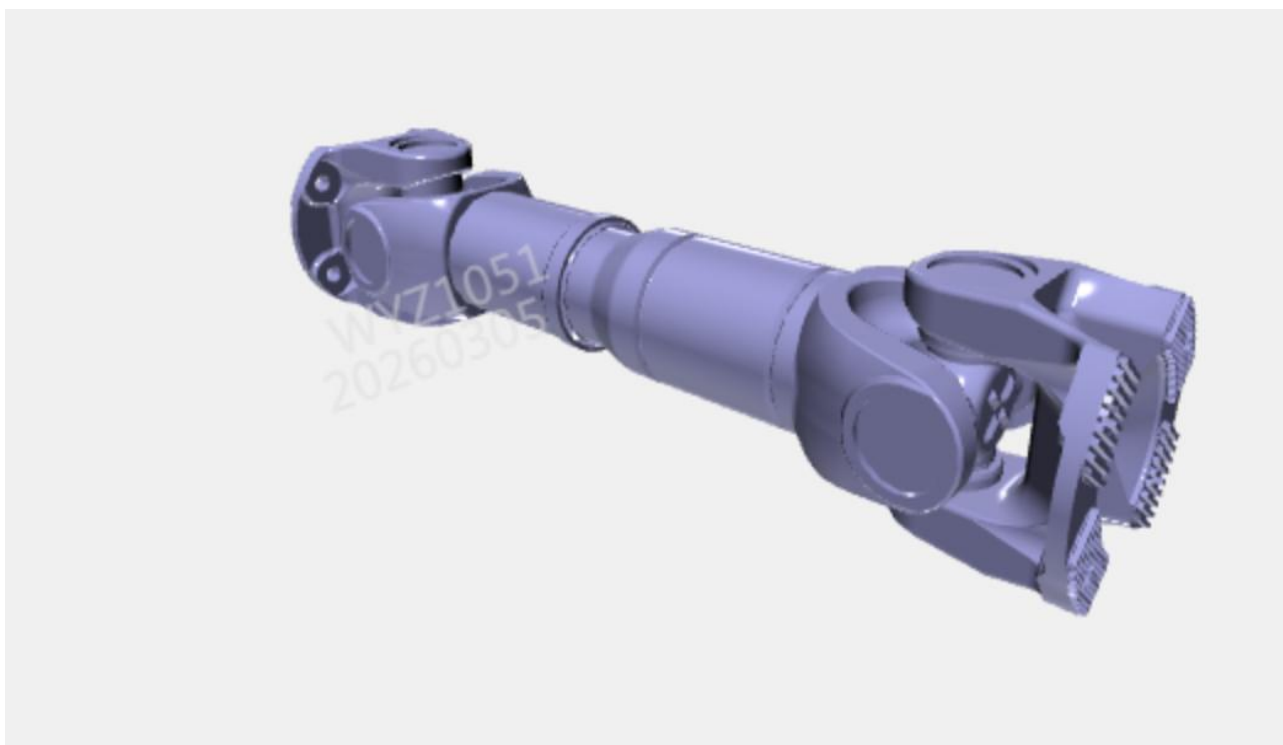


Reference number	Part Number	Part Name	quantity
	4010101-DZ9114315204	4010101/伸缩传动轴/屈服47000Nm/180端/伸缩量110/长度2040	1
	6010006-DZ9114315204	6010006/伸缩传动轴/屈服47000Nm/180端/伸缩量110/长度2040	1

4010101/伸缩传动轴/屈服47000Nm/180端/伸缩量110/长度2040			
Reference number	Part Number	Part Name	quantity
	P6564110011A	Φ 68 Flange Fork (New)	2
	PHWJ-707-00A	Φ 68 Universal Joint (New)	2

6010006/伸缩传动轴/屈服47000Nm/180端/伸缩量110/长度2040			
Reference number	Part Number	Part Name	quantity
	P6564110011A	Φ 68 Flange Fork (New)	2
	PHWJ-707-00A	Φ 68 Universal Joint (New)	2

Telescopic Transmission Shaft/28000Nm/720mm/110



Reference number	Part Number	Part Name	quantity
	4010101-DZ9114312072	Code:4010101/Telescopic Transmission Shaft/Yield 28000Nm/180 End/Telescopic	1
	6010006-DZ9114312072	Code:6010006/Telescopic Transmission Shaft/Yield 28000Nm/180 End/Telescopic	1

Code:4010101/Telescopic Transmission Shaft/Yield 28000Nm/180 End/Telescopic Length 110/Telescopic 720

Reference number	Part Number	Part Name	quantity
	19036311080	Universal Joint Assembly/Φ 57	2
	P1122922000006-01	Φ 57 Flange Fork (End Face Teeth)	2

Code:6010006/Telescopic Transmission Shaft/Yield 28000Nm/180 End/Telescopic Length

Reference number	Part Number	Part Name	quantity
	19036311080	Universal Joint Assembly/ Φ 57	2
	P1122922000006-01	Φ 57 Flange Fork (End Face Teeth)	2

Walking System

Steering Shaft

Reference number	Part Number	Part Name	quantity
	DZ96319380665	Front Axle	1
	DZ96319380666	Front Axle	1

Rear Suspension

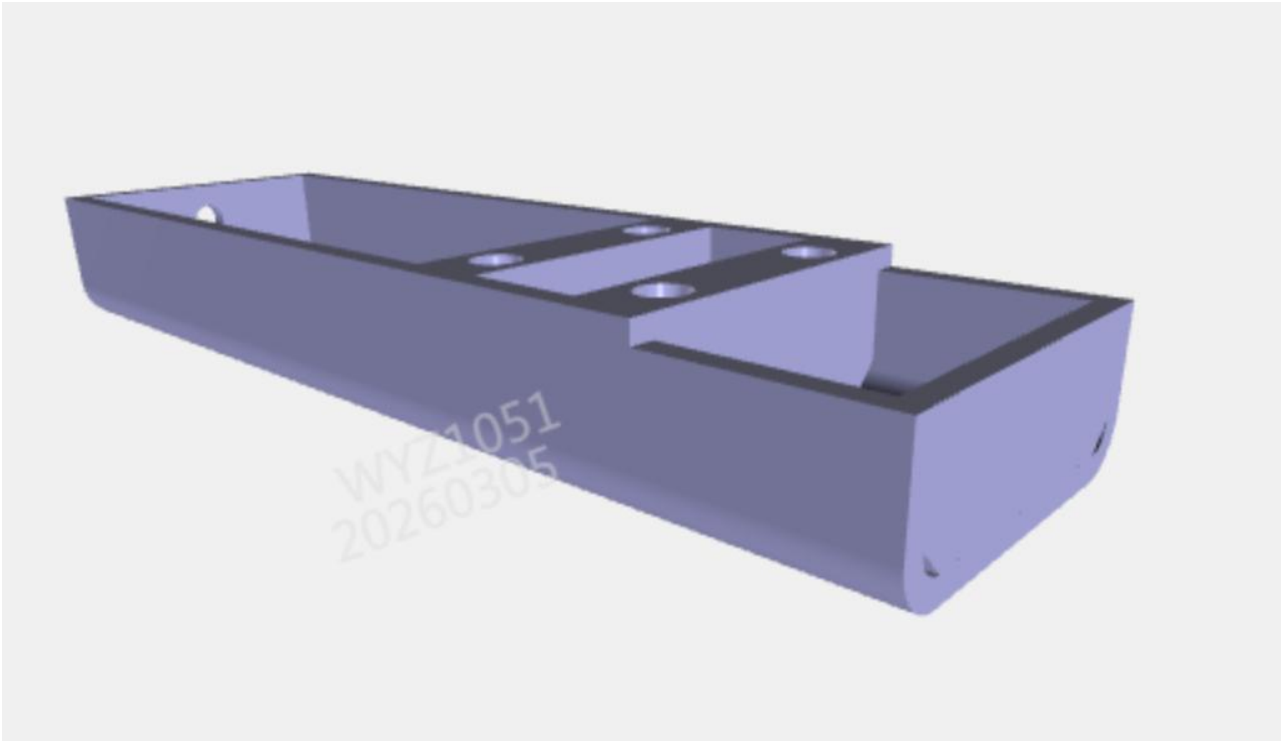
Reference number	Part Number	Part Name	quantity
	DZ97259520470	Balance Shaft End Press Assembly	2
	Q1811460TF3	Toothed Bolt With Hexagon Flange Face	20
	Q1811465TF3	Toothed Bolt With Hexagon Flange Face	8
	06. 11251. 2005	Hexagon Nut With Flange/M7. 112. 40 M14*1. 5-10-MAN183B1	28
	Q151B1885TF3	Hexagon Head Bolt- Fine Thread	8
	190003888466	Locking Nuts	8
	DZ95259520849	Connecting Plate	1
	Q1801645TF3	Toothed Bolt With Hexagon Flange Face	2
	Q1801660TF3	Toothed Bolt With Hexagon Flange Face	4
	Q33016T13F3	All Metal Hexagonal Flange Locking Nut	4
	DZ97259520476	Rear Leaf Spring Assembly	2
	DZ97259520503	Spring Pressing Plate	2
	DZ97319520360	U-Bolt	4
	81. 90685. 0400	Ball Seat Nut/M27*2	8
	DZ96259520507	Upper Thrust Rod Assembly	2
	Q151B20240TF3	Hexagonal Head Bolt - Bolt Gb5785M20 * 1. 5 * 240Zn???	2
	DZ91259527020	Dtf Hex Flange Nut M20 \times 1. 5-10	2
	Q151B2090TF3	Hexagon Head Bolt	4
	DZ91259527020	Dtf Hex Flange Nut M20 \times 1. 5-10	4
	DZ97259526197	Lower Thrust Rod Assembly	4
	06. 01494. 4734	Hexagon Head Bolt DIN960 M18*2*250-10. 9-MAN183-PHR*	4
	06. 01494. 4718	Hexagon Head Bolt DIN960 M18*2*95-10. 9-MAN183-PHR*	8
	SZ952000866	Hexagon Flange Nut/DTF/M18 \times 2	12
	DZ96259520492	Guide Plate Assembly	4
	SZ952000959	Guide Plate Adjustment Gasket	4
	SZ952000960	Guide Plate Adjustment Gasket	4

SZ952000961	Guide Plate Adjustment Gasket	4
Q40314	Spring Washer 190003931162	16
Q151B1455TF3	Hexagonal Head Bolt	16
DZ96259520454	Spacing Block Assembly	4
Q1811445TF3	Toothed Bolt With Hexagon Flange Face	4
06. 11251. 2005	Hexagon Nut With Flange/M7. 112. 40 M14*1. 5-10-MAN183B1	4
DZ95259520438	Spring Sliding Plate	4
DZ97259520475	Locating Pin	4
DZ97259520405	Push-Down Bracket (Left)	2
DZ97259520406	Push-Down Bracket (Right)	2
Q151C20240TF3	Hexagonal Head Bolt - Fine Thread	16
81. 90712. 0908	Spherical Gasket	16

Balance Shaft End Press Assembly

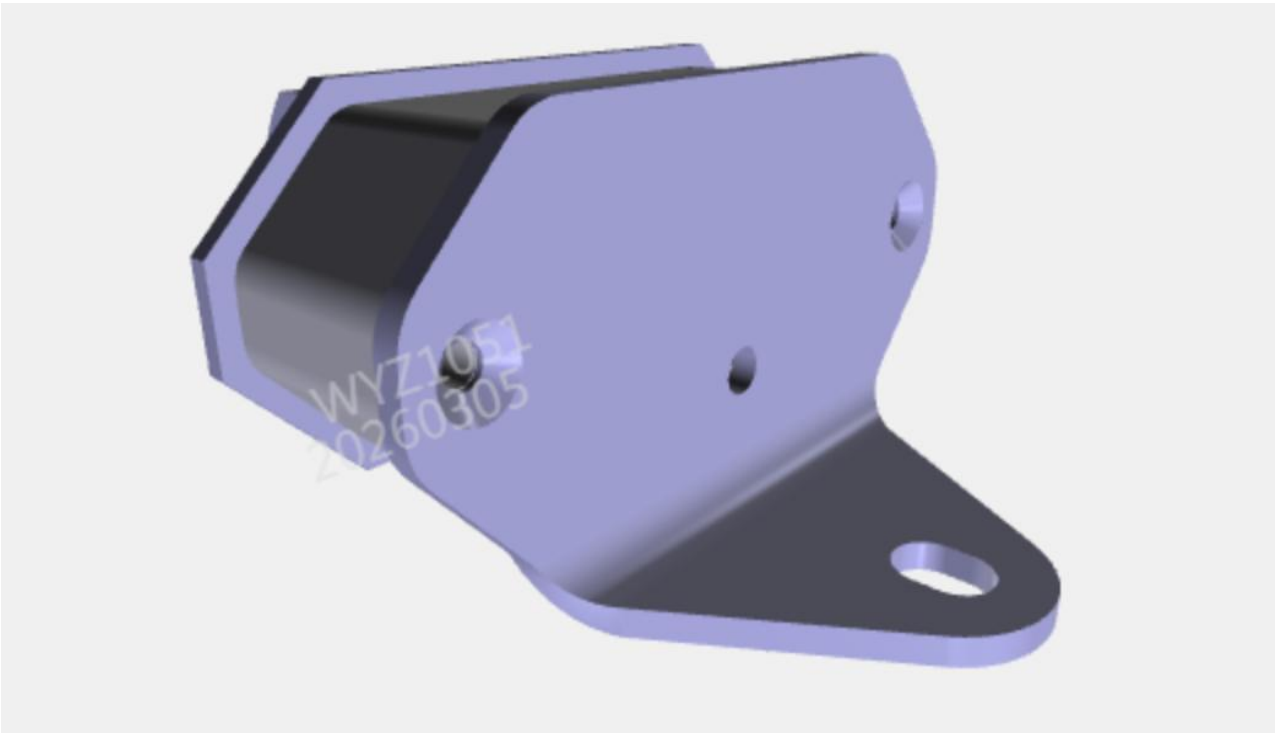
Reference number	Part Number	Part Name	quantity
	DZ97259520401	Balance Shaft Bracket	1
	DZ97259520432	Balance Shaft Housing	1
	81. 96210. 0508	Bush	2
	DZ97259520402	Flange	1
	DZ97259520403	High Strength Gasket -24	1
	DZ97259520404	Hexagon Head Bolt M24*2*90-12.9	1
	Q1811680TF3	Toothed Bolt With Hexagon Flange Face	6

Guide Plate Assembly



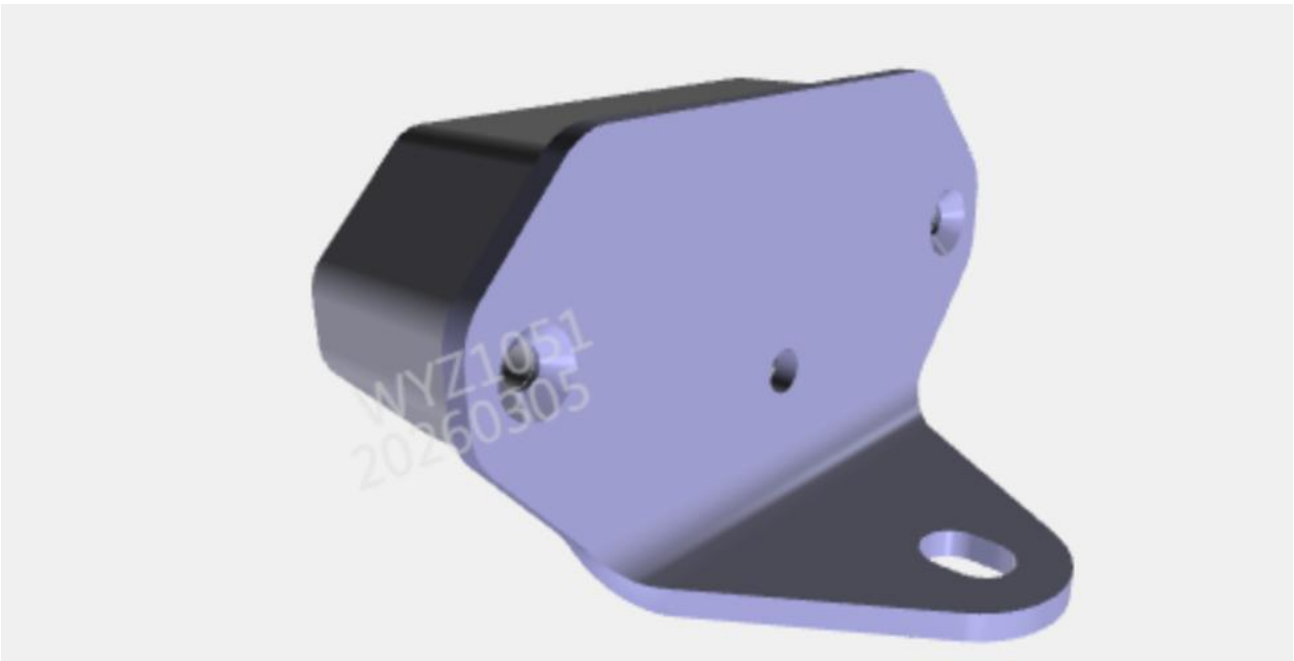
Reference number	Part Number	Part Name	quantity
	DZ96259520493	Strengthened Pad	2
	DZ96259520494	Cover Plate	1
	DZ96259520495	Guide Plate	1
	DZ96259520496	Cover Plate	1

Spacing Block Assembly



Reference number	Part Number	Part Name	quantity
	DZ96259520474	Rubber Damping Block Bracket	1
	81.96210.0379	Rubber Absorber Block	1
	Q150B0825TF3	Hexagon Head Bolt	2

Rubber Damping Block Bracket



Reference number	Part Number	Part Name	quantity
	DZ95259522129	Limit Buffer Block Bracket	1
	DZ96259520469	Filler Piece	1

Shock Absorber And Stabilizer Rod

Reference number	Part Number	Part Name	quantity
	DZ95259680121	Shock Absorber Assembly	2
	DZ9100680038	Bolt	4
	190003888459	Self-Locking Nut	4
	DZ96319680122	Shock Absorber Bracket Assembly	2
	Q151B1445TF3	Hexagonal Head Bolt	8
	190003888620	Self-Locking Nut	8
	DZ95319680116	Shock Absorber Bracket Assembly	2
	Q151B1455TF3	Hexagonal Head Bolt	8
	190003888620	Self-Locking Nut	8
	DZ96319680115	Shock Absorber Assembly	2
	DZ95259680100	Front Axle Absorber Bracket Subassembly	4
	Q40316	Elastic Washer	8
	Q151B1660T1F3	Hexagon Head Bolt- Fine Thread	8
	190003963112	Metric Conical Thread Grease Nozzle	4
	199012680009	Bolt	4
	190003888459	Self-Locking Nut	4
	DZ97259680121	Front Stabilizer Bar Assembly	1
	DZ96259680146	Stabilizer Bar Support Plate Assembly	2
	199100680057	Bolt	2
	Q151B1685TF3	Hexagon Head Bolt- Fine Thread	2
	Q40016	Small Washer 190003930301	2
	190003888459	Self-Locking Nut	4
	DZ95259680132	Stabilizer Bar Bracket Assembly	2
	Q151B1450TF3	Hexagonal Head Bolt	6
	190003888620	Self-Locking Nut	6
	DZ97259680140	Bearing Seat Assembly	2
	81.43704.0074	Double Slit Bush	2

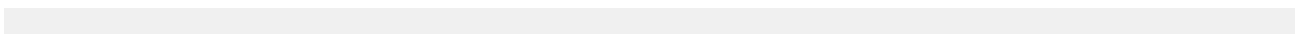
Shock Absorber Bracket Assembly

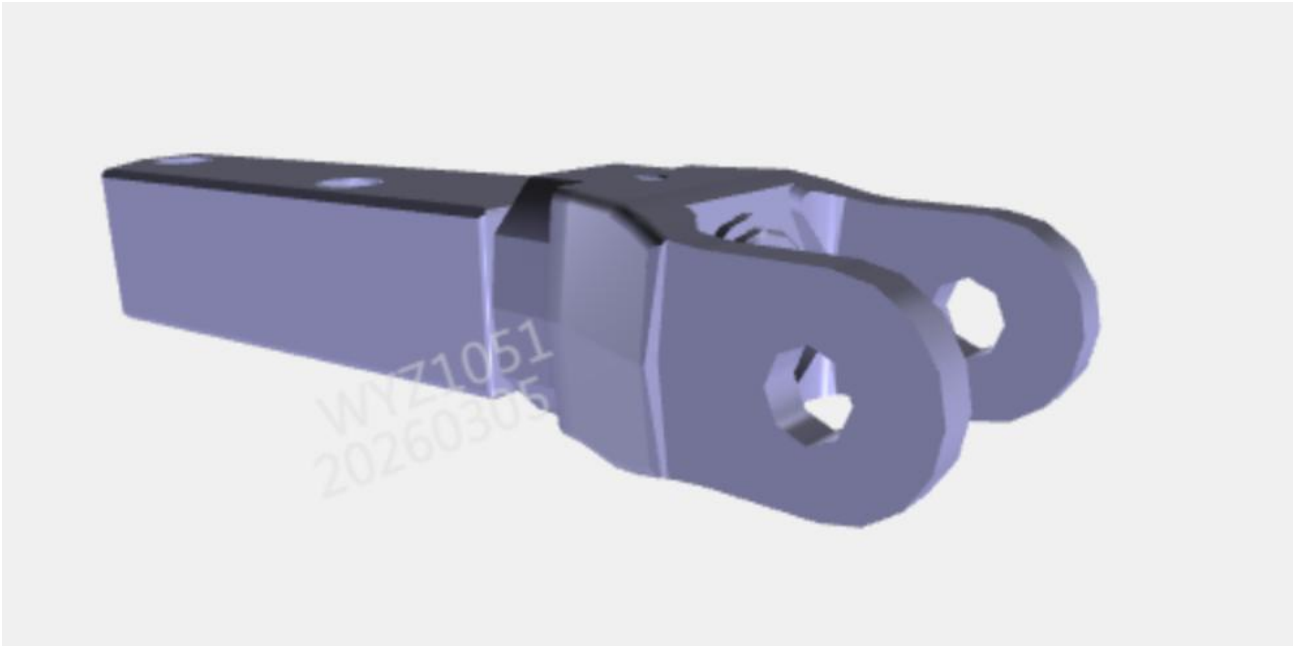
Reference number	Part Number	Part Name	quantity
	DZ96319680121	Shock Absorber Bracket	1
	DZ9118680032	Sealing Plate	1
	199112680020	Washer	2

Shock Absorber Bracket Assembly

Reference number	Part Number	Part Name	quantity
	DZ95319680115	Shock Absorber Bracket	1
	DZ9118680032	Sealing Plate	1
	199112680020	Washer	2

Front Axle Absorber Bracket Subassembly





Reference number	Part Number	Part Name	quantity
	199012680025	Lower Bracket Link Fork	1
	DZ9100680065	Bracket	1
	190003933242	Elastic Stop Ring For Axle/34×2.5-D471	1

Front Stabilizer Bar Assembly



Reference number	Part Number	Part Name	quantity
	DZ97259680120	Front Stabilizer Bar	1
	81.43722.0059	Split Bush	2

Stabilizer Bar Support Plate Assembly

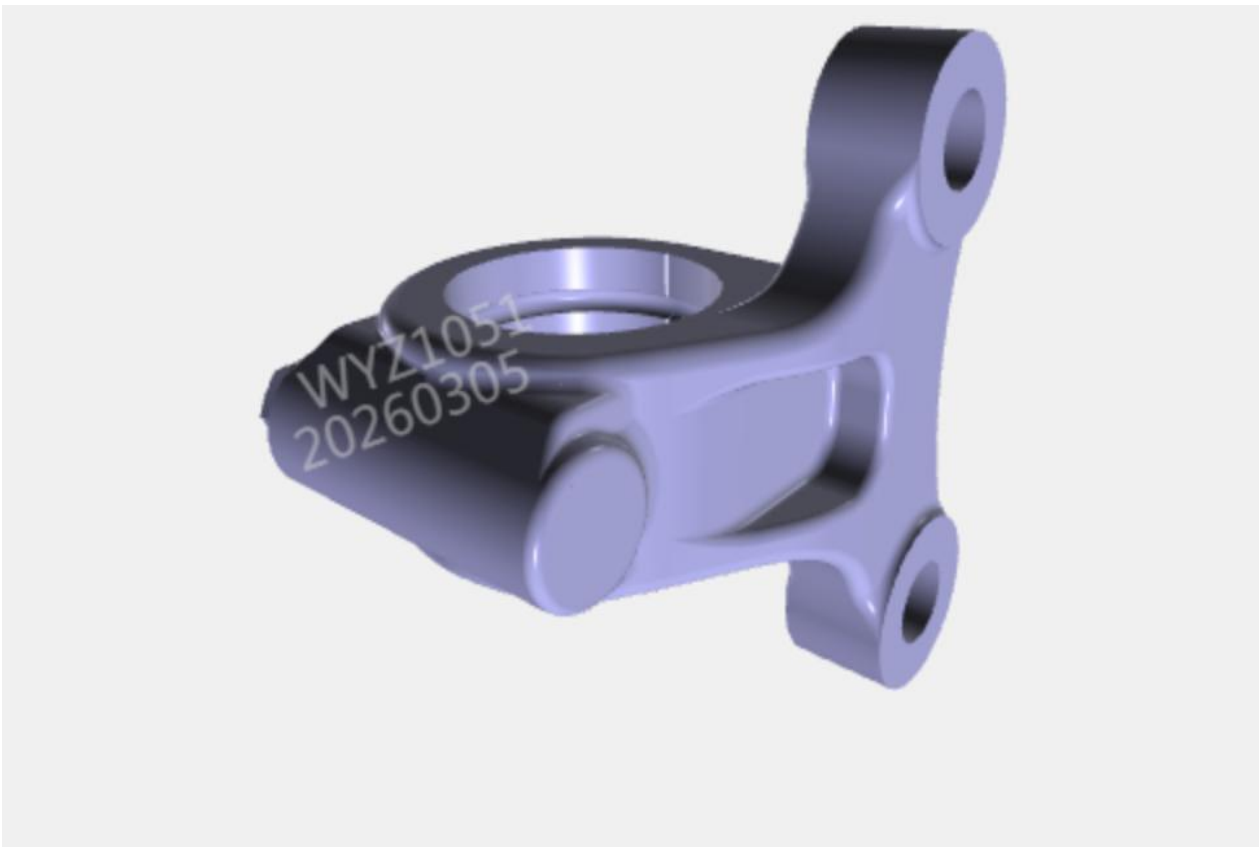
Reference number	Part Number	Part Name	quantity
------------------	-------------	-----------	----------

SZ965000738	U Clip	1
DZ96259680147	Connecting Plate	1
SZ965000740	U Clip	1

Stabilizer Bar Bracket Assembly

Reference number	Part Number	Part Name	quantity
	199100680054	Shaft Sleeve Assembly	1
	DZ95259680131	Stabilizer Bar Bracket	1

Bearing Seat Assembly



Reference number	Part Number	Part Name	quantity
	Q1811470TF3	Toothed Bolt With Hexagon Flange Face	2
	DZ97259680141	Bearing Seat	1
	DZ97259680142	Bearing Cover	1

Wheel Assembly

Reference number	Part Number	Part Name	quantity
	DZ95259610513	Tyre	13

DZ95189611300	Wheel Nut (30)	80
DZ93259610205	Wheel Nut Protection Cap	40
DZ93259615030	Front Wheel Cover/Stainless Steel	4

Reference number	Part Number	Part Name	quantity
	DZ91189610506	Tyre/Mixed Pattern/11R22.5/16PR	1
	DZ96189610503	Aluminum Alloy Wheel Rim/8.25×22.5	1

Front Suspension

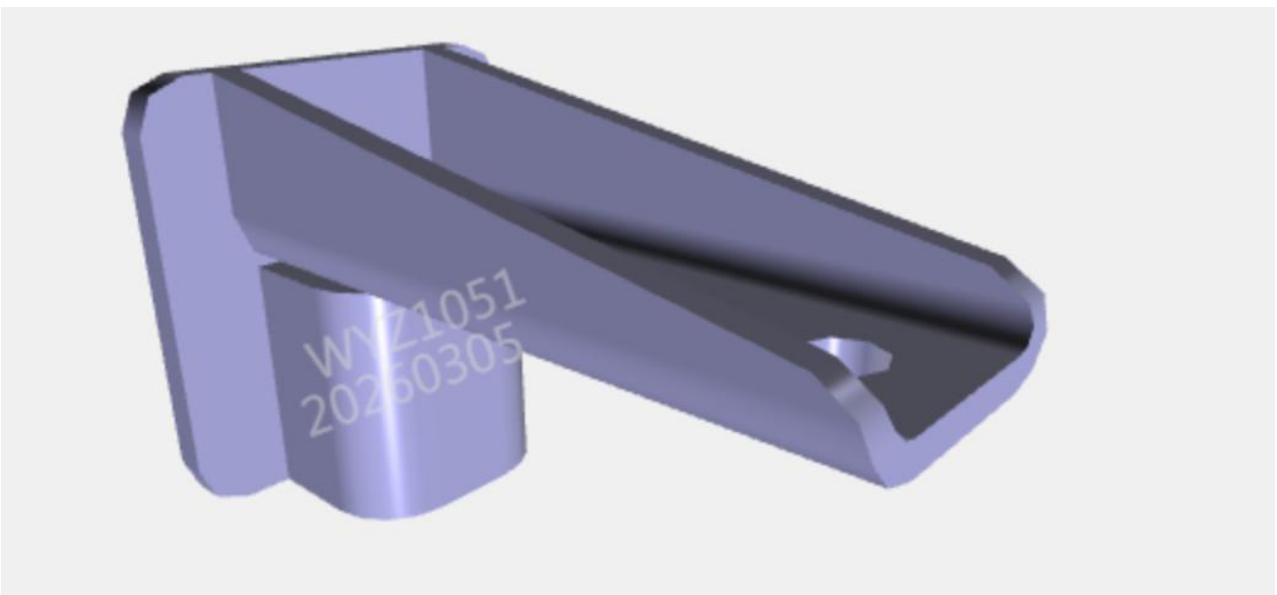
Reference number	Part Number	Part Name	quantity
	DZ96319690025	Front Leaf Spring Assembly	4
	199014520304	Spring Seat	4
	199000520006	Guide Pin	4
	DZ9100520007	Spring Pin	1
	DZ9100520065	Spring Pin	11
	Q151C1270T1F3	Hexagon Head Bolt- Fine Thread	4
	190003963124	Metric Taper Thread Grease Nipple	1
	SZ970000026	Front Leaf Spring Lug Assembly	4
	SZ970000829	Rubber Position Limit Block	4
	DZ97259690716	Spring Pressing Plate	4
	DZ97259690712	U-Bolt/M20/210	6
	DZ97259690713	U-Bolt/M20/240	2
	DZ97259520454	High Strength Gasket	16
	DZ91259527020	Dtf Hex Flange Nut M20 × 1.5-10	16
	SZ970000020	Front Spring Left Front Bracket	1
	SZ970000021	Front Spring Right Front Bracket	1
	Q18114120TF3	Toothed Bolt With Hexagon Flange Face	1
	Q1811445TF3	Toothed Bolt With Hexagon Flange Face	9
	06.11251.2005	Hexagon Nut With Flange/M7.112.40 M14*1.5-10-MAN183B1	10
	DZ95319690701	Front Leaf Spring Middle Bracket (Left)	1
	DZ95319690712	Front Leaf Spring Middle Bracket Assembly (Right)	1
	Q1811440TF3	Toothed Bolt With Hexagon Flange Face	18
	06.11251.2005	Hexagon Nut With Flange/M7.112.40 M14*1.5-10-MAN183B1	18
	SZ970000025	II Rear Bracket	2
	Q1811445TF3	Toothed Bolt With Hexagon Flange Face	10
	06.11251.2005	Hexagon Nut With Flange/M7.112.40 M14*1.5-10-MAN183B1	10
	DZ96319690175	Axle Position Limit Frame Assembly	4
	Q1811435TF3	Hexagon Flange Facing Toothed Bolt	8
	06.11251.2005	Hexagon Nut With Flange/M7.112.40 M14*1.5-10-MAN183B1	8

Front Leaf Spring Lug Assembly



Reference number	Part Number	Part Name	quantity
	SZ970000027	Front Spring Lifting Lug	1
	199000520078	Bushing	1

Axle Position Limit Frame Assembly



Reference number	Part Number	Part Name	quantity
	DZ95319690733	Base Plate	1
	DZ96319690176	Connecting Plate	1

DZ96319690177	U-Plate	1
---------------	---------	---

Drive Axle

Reference number	Part Number	Part Name	quantity
	DZ96319391122	Drive Axle	1
	DZ96319391123	Drive Axle	1
	DZ95189363002	Diaphragm Spring Brake Chamber (Left Side Of Middle Axle 30/24-200)	1
	DZ95189363003	Diaphragm Spring Brake Chamber (Right Side Of Middle Axle 30/24-200)	1
	DZ95189363007	Diaphragm Spring Brake Chamber (30/24-75)	2
	Q5101440	Pin 190003903661	4
	Q401B14	Flat Washer	4
	Q5004025	Split Pin	4

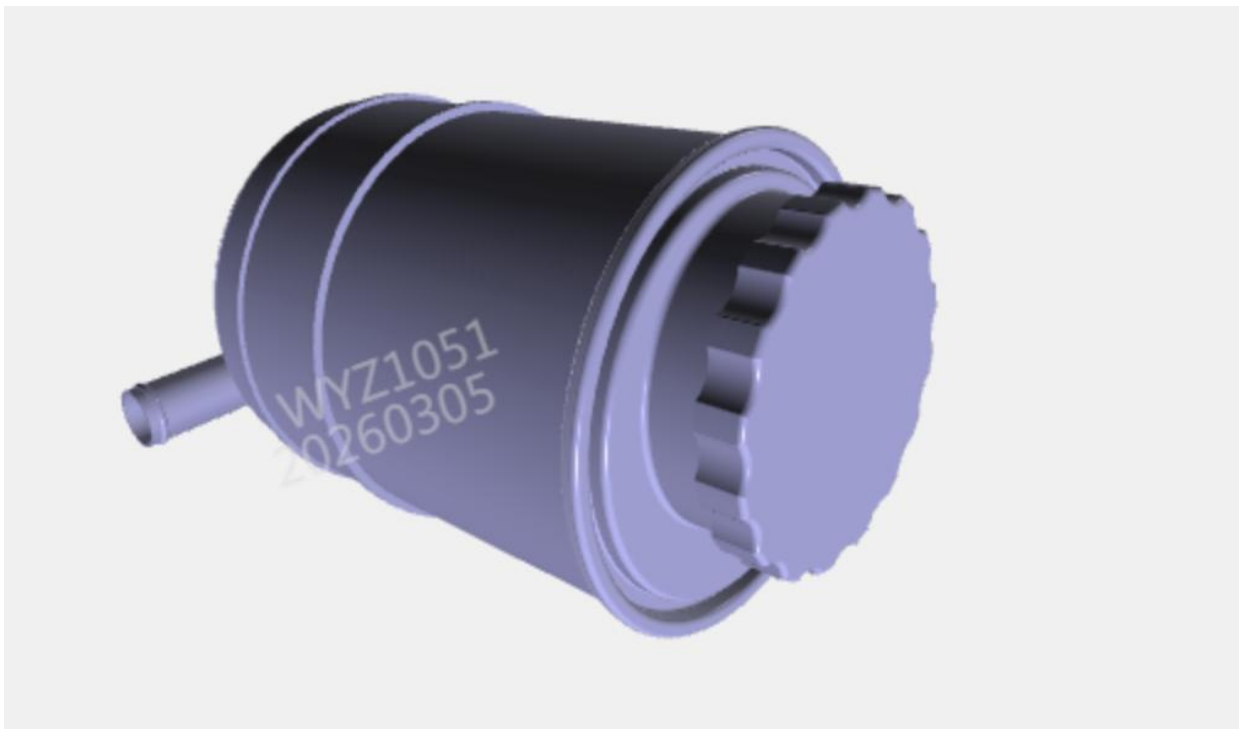
Steering System

Steering booster

Reference number	Part Number	Part Name	quantity
	DZ96319472310	Oil tank bracket	1
	Q1811435TF3	Hexagon Flange Facing Toothed Bolt	2
	06. 11251. 2005	Hexagon Nut With Flange/M7. 112. 40 M14*1. 5-10-MAN183B1	2
	DZ95189470086	Steering Oil Tank Sub Assembly/WP10	1
	Q1841025T1F31	Hexagon Flange Bolt	2
	Q33010	All Metal Hexagonal Flange Locking Nut-Galvanized	2
	DZ96319470965	Low pressure oil pipe	1
	DZ97319470930	Oil Pump Inlet Steel Pipe Assembly	1
	Q1840620T1F31	Hexagon Flange Bolt	2
	Q33006T2F60	All Metal Hexagonal Flange Locking Nut	2
	DZ96319470965	Low pressure oil pipe	1
	190003989301	Hose Clamp	2
	DZ96189470115	Oil Inlet Joint Assembly/Pump	1
	DZ96259470029	Oil Tube Bracket	1
	Q1811230TF3	Toothed Bolt With Hexagon Flange Face	1
	06. 11251. 2003	Hexagon Nut With Flange/M7. 112. 40 M14*1. 5-10-MAN183B1	1
	DZ96319470960	Bracket	1
	Q1811230TF3	Toothed Bolt With Hexagon Flange Face	2
	06. 11251. 2003	Hexagon Nut With Flange/M7. 112. 40 M14*1. 5-10-MAN183B1	2
	DZ96189470110	Pipe Joint Assembly	1
	DZ96319470933	High Pressure Hose Assembly/M22-M18/520	1
	DZ96189470967	Pressure oil pipe assembly 2	1
	DZ98259470043	Transit Joint M22/M22	1
	DZ96189470963	Oil Pipe Assembly 1	1
	SZ947000825	Cutting Sleeve Right-Angle Joint	1

DZ91259470714	Clamp Type Hinge Joint Assembly/M18-M22	1
DZ96189470965	Oil Return Pipe Assembly	1
DZ98259470043	Transit Joint M22/M22	1
DZ96189470969	Oil Return Pipe Assembly	1
DZ95189470012	Rubber Hose With Fiber Interlayer (Formed)	1
190003989336	Hose Clamp	2
DZ96259562735	L-Shaped Bracket	1
DZ91189360099	L Bracket	1
DZ96259470029	Oil Tube Bracket	2
Q1811230TF3	Toothed Bolt With Hexagon Flange Face	2
06.11251.2003	Hexagon Nut With Flange/M7.112.40 M14*1.5-10-MAN183B1	2
DZ97319470243	Single Pipe Clamp Assembly/Nylon/Φ15	1
Q1840640T1F31	Hexagon Flange Bolt	1
Q33006T2F60	All Metal Hexagonal Flange Locking Nut	1
DZ97319470250	Pipe Clamp	4
Q1840640T1F31	Hexagon Flange Bolt	4
Q33006T2F60	All Metal Hexagonal Flange Locking Nut	4
DZ96189470929	Steering Oil Pump (WP9H/Without Safety	1
Q1841025T1F31	Hexagon Flange Bolt	2

Steering Oil Tank Sub Assembly/WP10



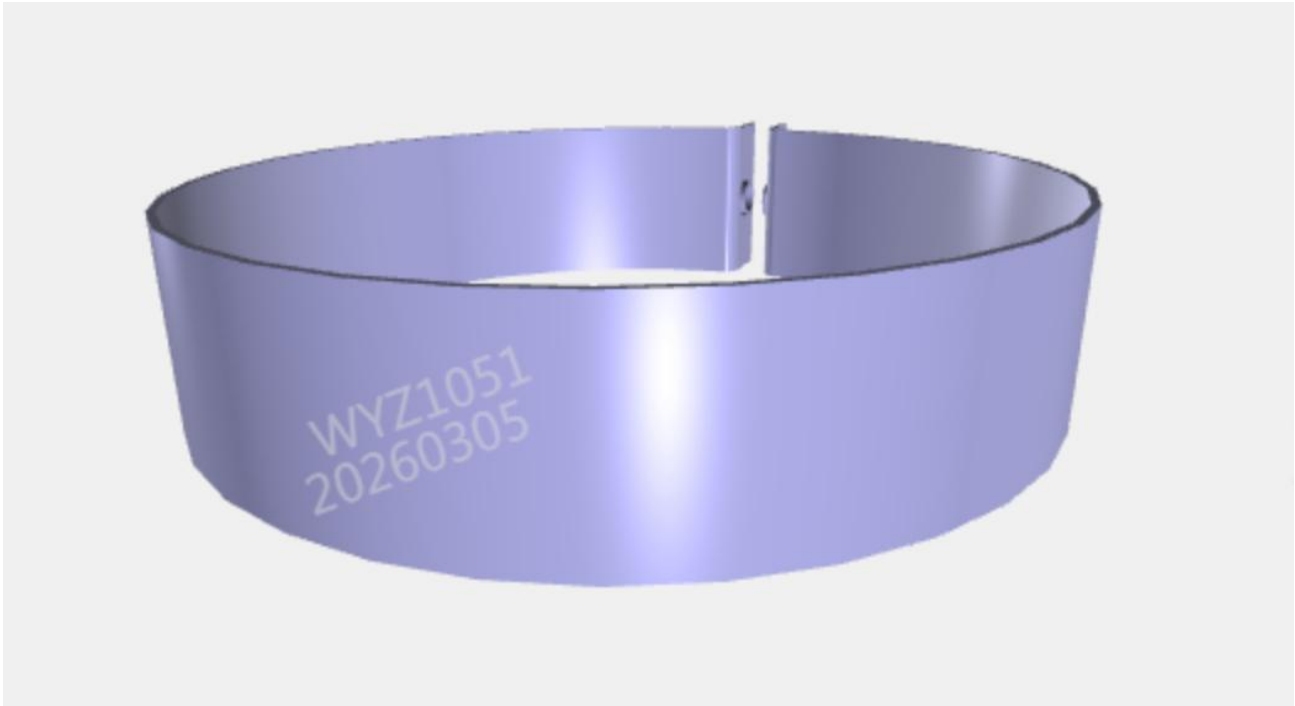
Reference number	Part Number	Part Name	quantity
	DZ9A189470201	Steering Oil Tank Assembly (Front)	1
	DZ9100470040	Oil Tank Bracket Assembly	1

Oil Tank Bracket Assembly



Reference number	Part Number	Part Name	quantity
	DZ9100470110	Clamping Strip Assembly	1
	DZ9100470101	Bracket	1
	Q2140635	Cross Recessed Pan Head Screw	1

Clamping Strip Assembly

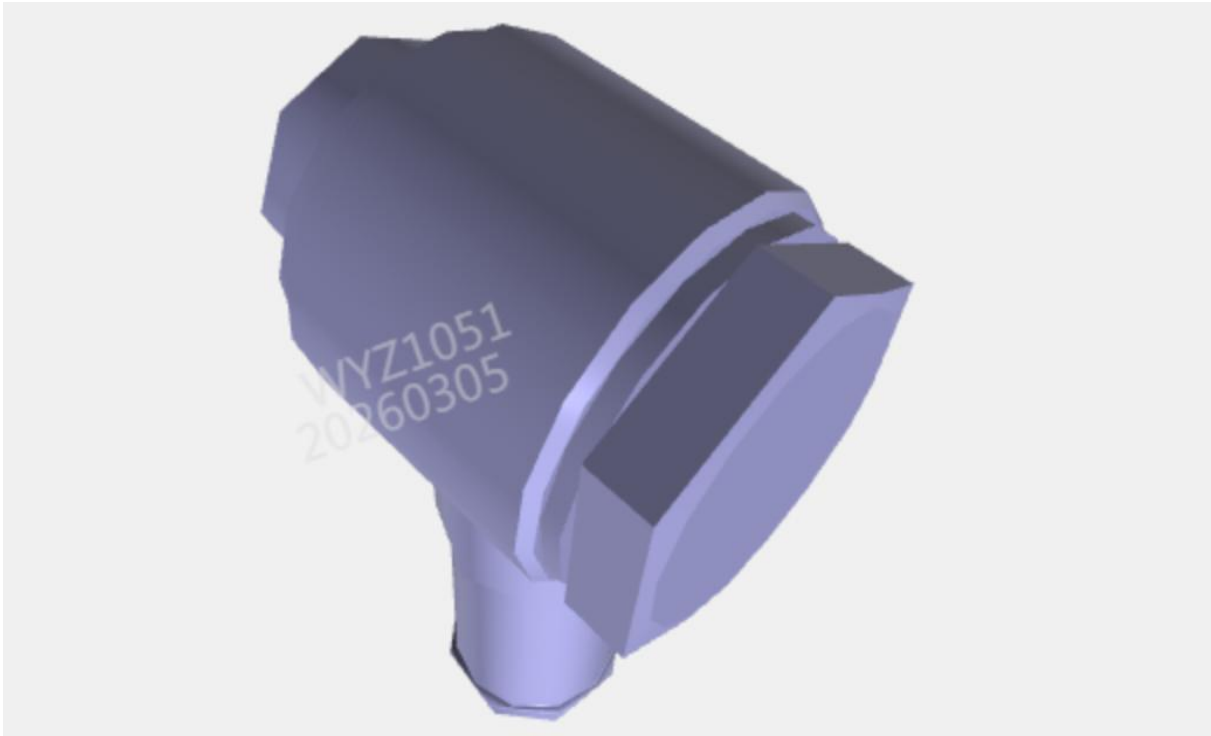


Reference number	Part Number	Part Name	quantity
	DZ9100470111	Clamping Strip	1
	DZ9100470112	Guide Sleeve	1
	DZ9100470113	Nut	1
	DZ9100470114	Gasket	2

Oil Pump Inlet Steel Pipe Assembly

Reference number	Part Number	Part Name	quantity
	DZ97319470931	Steel Pipe	1
	DZ9X259470494	Single Tube Clamp/22	2

Oil Inlet Joint Assembly/Pump



Reference number	Part Number	Part Name	quantity
	DZ96189470116	Banjo Fittings	1
	DZ96189470117	Hollow Bolt	1
	DZ96189470118	Combination Sealing Gasket/M26	2

Pipe Joint Assembly



Reference number	Part Number	Part Name	quantity
------------------	-------------	-----------	----------

	DZ96189470111	Ferrule Type Pipe Joint	1
	DZ96189470112	Hollow Bolt	1
	DZ96189470113	Sealing Washer	1
	DZ96189470114	Sealing Washer	1

Pressure oil pipe assembly 2

Reference number	Part Number	Part Name	quantity
	DZ96189470968	Steel Pipe	1
	DZ97189471030	Double Edged Ferrule/15	2
	DZ97189471031	Sleeve Nut/M22/15	2

Oil Pipe Assembly 1

Reference number	Part Number	Part Name	quantity
	DZ96189470964	Steel Pipe	1
	DZ97189471030	Double Edged Ferrule/15	2
	DZ97189471031	Sleeve Nut/M22/15	2

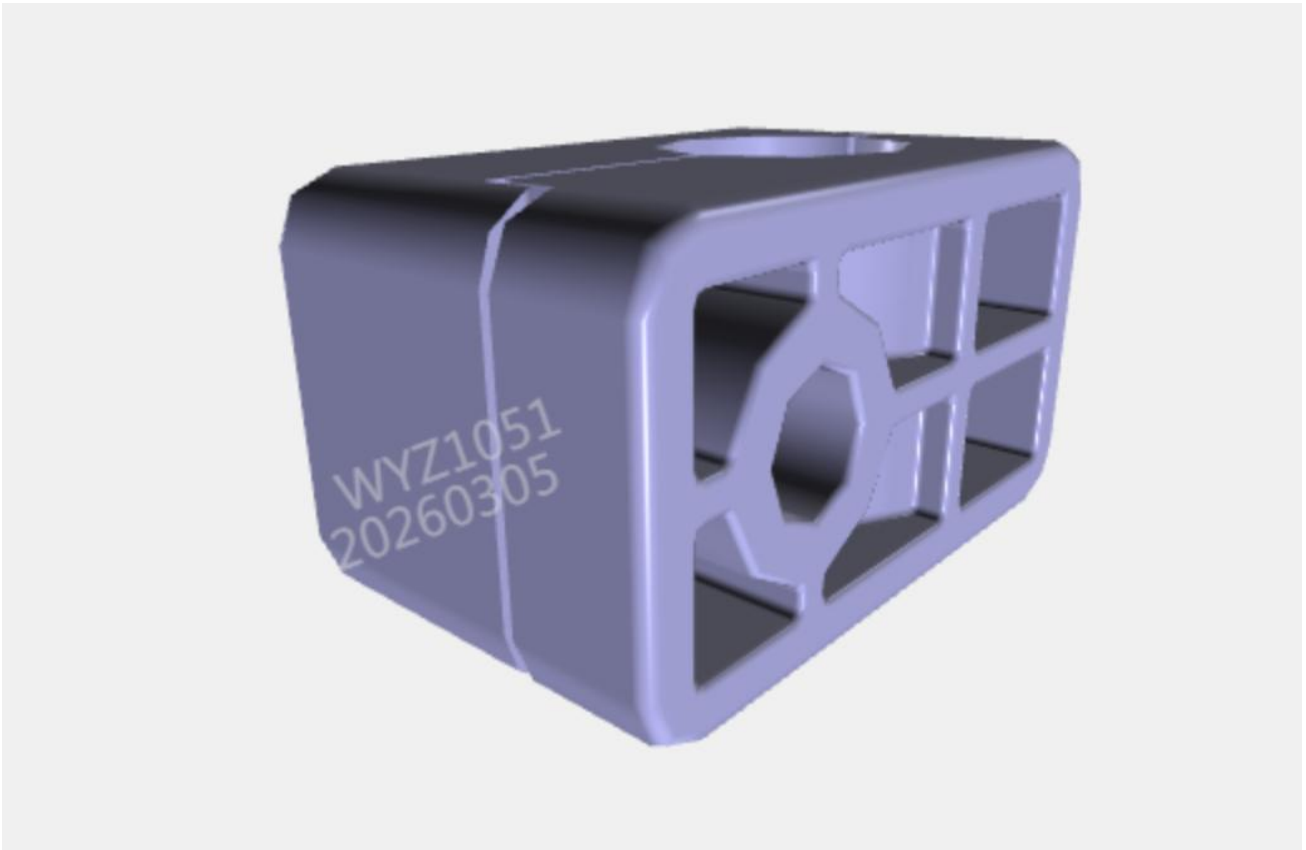
Oil Return Pipe Assembly

Reference number	Part Number	Part Name	quantity
	DZ96189470966	Steel Pipe	1
	DZ97189471030	Double Edged Ferrule/15	2
	DZ97189471031	Sleeve Nut/M22/15	2

Oil Return Pipe Assembly

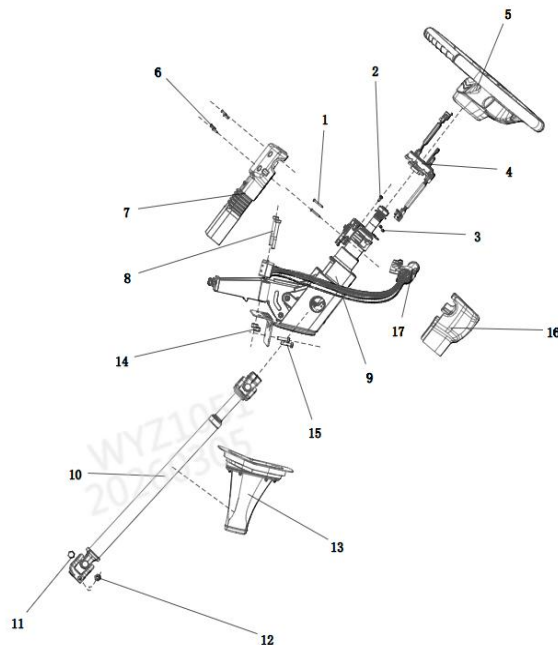
Reference number	Part Number	Part Name	quantity
	DZ96189470970	Steel Pipe	1
	DZ97189471030	Double Edged Ferrule/15	1
	DZ97189471031	Sleeve Nut/M22/15	1

Single Pipe Clamp Assembly/Nylon/Φ15



Reference number	Part Number	Part Name	quantity
	DZ97319470255	Single Pipe Clamp 1/Nylon/Φ15	1
	DZ97319470256	Single Pipe Clamp 2/Nylon/ Φ Fifteen	1

Steering Control



V
2

Reference number	Part Number	Part Name	quantity
------------------	-------------	-----------	----------

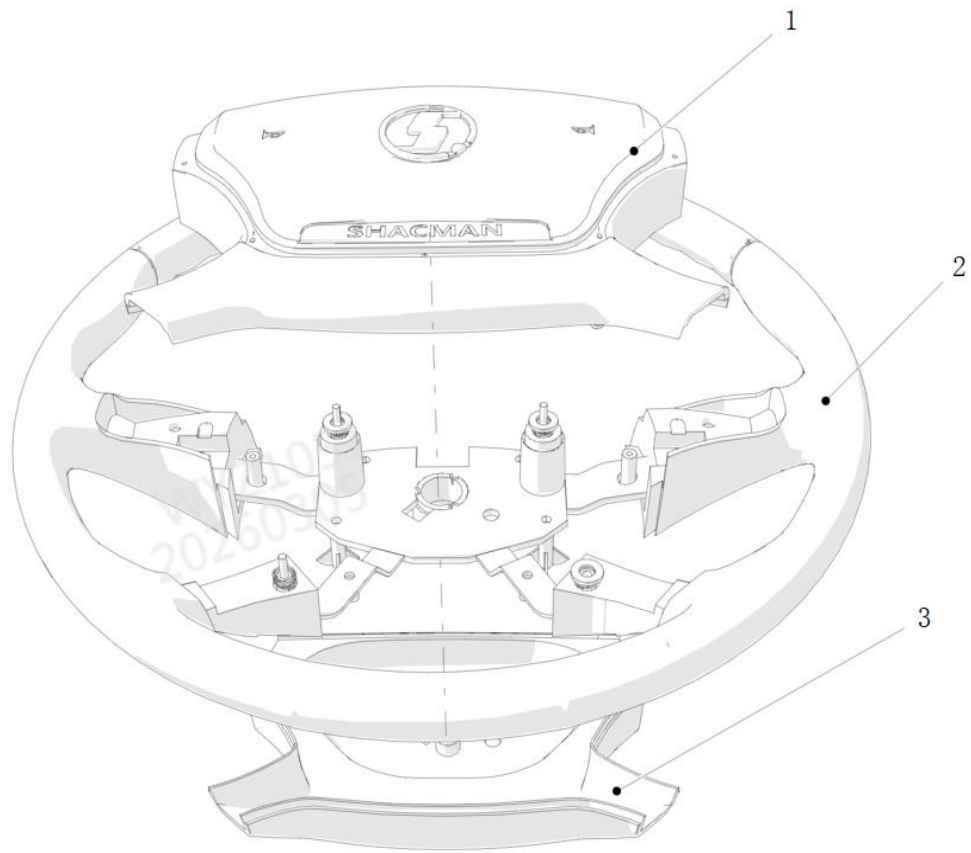
1	Q2714232	Cross Recessed Countersunk Head Screw	2
2	Q2140512	Cross Recessed Pan Head Screw	4
3	Q340B05	Type 1 Hex Nut	2
4	DZ97189460521	Clock Spring	1
5	DZ97189460520	Functional Steering Wheel Assembly	1
6	Q2714813	Cross Recessed Countersunk Head Screw	4
7	DZ97189460557	Steering Column Guard/X3000/Multifunctional Steering Wheel	1
8	Q150B1075	Hexagon Head Bolt (Galvanized)	2
9	DZ97189460559	Steering Column Upper Section Assembly	1
10	DZ95189460408	Steering Telescopic Shaft Assembly	1
11	DZ97189460051	Bolted Connections	2
12	Q33210T2F3	2 Type All Metal Hexagonal Lock Nut	2
12	Q33210T2F3	2 Type All Metal Hexagonal Lock Nut	2
13	DZ97189461503	Leather Dust Cover/X3000	1
14	DZ97189460538	Steering Column Mounting Bracket	1
15	Q1840830T1F31	Hexagon Flange Bolt	2
16	DZ97189460558	Steering Column Guard/X3000/Multifunctional Steering Wheel	1
17	DZ97189460200	Steering Wheel Lock Assembly	1

Functional Steering Wheel Assembly



Reference number	Part Number	Part Name	quantity
	4010649-DZ97189460520	4010649/Multi-function steering wheel	1

4010649/Multi-function steering wheel assembly



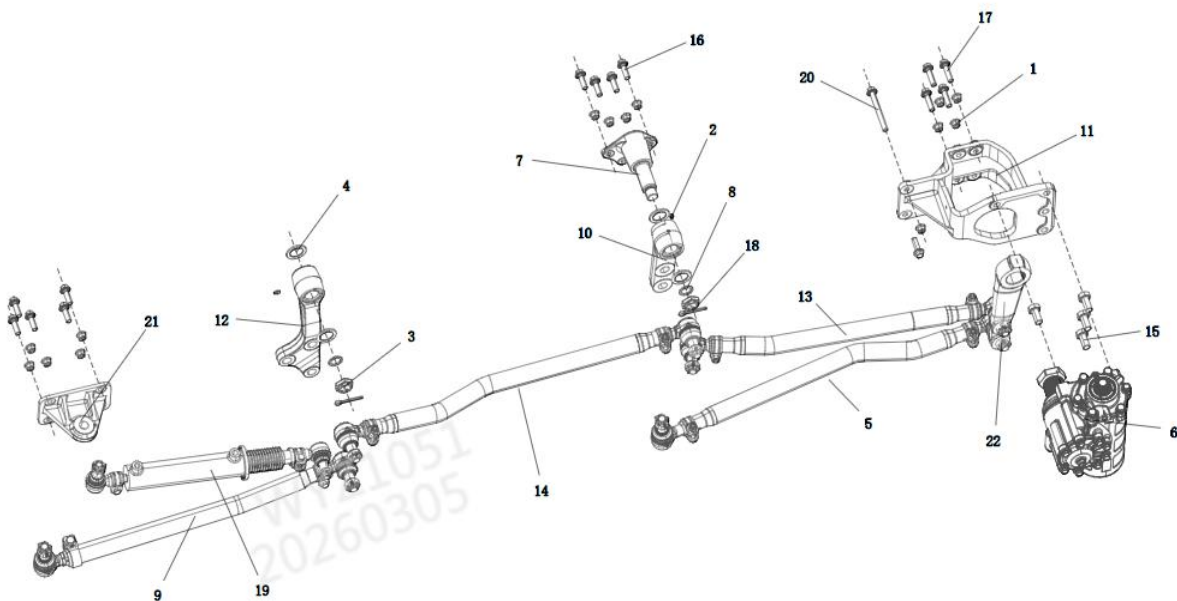
Reference number	Part Number	Part Name	quantity
	DZ97189460520-1	Upper cover assembly	1
	DZ97189460520-6	Steering wheel body	1
	DZ97189460520-8	Lower cover assembly	1

Steering Wheel Lock Assembly



Reference number	Part Number	Part Name	quantity
	DZ97189460201	Steering Wheel Lock	1
	DZ97189460202	Steering Wheel Lock Wiring Harness	1

Steering transmission



Reference number	Part Number	Part Name	quantity
------------------	-------------	-----------	----------

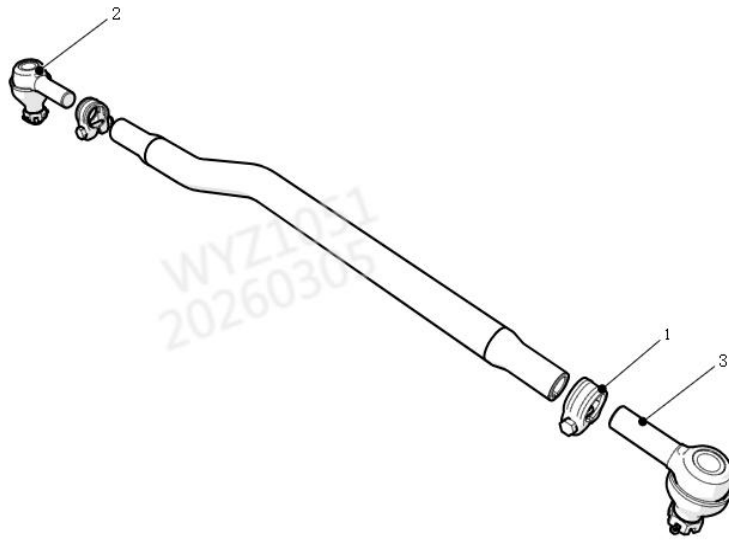
1	06.11251.2005	Hexagon Nut With Flange/M7.112.40 M14*1.5-10-MAN183B1	5
1	06.11251.2005	Hexagon Nut With Flange/M7.112.40 M14*1.5-10-MAN183B1	4
1	06.11251.2005	Hexagon Nut With Flange/M7.112.40 M14*1.5-10-MAN183B1	5
2	190003963112	Metric Conical Thread Grease Nozzle	1
2	190003963112	Metric Conical Thread Grease Nozzle	1
3	81.90610.0031	Slotted Hex Nut	1
3	81.90610.0031	Slotted Hex Nut	1
4	81.90713.0837	Washer	2
4	81.90713.0837	Washer	2
5	DZ9118430018	Steering Straight Link	1
6	DZ91259430095	Recirculating Ball Power Steering Gear/RHD/	1
7	DZ95189430804	Forged Steering Center Rocker Arm	1
8	DZ95319430605	Gasket	1
8	DZ95319430605	Gasket	1
9	DZ95319430616	Steering Straight Link	1
10	DZ95319470007	Intermediate Rocker Arm Assembly	1
11	DZ96319430628	Steering Gear Bracket (RH)	1
12	DZ97319430621	Steering Second Rocker Arm Assembly (RHD)	1
13	DZ97319430623	First Middle Pull Rod (RHD)	1
14	DZ97319430839	Second Intermediate Pull Rod (1800/RHD/Clamps At Both Ends)	1
15	Q151B2040TF3	Hexagon Head Bolt- Fine Thread	4
16	Q1811445TF3	Toothed Bolt With Hexagon Flange Face	1
16	Q1811445TF3	Toothed Bolt With Hexagon Flange Face	4
16	Q1811445TF3	Toothed Bolt With Hexagon Flange Face	5
17	Q1811455TF3	Toothed Bolt With Hexagon Flange Face	4
18	Q5006363	Split Pin	1
18	Q5006363	Split Pin	1
19	DZ96319430060	Power steering cylinder assembly (Φ60)	1
20	SXQ18114130TF3	Toothed Bolt With Hexagon Flange Face	1
21	SZ943000703	Booster Cylinder Bracket	1
22	SZ943000738	Steering Rocker Arm	1

Steering Straight Link



Reference number	Part Number	Part Name	quantity
	5010043-DZ9118430018	Steering Straight Link	1

Steering Straight Link



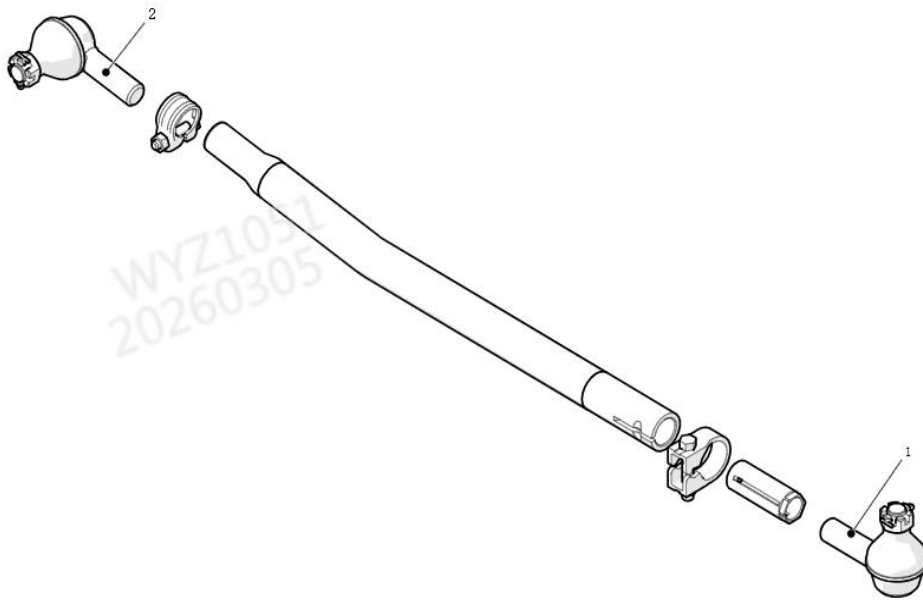
Reference number	Part Number	Part Name	quantity
1	DZ9100430006	Fastening Clamp	2
2	DZ9100430004	Right Joint Assembly	1
3	DZ9100430003	Left Joint Assembly	1

Steering Straight Link



Reference number	Part Number	Part Name	quantity
	5010043-DZ95319430616	5010043/Steering tie rod (continuously adjustable)	1

5010043/Steering tie rod (continuously adjustable)



Reference number	Part Number	Part Name	quantity
	DZ9100430003	Left Joint Assembly	1
	DZ9100430004A	Right Joint Assembly	1

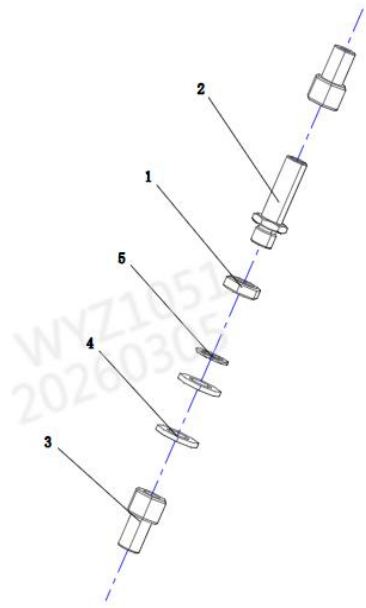
Intermediate Rocker Arm Assembly



Reference number	Part Number	Part Name	quantity
	119000410228	Needle Roller Bearing	2
	188000340023	O-Shaped Ring Seal	2
	DZ9118470601	Middle Rocker Arm	1

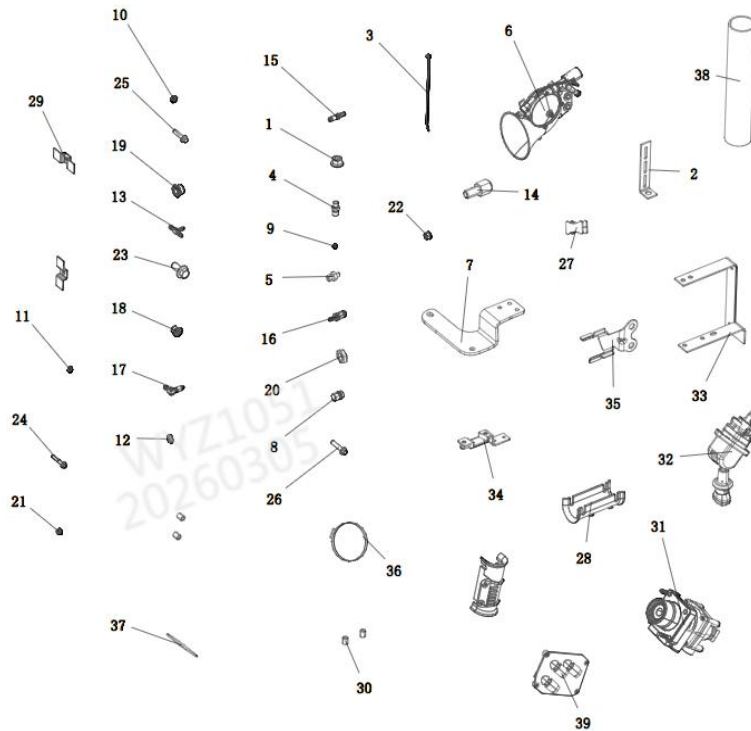
Braking System

Cabin gas device



Reference number	Part Number	Part Name	quantity
1	Q351C12T15	Hexagon Thin Nut(Galvanized)	1
2	190003559472	Cutting Sleeve Straight Joint	1
3	81.98181.6046	Voss Plug-In Threaded Joint (203)	1
3	81.98181.6046	Voss Plug-In Threaded Joint (203)	1
4	Q401B12	Flat Washer	1
4	Q401B12	Flat Washer	1
5	Q40312	Spring Washer 190003931142	1

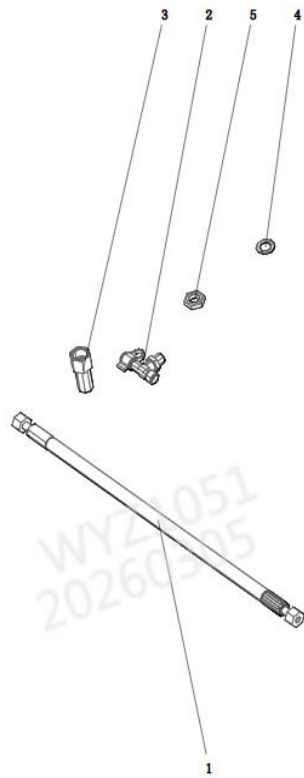
Cab Braking Device



Reference number	Part Number	Part Name	quantity
------------------	-------------	-----------	----------

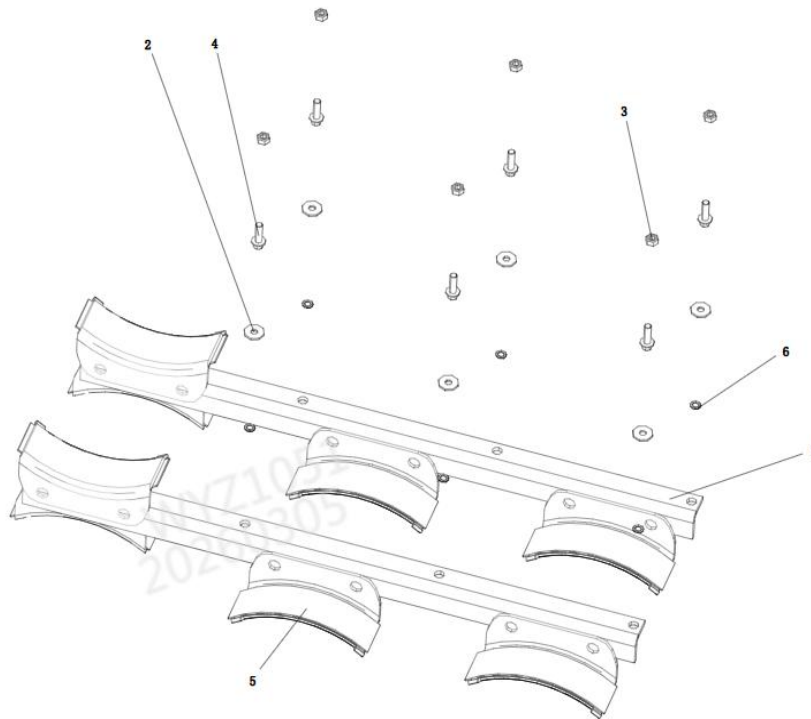
1	06.11251.2005	Hexagon Nut With Flange/M7.112.40 M14*1.5-10-MAN183B1	2
2	188000360083	Support Plate	1
3	DZ9X189181001	Fastening Strap -200	7
4	DZ9100360220	Straight Joint	1
5	DZ96259366221	Transition Joint/NPT 1/8/Φ6	1
6	DZ97259090016	Electric Control Air Horn	1
7	DZ97259090043	Snail Air Horn Bracket (RHD)	1
8	DZ97259360045	Hexagon Head Plug (Ng8-M16 × 1.5)	2
9	DZ97259360176	Elastic Pad (Ng8)	8
10	DZ97259360177	Elastic Pad (Ng12)	4
11	DZ97259360178	Snap Ring (Ng8)	8
12	DZ97259360179	Snap Ring (Ng12)	4
13	DZ97259360191	T Joint/DN6 DN6 DN6	1
14	DZ97259366079	Through-Wall Straight Joint/NG12 M18×1.5	1
15	DZ97259366081	Straight Joint	2
16	DZ97259366082	Straight Joint	1
17	DZ97259366084	Right-Angle Joint	2
18	DZ97259366114	Hexagon Connecting Seat/NG8	8
19	DZ97259366115	Hexagon Connecting Seat/NG12	4
20	Q351B18T15F3	Hexagon Thin Nut	1
21	Q33006T2F60	All Metal Hexagonal Flange Locking Nut	8
22	Q33008T2F60	All Metal Hexagonal Flange Locking Nut	4
22	Q33008T2F60	All Metal Hexagonal Flange Locking Nut	2
23	Q1811430TF3	Hexagon Flange Facing Toothed Bolt	2
24	Q1840640T1F31	Hexagon Flange Bolt	4
25	Q1840835T1F31	Hexagon Flange Bolt	2
26	Q1840840T1F31	Hexagon Flange Bolt	2
27	81.51710.0751	Pipeline Bracket	1
28	81.51710.0845	Bracket	2
29	81.52340.0518	Bracket	2
29	81.52340.0518	Bracket	2
30	81.93021.0113	Bushing	4
31	DZ93189360034	Master Brake Valve	1
32	DZ93189360061	Hand Brake Valve	1
33	DZ97189090010	Pipe Bundle Support Brackct	1
34	DZ97259090022	Pipeline Bracket/Front Cover	1
35	DZ97259189735	Pipe Bundle Support Brackct	1
36	Q67683	Type B Worm Drive Hose Hoop	1
37	DZ97189090000	Handbrake Cover Plate Plug/HX	1
38	DZ93259360016	Corrugated Pipe	1
39	81.98181.6185	Fixed Plate (R)	1

Front Axle Braking Device



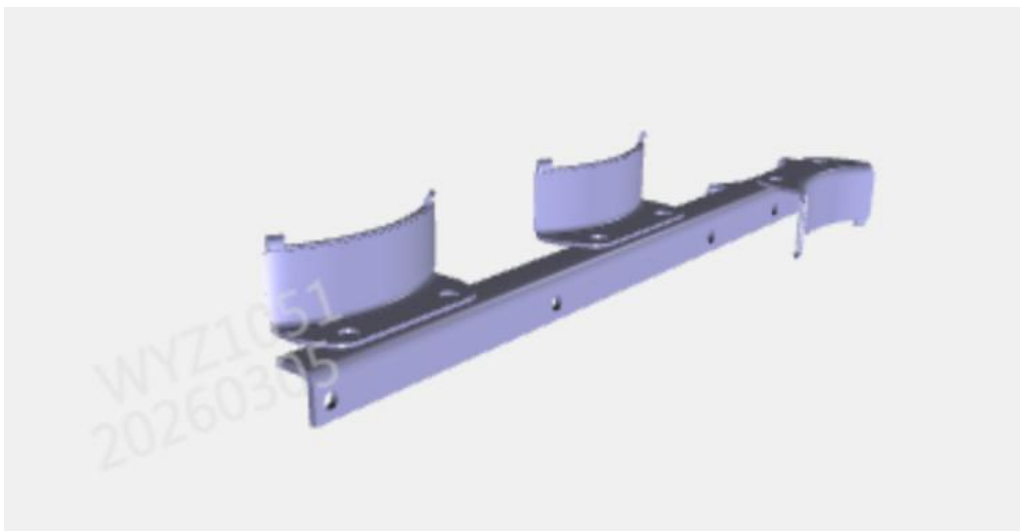
Reference number	Part Number	Part Name	quantity
1	DZ9100360173	Hose Assembly	4
2	DZ97189361007	T-Connector	4
3	DZ92189366079	Straight Joint	4
4	Q40318	Spring Washer	4
5	Q351B18T15F3	Hexagon Thin Nut	4

Air Reservoir Bracket



Reference number	Part Number	Part Name	quantity
1	DZ97189361069	Air Reservoir Bracket Welding Assembly/B4	2
2	Q402B08	Large Washer (Galvanized)	6
3	Q340B08T2F60	Type 1 Hex Nut	6
4	Q1840825T1F31	Hexagon Flange Bolt	6
6	Q40308F60	Spring Washer*	6

Air Reservoir Bracket Welding Assembly/B4



Reference number	Part Number	Part Name	quantity
	DZ97189361030	Air Reservoir Bracket	4
	DZ97189361054	Air Reservoir Bracket (Lower)	1
	DZ97189361070	Shim (40)	4

Air compressor pipeline

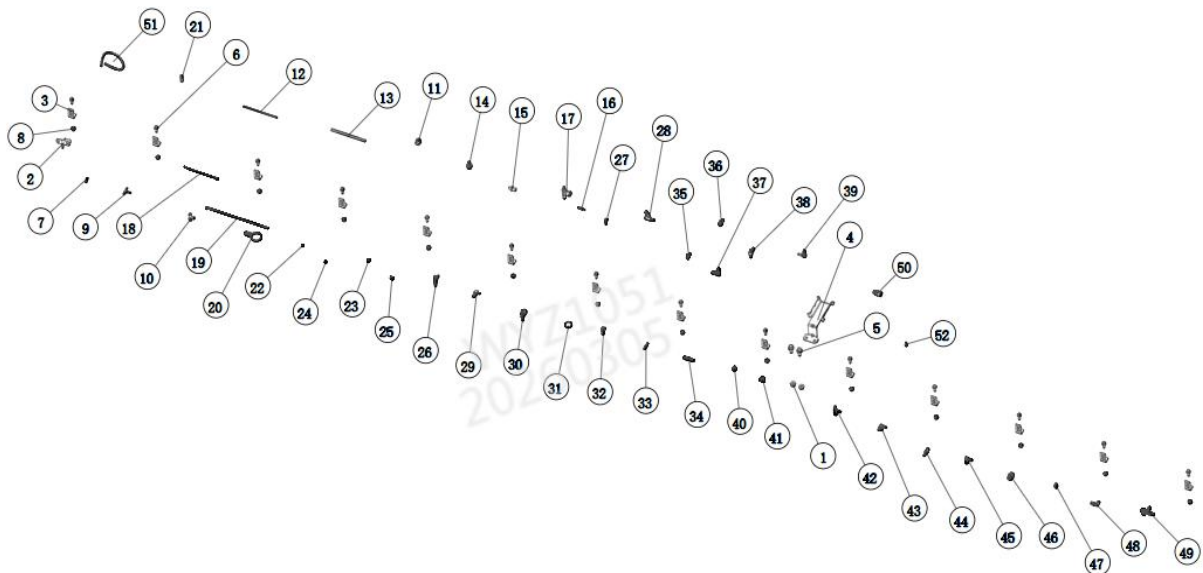
Reference number	Part Number	Part Name	quantity
	DZ97259361204	Steel Pipe	1
	DZ97259189107	L-Shaped Pipe Bracket	1
	Q1840820T1F31	Hexagon Flange Bolt	1
	DZ96189360036	Fixing Bracket	1
	DZ97319362007	Single Pipe Clamp (Φ 20)	4
	Q1840645T1F31	Hexagon Flange Bolt	4
	Q33006	All Metal Hexagonal Flange Locking Nut-	5
	DZ93319360019	Stainless Steel Metal Hose	1
	DZ97259365016	Steel Pipe Assembly 20	1
	DZ95259360317	L Bracket	1
	Q1811440TF3	Toothed Bolt With Hexagon Flange Face	1
	06. 11251. 2005	Hexagon Nut With Flange/M7.112.40 M14*1.5-10-MAN183B1	1
	DZ97319362007	Single Pipe Clamp (Φ 20)	2
	Q1840645T1F31	Hexagon Flange Bolt	2
	Q33006	All Metal Hexagonal Flange Locking Nut-	2
	188000360083	Support Plate	1
	Q1811440TF3	Toothed Bolt With Hexagon Flange Face	1
	06. 11251. 2005	Hexagon Nut With Flange/M7.112.40 M14*1.5-10-MAN183B1	1
	DZ9L149470495	Single Pipe Clamp/20	1
	Q1840620T1F31	Hexagon Flange Bolt	1
	Q80320	Sleeve Type Single-Ended Straight Joint	1
	DZ97319362091	Disc Assembly (Without Oil Water Separator)	1
	Q1811440TF3	Toothed Bolt With Hexagon Flange Face	4
	06. 11251. 2005	Hexagon Nut With Flange/M7.112.40 M14*1.5-10-MAN183B1	4
	DZ97259366202	Right-Angle Joint	1
	DZ97259366115	Hexagon Connecting Seat/NG12	1
	DZ97259360179	Snap Ring (Ng12)	1
	DZ97259360177	Elastic Pad (Ng12)	1
	DZ95189360147	Low Temp Polyamide Tube PA11-16×2	1

Main Brake Pipeline

Reference number	Part Number	Part Name	quantity
	DZ96189361084	Air Handling Unit (WABCO/Oil Filter)	1
	Q150B1220	Hexagon Head Bolt (Galvanized)	3
	DZ96259360020	Bracket Assembly	1
	Q150B1230TF3	Hexagon Head Bolt	4
	Q33212T13F3	2 Type All Metal Hexagonal Lock Nut*	4
	81. 52101. 6269	Voltage Limit Valve	1
	DZ9100360320	Five Way Air Distribution Joint With One-Way Valve	1
	Q351B22T15	Hexagon Thin Nut	1
	Q150B0870	Hexagonal Head Bolt 06.01013.7119	2
	Q33208T2F3	2 Type All Metal Hexagonal Lock Nut	2
	DZ95189360070	Seven-Path Plastic Air Distributing	1
	DZ97189361058	Aluminum Alloy Air Reservoir Assembly/30L	2
	DZ97189361059	Aluminum Alloy Air Reservoir Assembly/40L	1

DZ97189361074	Aluminum Alloy Air Reservoir	1
DZ97189361062	Fastening Strap	8
120900190017	Tensioning Pin	8
117000550013	Tension Pin	8
DZ91189360880	Hexagon Socket Head Cap Screw	8
DZ96189360645	Bracket	1
DZ95259360105	Driving Relay Valve	1
Q150B0825T1F3	Hexagon Head Bolt	2
Q33208T2F3	2 Type All Metal Hexagonal Lock Nut	6
DZ9114360400	Bracket Assembly	1
Q1811455TF3	Toothed Bolt With Hexagon Flange Face	2
06. 11251. 2005	Hexagon Nut With Flange/M7. 112. 40 M14*1. 5-10-MAN183B1	2
DZ95259360105	Driving Relay Valve	1
DZ95259360105	Driving Relay Valve	1
Q150B0825T1F3	Hexagon Head Bolt	2
Q33208T2F3	2 Type All Metal Hexagonal Lock Nut	8
81. 51260. 6054	Drain Valve	1

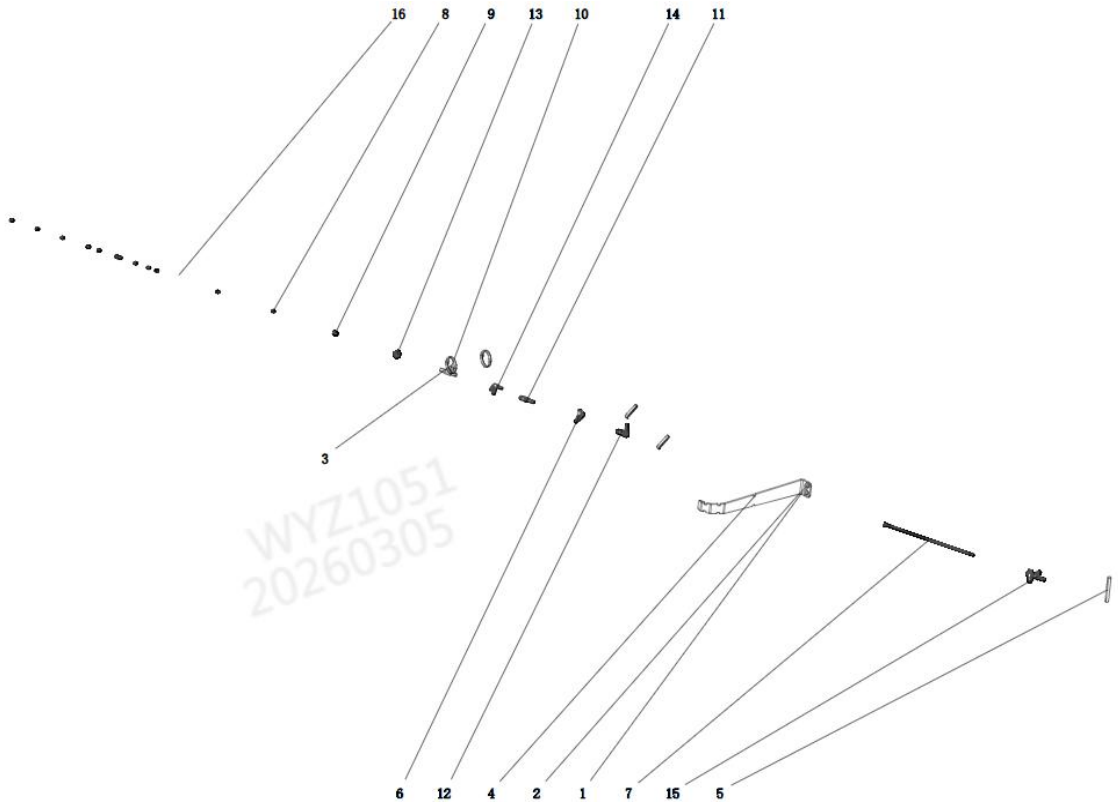
Brake Pipeline



Reference number	Part Number	Part Name	quantity
1	06. 11251. 2005	Hexagon Nut With Flange/M7. 112. 40 M14*1. 5-10-MAN183B1	2
2	DZ95189360243	Air Pressure Sensor Bracket	1
3	DZ97189777220	L Bracket	14
4	DZ97259361467	Cross-Beam Bracket	1
5	Q1811435TF3	Hexagon Flange Facing Toothed Bolt	2
6	Q1841030T1F31	Hexagon Flange Bolt	14
7	Q33006	All Metal Hexagonal Flange Locking Nut-Galvanized	2
8	Q33010	All Metal Hexagonal Flange Locking Nut-Galvanized	14
9	81. 98181. 6127	T-Shaped Joint	1
10	81. 98181. 6233	T Joint	1
11	81. 98181. 6313	Transition Joint	1
12	190003179782	Polyamide Tube	20
13	190003179785	Polyamide Tube	30

14	DZ9100360212	Transition Joint	2
15	DZ92189360010	Straight Connector	1
16	DZ92189366081	Straight Connector	1
17	DZ92189366178	T Joint	2
18	DZ93189777161	Ordinary Narrow Cable Tie	50
19	DZ93189777163	Ordinary Wide Cable Tie	10
20	DZ93189777168	Septal Cable Tie	5
21	DZ95189360101	Polyamide Pipe Pall-16 × 2 Qc/T80-1993	10
26	DZ97259360188	T Joint/DN9	1
27	DZ97259360191	T Joint/DN6 DN6 DN6	1
28	DZ97259366048	Corner Joint Body	4
29	DZ97259366049	Right-Angle Joint	3
30	DZ97259366050	T Joint	2
31	DZ97259366051	Plug M22 × One Point Five	6
32	DZ97259366064	T-Joint Body	1
33	DZ97259366081	Straight Joint	3
34	DZ97259366083	Straight Joint/NG12 DN9	5
35	DZ97259366084	Right-Angle Joint	5
36	DZ97259366085	Right-Angle Joint	2
37	DZ97259366086	Right-Angle Joint/NG12 DN9	20
38	DZ97259366088	T-Shaped Joint	1
39	DZ97259366091	Right-Angle Joint	1
42	DZ97259366131	T-Shaped Joint	2
43	DZ97259366140	Right-Angle Joint	1
44	DZ97259366201	Straight Connector	2
45	DZ97259366202	Right-Angle Joint	6
47	DZ97259366229	Straight Connector Body Ng6-M12 × 1.5	2

Drive Axle Air Brake Pipeline



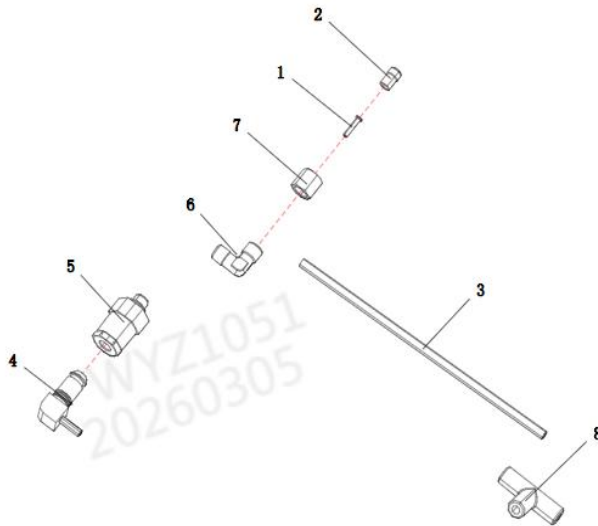
Reference number Part Number Part Name quantity

	190003989310	Hose Clamp/ 51/70-N05074	4
	81. 51710. 0751	Pipeline Bracket	4
	Q402B08F60	Large Washer*	2
	Q40308	Spring Washer 190003931102	2
	Q340B08T2F3	Type 1 Hex Nut	2
	DZ97259180023	Drive Axle Air Brake Pipeline	1
	DZ93259360016	Corrugated Pipe	1
4	DZ95259362707	Rear Axle Harness Bracket	1
7	DZ93189777163	Ordinary Wide Cable Tie	24
12	DZ97259366086	Right-Angle Joint/NG12 DN9	2
16	Q150B0835	Hexagonal Head Bolt	2

Drive Axle Air Brake Pipeline

Reference number	Part Number	Part Name	quantity
	DZ97259360188	T Joint/DN9	4
	DZ97259366086	Right-Angle Joint/NG12 DN9	4
	DZ97259366084	Right-Angle Joint	1
	DZ97259366140	Right-Angle Joint	1
	DZ92189366297	T-Joint	7
	DZ97259366088	T-Shaped Joint	1
	DZ97319366178	Right-Angle Joint	1
	190003179785	Polyamide Tube	2

PTO Pneumatic Control/QH50

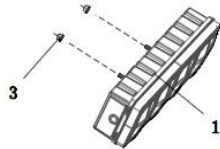
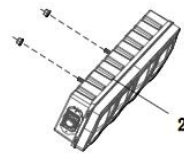


Reference number	Part Number	Part Name	quantity
1	199014280016	Bushing	1
2	190003559561	Ferrule	1
3	190003179782	Polyamide Tube	1
4	DZ97259366049	Right-Angle Joint	1
5	DZ9X189366092	Straight Connector (M10×1-NG8)	1
6	190003559496	Sleeve Type Conical-Ended Angled Joint	1
7	190003559516	Pipe Joint Nut	1
8	81. 98181. 6065	T-Shaped Joint	1

Chassis Electrical

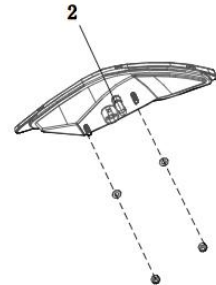
Tail lights and brackets

20260-



Reference number	Part Number	Part Name	quantity
1	DZ95189811211	Left Combination Tail Lamp (Half LED)	1
2	DZ95189811212	Right Combination Taillight/Half LED	1
3	Q33008T2F60	All Metal Hexagonal Flange Locking Nut	2
3	Q33008T2F60	All Metal Hexagonal Flange Locking Nut	2

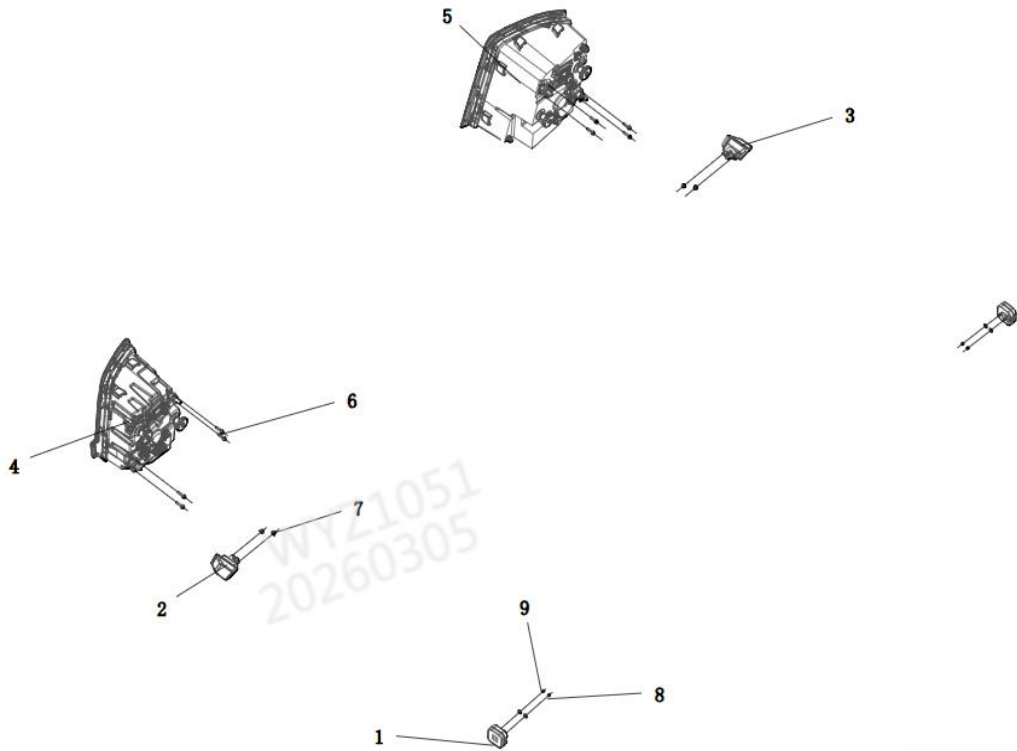
Sun Shade Lamp



WYZ1051
20260305

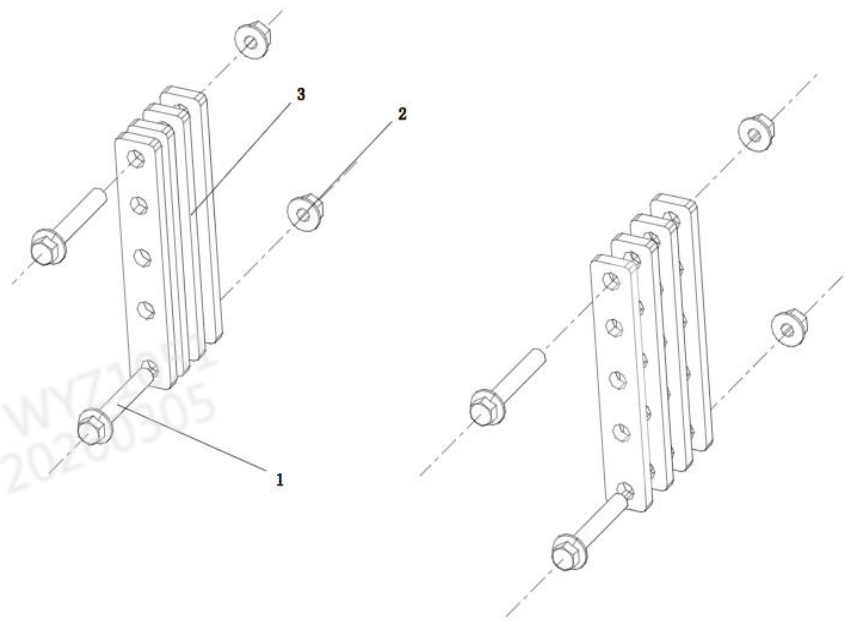
Reference number	Part Number	Part Name	quantity
1	DZ97189721210	Left Side Marker Light	1
2	DZ97189721220	Right Side Marker Light	1
3	Q340B06F60	Type 1 Hex Nut	2
3	Q340B06F60	Type 1 Hex Nut	2
4	Q401B06	Flat Washer	2
4	Q401B06	Flat Washer	2

front headlight assembly



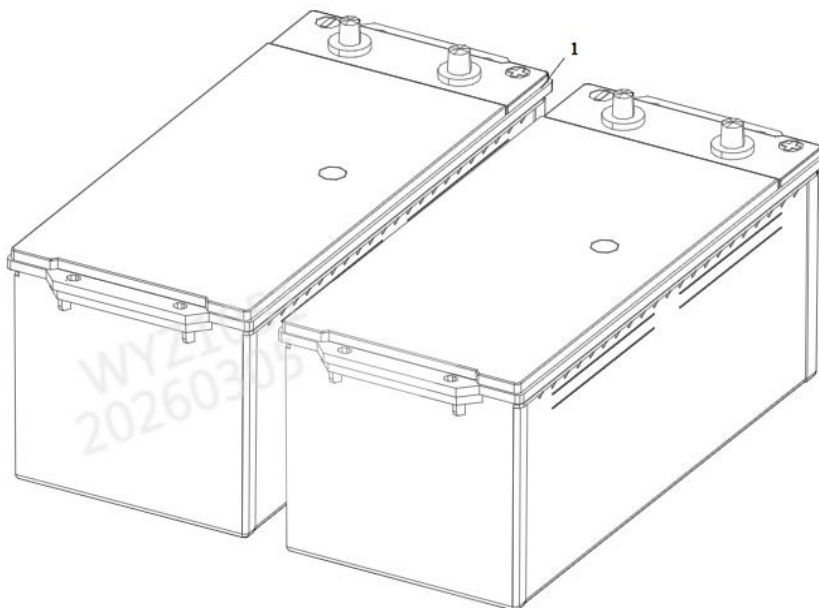
Reference number	Part Number	Part Name	quantity
	DZ97189723353	Left Front Combination Light (Full LED)	1
	Q1840625T1F31	Hexagon Flange Bolt	4
	DZ97189723354	Right Front Combination Light	1
	Q1840625T1F31	Hexagon Flange Bolt	4
	DZ97189721331	Left Turn Signal (LED)	1
	Q33006	All Metal Hexagonal Flange Locking Nut-Galvanized	2
	DZ97189721332	Right Turn Signal Lamp/LED	1
	Q33006	All Metal Hexagonal Flange Locking Nut-Galvanized	2
	81.25260.6101	Side Marker Light (With 1400Mm Wire)	1
	Q402B05	Large Washer (Galvanized)	2
	Q340B05	Type 1 Hex Nut	2
	81.25260.6101	Side Marker Light (With 1400Mm Wire)	1
	Q402B05	Large Washer (Galvanized)	2
	Q340B05	Type 1 Hex Nut	2

Battery Fixation



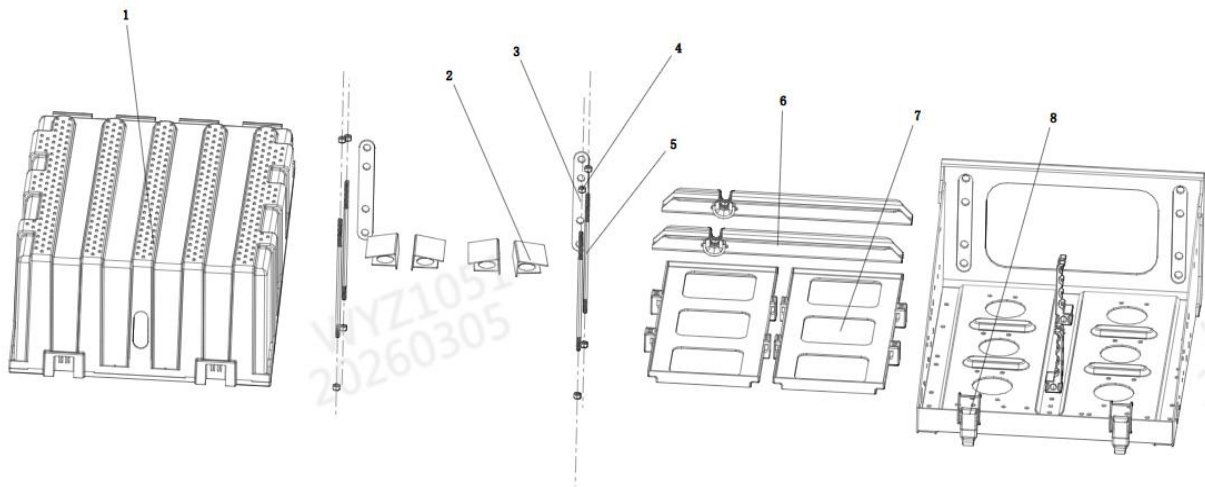
Reference number	Part Number	Part Name	quantity
1	Q1811480TF3	Toothed Bolt With Hexagon Flange Face	4
2	06.11251.2005	Hexagon Nut With Flange/M7.112.40 M14*1.5-10-MAN183B1	4
3	DZ9100760024	Battery Case Bracket Cushion Plate	8

Battery



Reference number	Part Number	Part Name	quantity
1	DZ95189761465	Maintenance-Free Battery/165Ah	2

Battery Box



Reference number	Part Number	Part Name	quantity
1	DZ95189761120	Battery Box Cover	1
2	81.25470.0035	Pole Guard	4
3	DZ9100760025	Battery Box Bracket Plate	2
4	Q33208T2F3	2 Type All Metal Hexagonal Lock Nut	8
5	81.95120.0164	Tie Rod	4
6	DZ95189761040	U-Partition Plate	2
7	DZ95189761030	Battery Frame Assembly	2
8	DZ95189761010	Battery Box Assembly	1

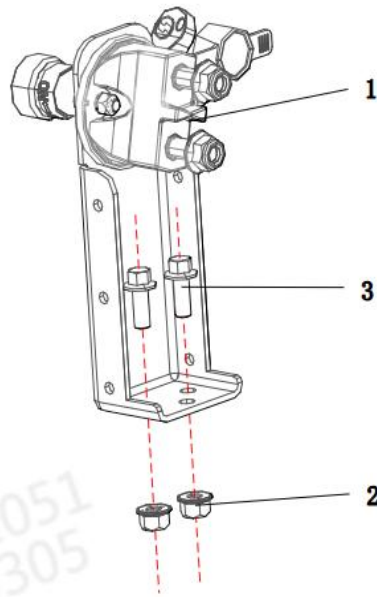
Battery Box Assembly

Reference number	Part Number	Part Name	quantity
	DZ96259189715	Wire Harness Fixing Card - Battery	2
	DZ95189761011	Battery Box Welding Assembly	1
	DZ95189761013	Lock Buckle Assembly	2
	Q150B0612	Hexagonal Head Bolt	4
	Q33206	2 Type All Metal Hexagonal Lock Nut*	4

Battery Box Welding Assembly

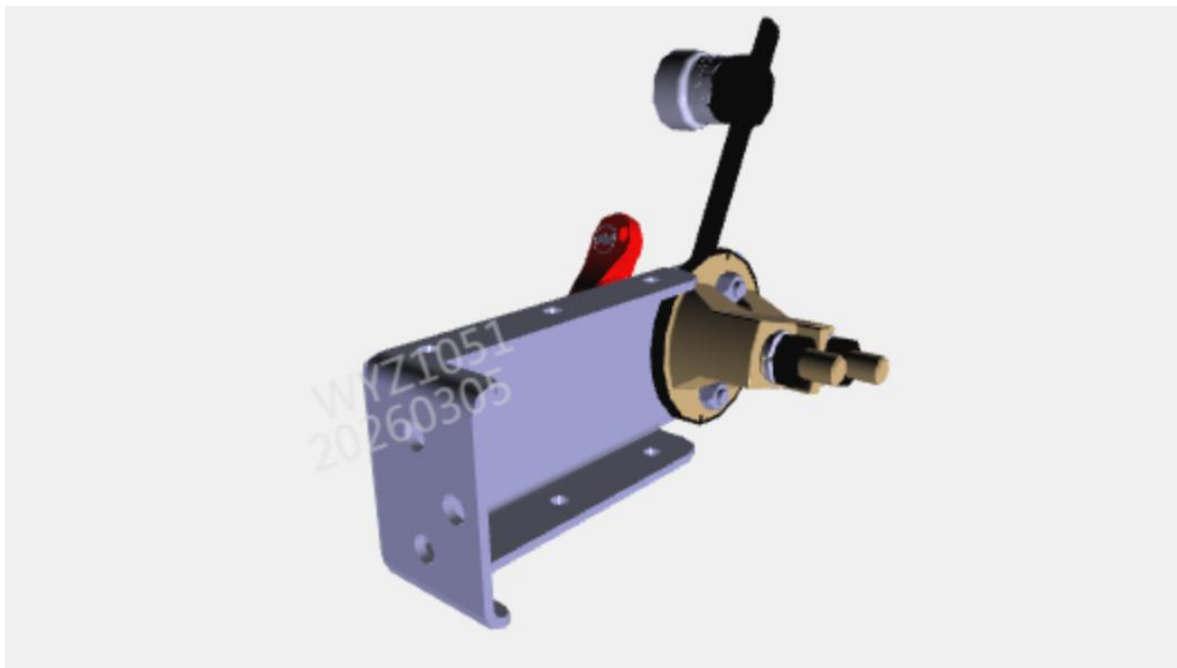
Reference number	Part Number	Part Name	quantity
	81.41860.2456	Battery Box (Rear)	1
	DZ95189761012	Battery Box (Bottom)	1

Rear Battery Box



Reference number	Part Number	Part Name	quantity
1	DZ97189763039	Master Power Switch	1
2	Q1840820T1F31	Hexagon Flange Bolt	2
3	Q33008T2F60	All Metal Hexagonal Flange Locking Nut	2

Master Power Switch



Reference number	Part Number	Part Name	quantity
	DZ97189763032	Installation Bracket For Power Switch	1
	DZ97189763036	Master Power Switch	1
	Q150B0620	Bolt	2

Q33206	2 Type All Metal Hexagonal Lock Nut*	2
Q401B06	Flat Washer	2
Q40306	Spring Washer	2

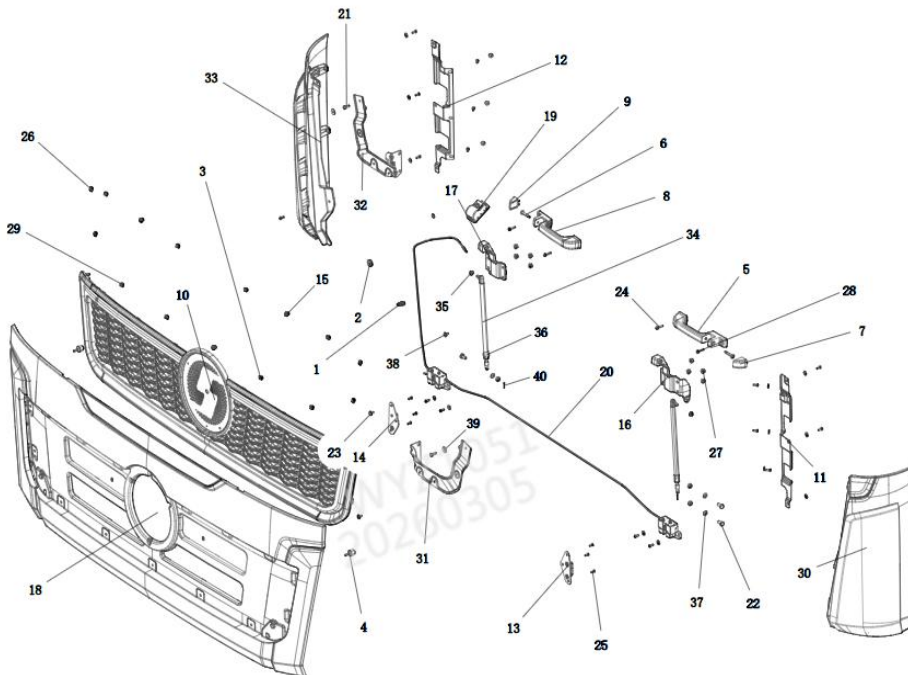
Master Power Switch



Reference number	Part Number	Part Name	quantity
	DZ97189763037	Master Power Switch	1
	DZ97189763038	Power Main Switch Handle	1

Cab Gp

Front Grille



Reference number	Part Number	Part Name	quantity
1	81.97470.0073	Plastic Fastening Belt	1
2	DZ13241110076	Cable Sheath	1
3	DZ14251110022	Reed Nuts	12
4	DZ14251110030	Buffer Block Assembly	2

5	DZ14251110043	Front Grille Left Handle Assembly	1
6	DZ14251110045	Cross Recessed Pan Head Screw	2
7	DZ14251110047	Front Grille Left Handle Decorative Cover 2	1
8	DZ14251110052	Front Grille Right Handle Assembly	1
9	DZ14251110055	Front Grille Right Handle Decorative Cover 2	1
10	DZ14251110512	Cover Grille Assembly	1
11	DZ14251110527	Left Angle Spoiler Mounting Plate	1
12	DZ14251110528	Right Spoiler Angle Plate Mounting Plate	1
13	DZ14251110533	Left Lock Ring Mounting Plate	1
14	DZ14251110534	Right Lock Ring Mounting Plate	1
15	DZ14251110540	Install The Buckle	3
16	DZ14251110543	Left Mounting Hinge	1
17	DZ14251110544	Right Mounting Hinge	1
18	DZ14251110560	Front Cover Body Sub Assembly	1
19	DZ14251111075	Mask Lock Handle/RHD	1
20	DZ14251111531	Mask Lock Seat And Pull Rod Assembly/RHD	1
21	Q150B0820T1F3	Hexagon Head Bolt	2
22	Q150B1020T1F3	Hexagon Head Bolt	4
23	Q2140616F60	Cross Recessed Pan Head Screw	20
24	Q2140630	Cross Recessed Pan Head Screw	4
25	Q2540616	Cross Recessed Countersunk Head Screw	6
26	Q2714816F31	Cross Recessed Countersunk Head Screw	12
27	Q32208	Hexagon Nut And Conical Elastic Washer Assembly (Galvanized)**	8
28	Q401B06	Flat Washer	4
29	Q402B05F60	Large Washer	12
30	DZ14251110520	Left Spoiler Angle Plate Assembly	1
31	DZ14251110525	Front Grille Lock Left Mounting Bracket	1
32	DZ14251110526	Front Grille Lock Right Mounting Bracket Assembly	1
33	DZ14251110530	Right Spoiler Angle Plate Assembly	1
34	DZ14251111040	Gas Spring Assembly/X5000	2
35	Q33008	All Metal Hexagonal Flange Locking Nut- Galvanized	2
36	Q340B10T2F3	Type 1 Hex Nut	4
37	Q401B10	Flat Washer	4
38	Q402B06F60	Large Washer	20
39	Q402B08	Large Washer (Galvanized)	2
40	Q5002020	Cotter Pin	2

Front Grille Left Handle Assembly



Reference number	Part Number	Part Name	quantity
	DZ14251110044	Front Grille Left Handle	1
	DZ14251110046	Front Grille Left Handle Decorative Cover 1	1
	DZ14251110048	Front Grille Handle Rubber Pad 1	1
	DZ14251110049	Front Grille Handle Rubber Pad 2	1

Front Grille Right Handle Assembly



Reference number	Part Number	Part Name	quantity
	DZ14251110053	Front Grille Right Handle	1
	DZ14251110054	Front Grille Right Handle Decorative Cover 1	1
	DZ14251110048	Front Grille Handle Rubber Pad 1	1
	DZ14251110049	Front Grille Handle Rubber Pad 2	1

Cover Grille Assembly



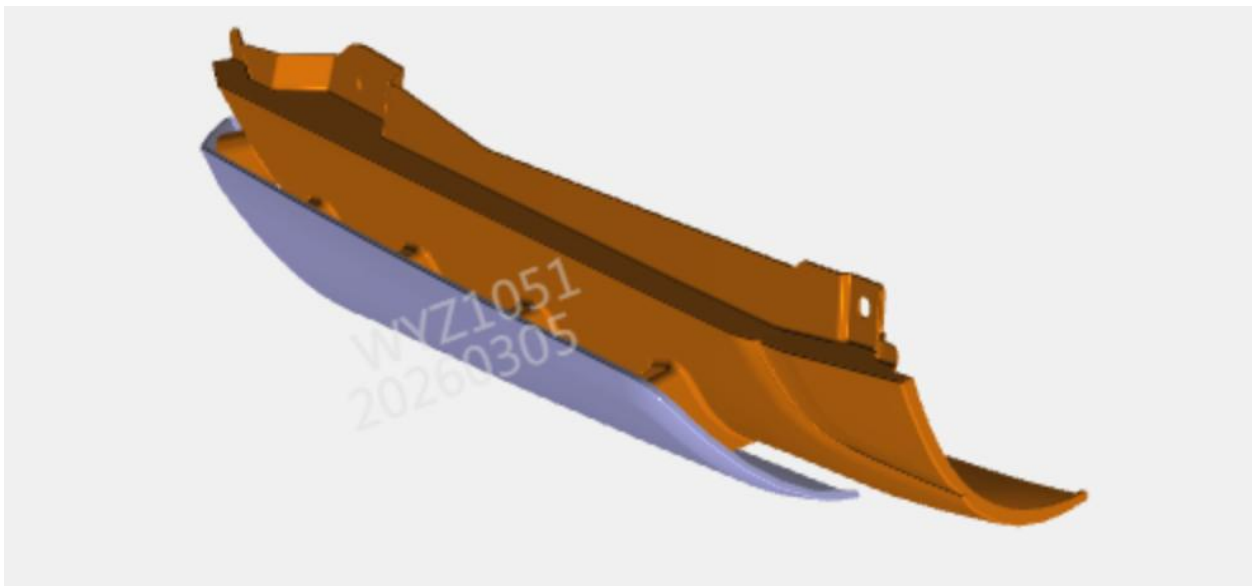
Reference number	Part Number	Part Name	quantity
	DZ14251110513	Cover Grille	1
	DZ14251110515	Cover Grille Left Bright Strip	1
	DZ14251110516	Cover Grille Right Bright Strip	1
	DZ14251110517	Bright Strip Under The Cover Grille	1
	DZ14251110541	Logo Left Bright Bar	1
	DZ14251110542	Logo Right Bright Bar	1
	Q2715513	Cross Recessed Countersunk Head Screw	18

Front Cover Body Sub Assembly



Reference number	Part Number	Part Name	quantity
	DZ14251110511	Front Cover Body	1
	DZ14251110537	Left Cover Plate/Front Grille	1
	DZ14251110538	Front Grille Plate//Front Grille	1
	DZ14251110539	Front Grille Upper Cover Plate	1
	DZ14251110547	Insect Prevention Net I/X5000	2
	DZ14251110548	Insect Prevention Net li/X5000	2
	DZ14251110554	Positioning Spring	2
	Q236B0616F60	Cross Recessed Pan Head Screw, Spring Washer And Plain Washer Combination	37
	DZ97189623028	Spring Nut	13

Left Spoiler Angle Plate Assembly



Reference number	Part Number	Part Name	quantity
	DZ14251110521	Left Angle Spoiler Outer Plate	1
	DZ14251110523	Left Angle Spoiler Inner Plate	1
	DZ97189623028	Spring Nut	5
	SXQ230B0616F60L	Cross Slotted Screw And Washer Combination	2
	Q402B06	Large Washer (Galvanized)	4
	Q2715516	Cross Recessed Countersunk Head Screw	4

Front Grille Lock Left Mounting Bracket Assembly



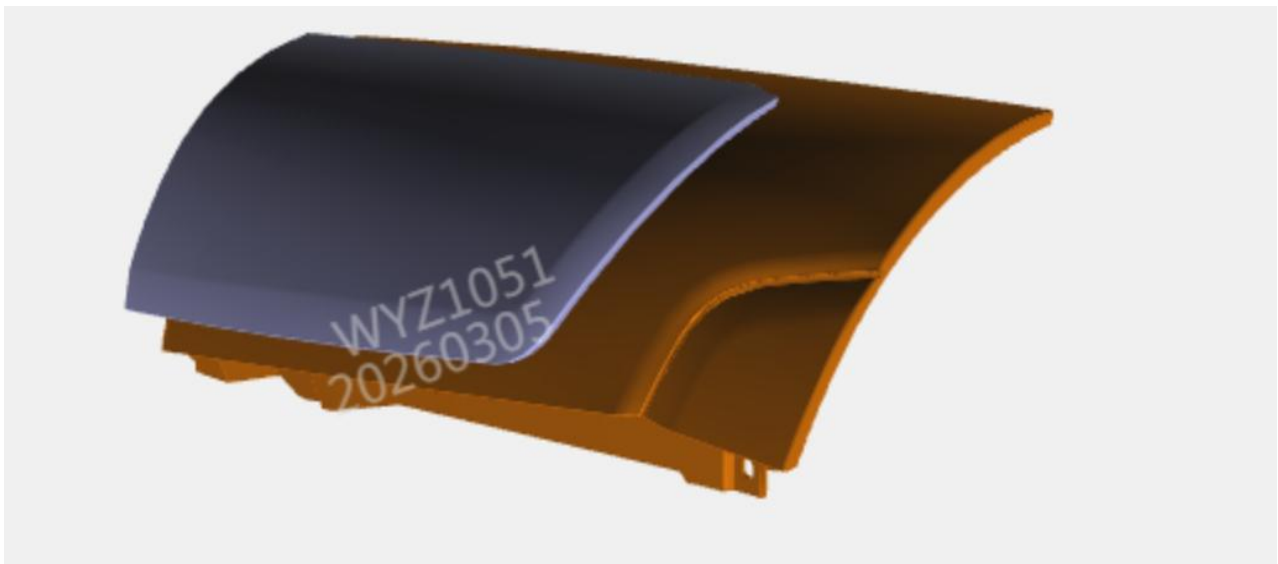
Reference number	Part Number	Part Name	quantity
	DZ14251110535	Front Grille Lock Left Mounting Bracket	1
	Q37106	Welding Square Nut	3

Front Grille Lock Right Mounting Bracket Assembly



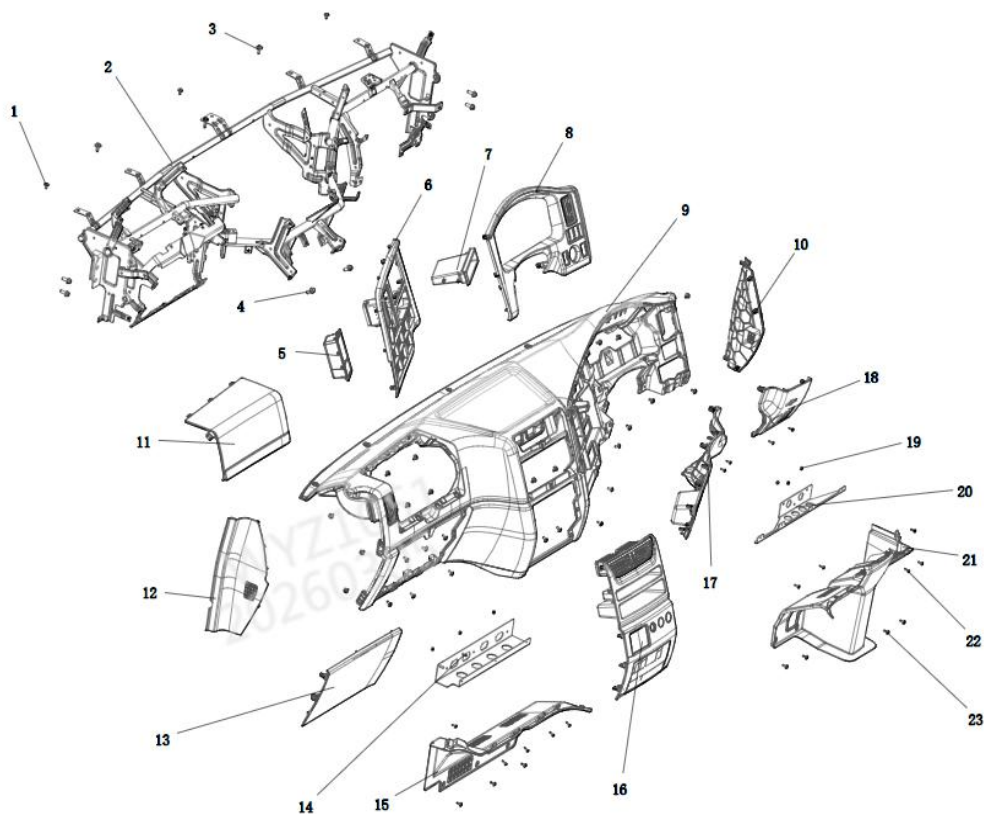
Reference number	Part Number	Part Name	quantity
	DZ14251110536	Front Grille Lock Right Mounting Bracket	1
	Q37106	Welding Square Nut	3

Right Spoiler Angle Plate Assembly



Reference number	Part Number	Part Name	quantity
	DZ14251110522	Right Spoiler Angle Plate Outer Plate	1
	DZ14251110524	Right Spoiler Angle Plate Inner Plate	1
	DZ97189623028	Spring Nut	5
	SXQ230B0616F60L	Cross Slotted Screw And Washer Combination	2
	Q402B06	Large Washer (Galvanized)	4

Instrument panel body



Reference number	Part Number	Part Name	quantity
1	SXQ230B0616F60L	Cross Slotted Screw And Washer Combination	29
2	DZ14251162800	Instrument Panel Installation Crossbeam Assembly (RHD)	1
3	SXQ230B0825F60L	Cross Slotted Screw And Washer Combination	2
4	Q1841025T1F31	Hexagon Flange Bolt	6
5	DZ14251160324	Storage Box	1
6	DZ14251161200	Control Panel Assembly	1
7	DZ14251160323	Storage Box (1)	1
8	DZ14251161100	Combination Instrument Shield Cover Assembly	1
9	DZ14251161000	Dashboard Body Assembly	1
10	DZ14251162500	Left End Plate Assembly	1
11	DZ14251161400	Relay Box Maintenance Cover Assembly	1
12	DZ14251162400	Right End Plate Assembly	1
13	DZ14251162600	Ecu Access Cover Assembly	1
14	DZ14251161410	Left Instrument Panel Lower Bracket Assembly	1
15	DZ14251162300	Left Lower Guard Board	1
16	DZ14251161300	Middle Panel Assembly	1
17	DZ14251162100	Driver's Left Side Knee Protect Board	1
18	DZ14251162000	Driver's Right Side Knee Protect Board	1
19	Q340B06F60	Type 1 Hex Nut	3
19	Q340B06F60	Type 1 Hex Nut	3
20	DZ14251161412	Driver's Side Lower Quarter Panel Mounting Bracket (RHD)	1
21	DZ14251162200	Right Lower Guard Board Assembly	1
22	Q221B4219F60	Cross Recessed Pan Head Tapping Screw And Flat Washer Assembly	2
22	Q221B4219F60	Cross Recessed Pan Head Tapping Screw And Flat Washer Assembly	2

22	Q221B4219F60	Cross Recessed Pan Head Tapping Screw And Flat Washer Assembly	5
22	Q221B4219F60	Cross Recessed Pan Head Tapping Screw And Flat Washer Assembly	5
23	Q221B4819F60	Cross Recessed Pan Head Tapping Screw And Flat Washer Assembly	4
23	Q221B4819F60	Cross Recessed Pan Head Tapping Screw And Flat Washer Assembly	3

Instrument Panel Installation Crossbeam Assembly (RHD)

Reference number	Part Number	Part Name	quantity
	DZ14251160351	Tube	1
	DZ14251160352	Tube	2
	DZ14251160353	Middle Connecting Pipe	1
	DZ14251160354	IP Left Front Mounting Bracket	2
	Q37106	Welding Square Nut	2
	DZ14251160355	IP Intermediate Front Mounting Bracket	1
	DZ14251160413	Locating Pin	1
	Q37106	Welding Square Nut	1
	DZ14251160415	Instrument Panel Body Reinforcement Plate	1
	Q37106	Welding Square Nut	2
	DZ14251160416	Instrument Panel Body Reinforcement Plate Bracket	1
	Q37106	Welding Square Nut	1
	DZ14251160357	IP Front Body Mounting Bracket	2
	DZ14251160359	Left Mounting Bracket	1
	DZ14251160360	Right Mounting Bracket	1
	DZ14251162801	Right Bracket	1
	Q37106	Welding Square Nut	1
	DZ14251162802	Left Bracket	1
	Q37106	Welding Square Nut	1
	DZ14251160363	Middle Left Connecting Bracket	1
	DZ14251160364	Middle Right Connecting Bracket	1
	Q37106	Welding Square Nut	2
	DZ14251160365	Left Large Pipe Connection Bracket	1
	DZ14251160366	Right Large Pipe Connection Bracket	1
	DZ14251162803	Middle Right Lower Mounting Bracket	1
	DZ14251162804	Middle Left Lower Mounting Bracket	1
	Q37106	Welding Square Nut	2
	DZ14251162805	Controller Right Mounting Bracket	1
	Q37106	Welding Square Nut	9
	DZ14251162806	Controller Left Mounting Bracket (RHD)	1
	Q37106	Welding Square Nut	6
	DZ14251160371	Left Upper Bracket/Power Distribution Box	1
	Q37106	Welding Square Nut	1
	DZ14251160372	Upper Right Bracket/Power Distribution Box	1
	Q37106	Welding Square Nut	1
	DZ14251160373	Lower Left Bracket/Power Distribution Box	1
	Q37106	Welding Square Nut	2
	DZ14251160374	Lower Right Bracket/Power Distribution Box	1
	Q37106	Welding Square Nut	2
	DZ14251162807	IP Left Upper Right Bracket	1
	Q37106	Welding Square Nut	1
	DZ14251162808	IP Left Upper Bracket	1
	Q37106	Welding Square Nut	1

DZ14251162809	Q37106	Knee Guard Mounting Bracket (RHD)	1
DZ14251160378	Q37106	Welding Square Nut	1
Q1980610		IP Main Positioning Bracket	1
DZ14251162810		Welding Square Nut	1
DZ14251162811	Q37106	Face Projection Welding Bolt	1
DZ14251160381		IP Lower Right Mounting Bracket	1
DZ14251160382		IP Intermediate Middle Mounting Bracket	1
DZ14251160383	Q37106	Welding Square Nut	2
DZ14251160385	Q37106	Connecting Bracket	1
DZ14251162812	Q37106	Left Mounting Bracket/Wiring Harness	1
DZ14251162813	Q37106	Left Pipe Connection Bracket	2
DZ14251162814		Welding Square Nut	1
DZ14251160389		Left Lower Wiring Harness Fixing Bracket	3
DZ14251162815	Q37106	Welding Square Nut	3
DZ14251160392	Q37106	IP Upper Right Bracket	1
DZ14251160393	Q37106	Welding Square Nut	1
DZ14251160394	Q37106	Middle Upper Right Mounting Bracket (RHD)	1
DZ14251162823		Welding Square Nut	1
DZ14251160396		Multimedia Holder (RHD)	1
DZ14251160397		Floor Bracket Assembly	2
DZ14251160398		Middle Lower Mounting Bracket (RHD)	1
DZ14251160399		Welding Square Nut	2
DZ14251160400		Floor Harness Bracket Assembly	2
DZ14251160402		Welding Square Nut	2
DZ14251162821		IP Upper Left Mounting Bracket	1
DZ14251162816	Q37106	Welding Square Nut	1
DZ14251162822	Q37106	IP Upper Right Mounting Bracket	1
DZ14251162817	Q37106	Welding Square Nut	1
DZ14251162818	Q37106	IP Upper Right Mounting Bracket	1
		Welding Square Nut	1
		IP Lower Left Mounting Bracket	1
		IP Lower Right Mounting Bracket	1
		Left Defrosting Duct Installation Bracket	1
		Installation Bracket/Right Defrosting Duct	1
		Left Foot Blowing Duct Installation Bracket	1
		Foot Blowing Air Duct Bracket Assembly	2
		Installation Bracket/Right Foot Blowing Air	1
		Radio Antenna Mounting Bracket (RHD)	1
		IP Intermediate Mounting Bracket	1
		Welding Square Nut	1
		IP Intermediate Middle Mounting Bracket	1
		Welding Square Nut	1
		Left Instrument Panel Reinforcement Bracket (RHD)	1
		Welding Square Nut	1
		Lower Right Mounting Bracket	1
		Welding Square Nut	1

Control Panel Assembly

Reference number	Part Number	Part Name	quantity
	DZ14251161201	Control Panel Body (RHD)	1
	DZ14251160123	Clamp	12
	DZ14251160132	Transmission Oil Temperature Gauge Hole Cap	1
	DZ14251160160	Driver'S Side Blowing Air Vent Assembly	1

Combination Instrument Shield Cover Assembly

Reference number	Part Number	Part Name	quantity
	DZ14251161101	Combination Instrument Cover Body (RHD)	1
	DZ14251160123	Clamp	10
	DZ14251160160	Driver'S Side Blowing Air Vent Assembly	1

Dashboard Body Assembly

Reference number	Part Number	Part Name	quantity
	DZ14251161001	Dashboard Body	1
	DZ14251160116	Spring Nut	12
	DZ14251161002	Front Defrosting Air Duct Upper Body	1
	DZ14251161003	Front Defrosting Air Duct Lower Body	1
	DZ14251160117	Spring Nut	11
	DZ14251160153	Tapping Screw	11
	DZ14251161004	Driver'S Right Side Face Blowing Air Duct	1
	DZ14251161008	Driver'S Right Side Face Blowing Duct	1
	DZ14251160153	Tapping Screw	1
	DZ14251161005	Driver'S Left Side Face Blowing Air Duct	1
	DZ14251160117	Spring Nut	2
	DZ14251160153	Tapping Screw	2
	DZ14251161006	Middle Face Blowing Air Duct	1
	DZ14251160117	Spring Nut	2
	DZ14251160153	Tapping Screw	2
	DZ14251161007	Left Side Face Blowing Air Duct	1
	DZ14251161013	Left Side Face Blowing Air Duct Right	1
	DZ14251160153	Tapping Screw	1
	DZ14251160190	Right Side Blowing Air Duct Assembly	1

Left End Plate Assembly

Reference number	Part Number	Part Name	quantity
	DZ14251162501	Left End Plate Body	1
	DZ14251160123	Clamp	3

Relay Box Maintenance Cover Assembly

Reference number	Part Number	Part Name	quantity
	DZ14251161401	Relay Box Maintenance Cover Body (RHD)	1

	DZ14251160123	Clamp	4
	DZ14251161402	Relay Box Maintenance Cover Decorative Strip	1
	DZ14251160153	Tapping Screw	4

Right End Plate Assembly

Reference number	Part Number	Part Name	quantity
	DZ14251162401	Right End Plate Body	1
	DZ14251160123	Clamp	3

Ecu Access Cover Assembly

Reference number	Part Number	Part Name	quantity
	DZ14251162601	Ecu Maintenance Cover Body	1
	DZ14251160123	Clamp	6

Left Instrument Panel Lower Bracket Assembly

Reference number	Part Number	Part Name	quantity
	DZ14251161411	Left Instrument Panel Lower Bracket	1
	06. 21250. 0305	Welding Studs -M6×20	2

Middle Panel Assembly

Reference number	Part Number	Part Name	quantity
	DZ14251160123	Clamp	10
	DZ14251160143	Cigarette Lighter Hole Blockage Cover	2
	DZ14251160346	Ashtray Cover	1
	DZ14251161301	Middle Panel Body (RHD)	1
	DZ14251161302	Floor Harness Connector Cover Plate	1
	DZ14251161700	Central Face Blowing Air Duct Assembly	1

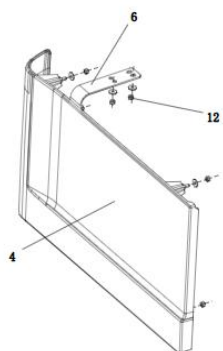
Driver's Left Side Knee Protect Board Assembly

Reference number	Part Number	Part Name	quantity
	DZ14251162101	Driver's Left Knee Protect Plate	1
	DZ14251162102	Knee Protect Plate Storage Box	1
	DZ14251160153	Tapping Screw	4
	DZ14251160123	Clamp	7
	DZ14251160346	Ashtray Cover	1
	DZ14251160116	Spring Nut	2

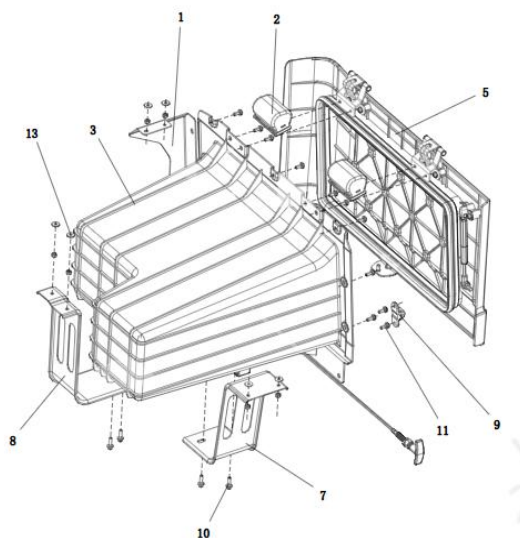
Driver's Right Side Knee Protect Board Assembly

Reference number	Part Number	Part Name	quantity
	DZ14251162001	Driver's Right Knee Protect Plate	1
	DZ14251162002	Engine Diagnostic Interface Cover Plate	1
	DZ14251162003	Card Box	1
	DZ14251160123	Clamp	3
	DZ14251160153	Tapping Screw	1
	DZ14251160117	Spring Nut	1
	DZ14251160116	Spring Nut	1
	DZ14251160116	Spring Nut	1

Tool box



WYZ1051
20260305



Reference number	Part Number	Part Name	quantity
1	DZ14251290052	Left Toolbox Rear Fixed Bracket	1
2	DZ14251290013	Tool Box Hinge Cover	2
3	DZ14251290014	Left Toolbox Body Assembly	1
4	DZ14251290028	Right Side Protect Plate	1
5	DZ14251290030	Left Toolbox Cover Assembly	1
6	DZ14251290005	Set Bracket	1
7	DZ14251290061	Tool Box Front Bracket	1
8	DZ14251290062	Tool Box Rear Bracket	1
9	DZ14251290085	Tool Box Gas Spring Bracket	1
10	Q1840620T1F31	Hexagon Flange Bolt	4

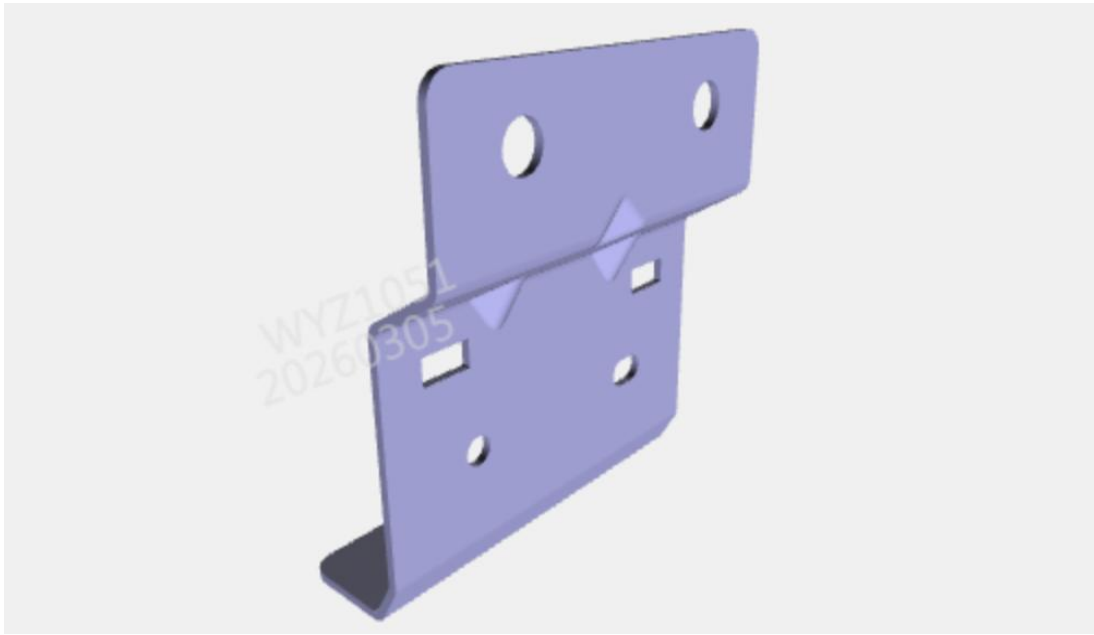
11	Q230B0616F60	Cross Slotted Screw And Washer Combination	13
12	Q340B06F60	Type 1 Hex Nut	13
13	Q402B06F60	Large Washer	13

Left Toolbox Body Assembly



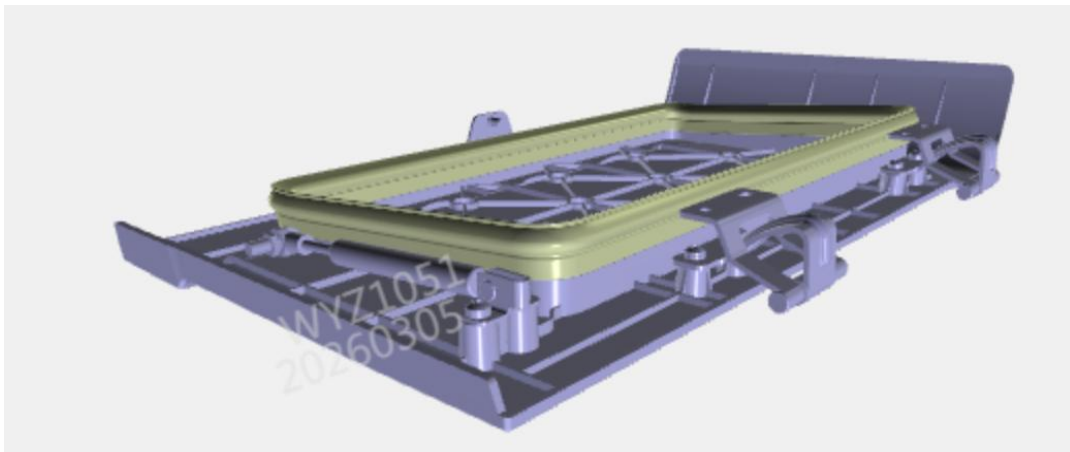
Reference number	Part Number	Part Name	quantity
	DZ14251290015	Left Toolbox Body	1
	DZ14251290017	Left Toolbox Lock Assembly	1
	DZ14251290019	Lock Wire Drawing Assembly	1
	DZ14251290020	Toolbox Foaming	1
	DZ14251290041	Tool Box Lock Bracket Assembly	1
	Q1840620T1F31	Hexagon Flange Bolt	6
	Q1840635T1F31	Hexagon Flange Bolt	4
	Q33206	2 Type All Metal Hexagonal Lock Nut*	4
	Q402B06F60	Large Washer	4

Tool Box Lock Bracket Assembly



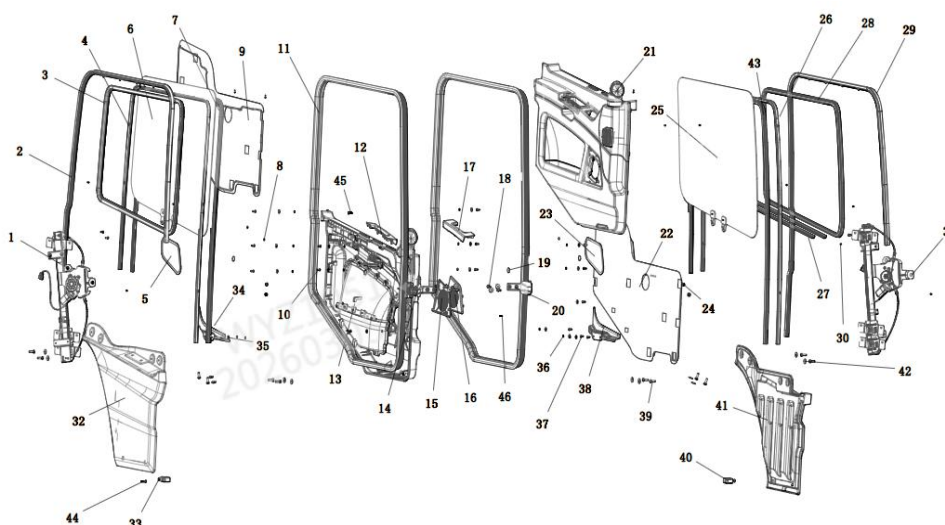
Reference number	Part Number	Part Name	quantity
	Q370C06	Welded Hex Nut	2
	DZ14251290040	Tool Box Lock Bracket	1

Left Toolbox Cover Assembly



Reference number	Part Number	Part Name	quantity
	DZ14251290031	Left Toolbox Cover	1
	DZ14251290033	Tool Box Cover Sealing Strip	1
	DZ14251290056	Locking Pin Assembly	1
	Q2140616F60	Cross Recessed Pan Head Screw	2
	Q401B06F60	Flat Washer	2
	DZ14251290034	Gas Spring Assembly	1
	DZ14251290021	Tool Box Left Hinge Assembly	2
	DZ14251290084	Tool Box Cover Bracket	1
	Q2140616F60	Cross Recessed Pan Head Screw	6
	Q401B06F60	Flat Washer	6
	Q5002020	Cotter Pin	1

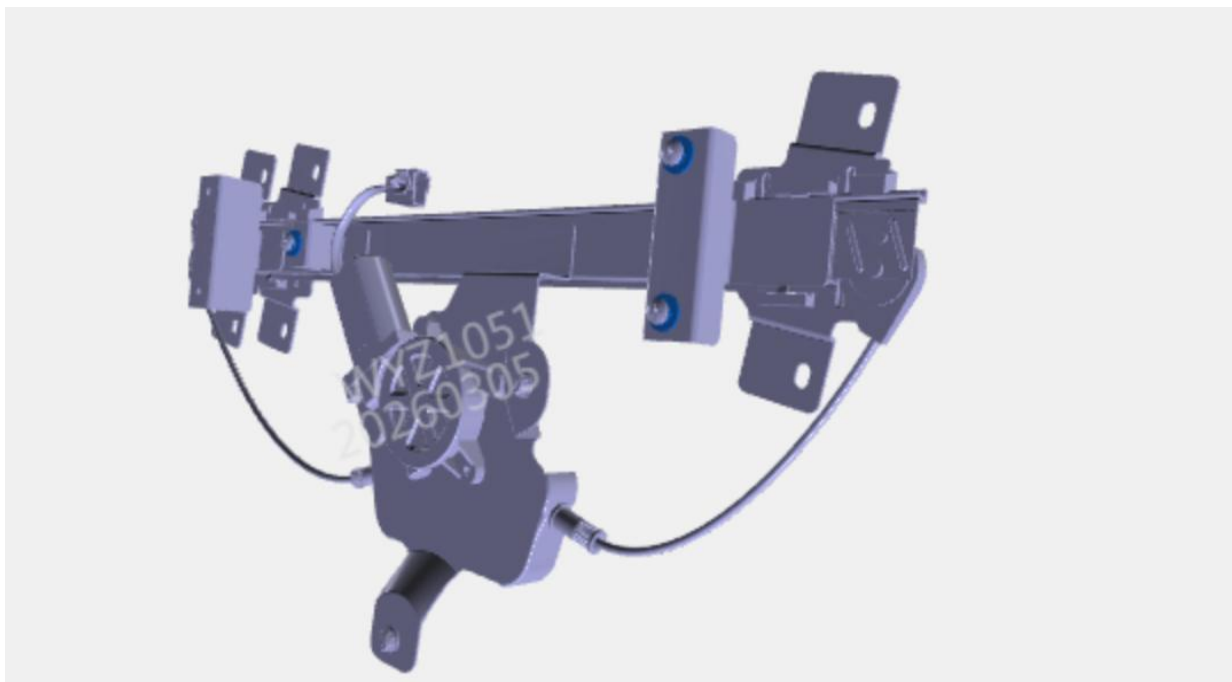
Door accessories



Reference number	Part Number	Part Name	quantity
1	DZ14251330001	Left Door Regulator And Mounting Plate Assembly (Electric)	1
2	DZ14251330234	Right Door 2nd Sealing Strip Assembly	1
3	DZ14251330124	Right Door Outer Weatherstrip	1
4	DZ14251330020	Right Door Glass Guide Rail	1
5	DZ14251330108	Right Door Waterproof Membrane 3	1
6	DZ14251330010	Right Door Window Glass Assembly	1
7	DZ14251330028	Right Door Window Glass Groove	1
8	Q401B06F60	Flat Washer	2
8	Q401B06F60	Flat Washer	2
9	DZ14251330060	Right Door Waterproof Membrane	1
10	DZ14251330043	Cross Recessed Pan Head Screw/M6×15	7
10	DZ14251330043	Cross Recessed Pan Head Screw/M6×15	7
11	DZ14251330245	Door Frame Seal	2
12	DZ14251330092	Right Door Handle Trim Cover	1
13	DZ14251330062	Right Door Inner Protect Panel Assembly	1
14	DZ14251330130	Right Door Position Limit Assembly	1
15	DZ14251330094	Right Door Speaker Cover	1
16	DZ14251330093	Left Door Speaker Cover	1
17	DZ14251330091	Left Door Handle Trim Cover	1
18	Q150B0820T1F3	Hexagon Head Bolt	2
18	Q150B0820T1F3	Hexagon Head Bolt	2
19	DZ14251970023	PVC Blockage Φ25	4
20	DZ14251330120	Left Door Stopper Assembly	1
21	DZ14251330061	Left Door Inner Guard Assembly (Electric)	1
22	DZ14251330059	Left Door Waterproof Film	1
23	DZ14251330107	Left Door Waterproof Film/III	1
24	Q33006	All Metal Hexagonal Flange Locking Nut-Galvanized	2
24	Q33006	All Metal Hexagonal Flange Locking Nut-Galvanized	2
25	DZ14251330009	Left Door Glass Assembly	1
26	DZ14251330019	Left Door Glass Guide Rail	1

27	DZ14251330221	Left Door Inner Weatherstrip	2
28	DZ14251330123	Left Exterior Door Water Cut	1
29	DZ14251330233	Left Door 2nd Sealing Strip Assembly	1
30	Q2713513	Cross Recessed Countersunk Head Screw	9
30	Q2713513	Cross Recessed Countersunk Head Screw	9
31	DZ14251330002	Right Elevator And Mounting Plate Assembly (Electric)	1
32	DZ14251330152	Lower Door Trim Panel Assembly	1
33	Q401B08	Flat Washer	2
34	DZ14251330106	Right Door Waterproof Membrane 2	1
35	Q402B06	Large Washer (Galvanized)	9
35	Q402B06	Large Washer (Galvanized)	9
36	Q41206	External Teeth Serrated Lock Washer	9
36	Q41206	External Teeth Serrated Lock Washer	9
37	Q2140612	Cross Recessed Pan Head Screws	2
37	Q2140612	Cross Recessed Pan Head Screws	2
37	Q2140612	Cross Recessed Pan Head Screws	2
37	Q2140612	Cross Recessed Pan Head Screws	2
38	DZ14251330105	Left Door Waterproof Film/II	1
39	Q2140825F60	Cross Recessed Pan Head Screw	6
39	Q2140825F60	Cross Recessed Pan Head Screw	6
40	DZ14251330157	Cushion Block For Lower Door Trim Panel	2
41	DZ14251330151	Left Door Lower Trim Panel Assembly	1
42	Q402B08F60	Large Washer*	2
42	Q402B08F60	Large Washer*	2
42	Q402B08F60	Large Washer*	6
42	Q402B08F60	Large Washer*	6
43	DZ14251330027	Left Door Glass Groove	1
44	Q2140625F60	Cross Recessed Pan Head Screw	2
45	Q2140616	Cross Recessed Pan Head Screw	2
45	Q2140616	Cross Recessed Pan Head Screw	2
46	Q41208	External Teeth Serrated Lock Washer	2
46	Q41208	External Teeth Serrated Lock Washer	2

Left Door Regulator And Mounting Plate Assembly (Electric)

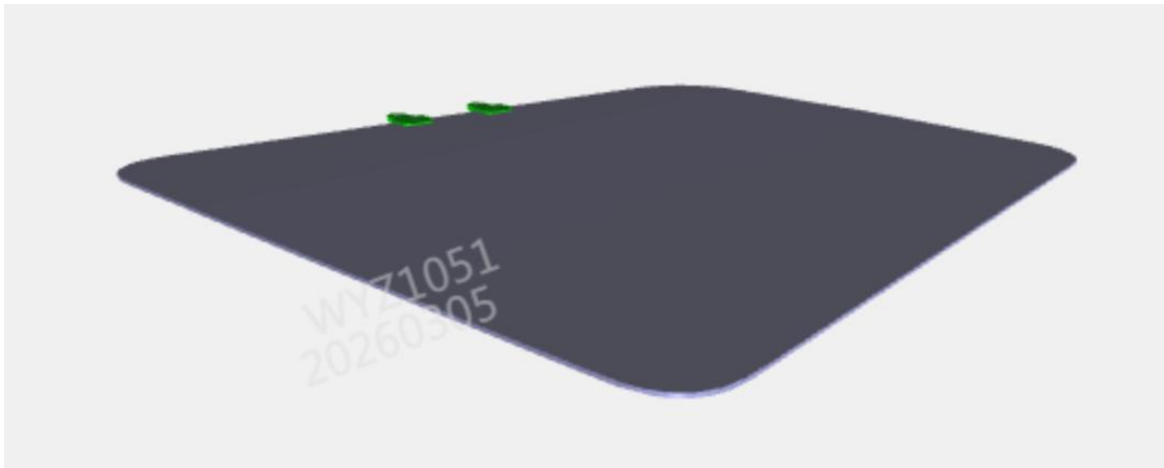


Reference number	Part Number	Part Name	quantity
	DZ14251330031	Left Window Regulator(Electric)	1
	DZ14251330041	Left Door Regulator Mounting Plate Assembly	1
	Q33006	All Metal Hexagonal Flange Locking Nut- Galvanized	2
	SXQ236B0612F60L	Cross Recessed Pan Head Screw, Spring Washer And Plain Washer Combination	3

Left Door Regulator Mounting Plate Assembly

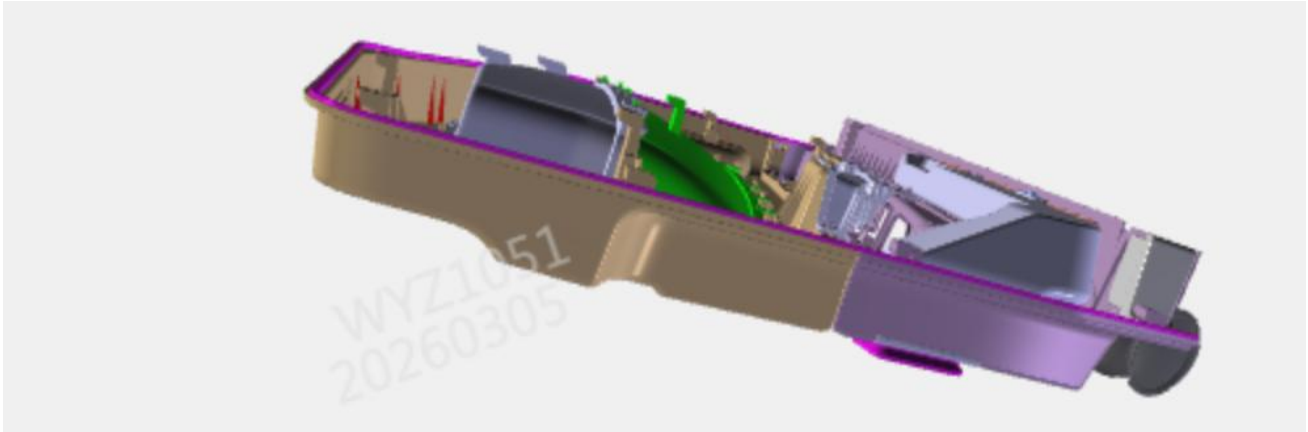
Reference number	Part Number	Part Name	quantity
	DZ14251330045	Left Door Regulator Mounting Plate	1
	DZ14251330053	Left Door Inner Buckle Mounting Bracket	1
	Q37106	Welding Square Nut	2

Right Door Window Glass Assembly

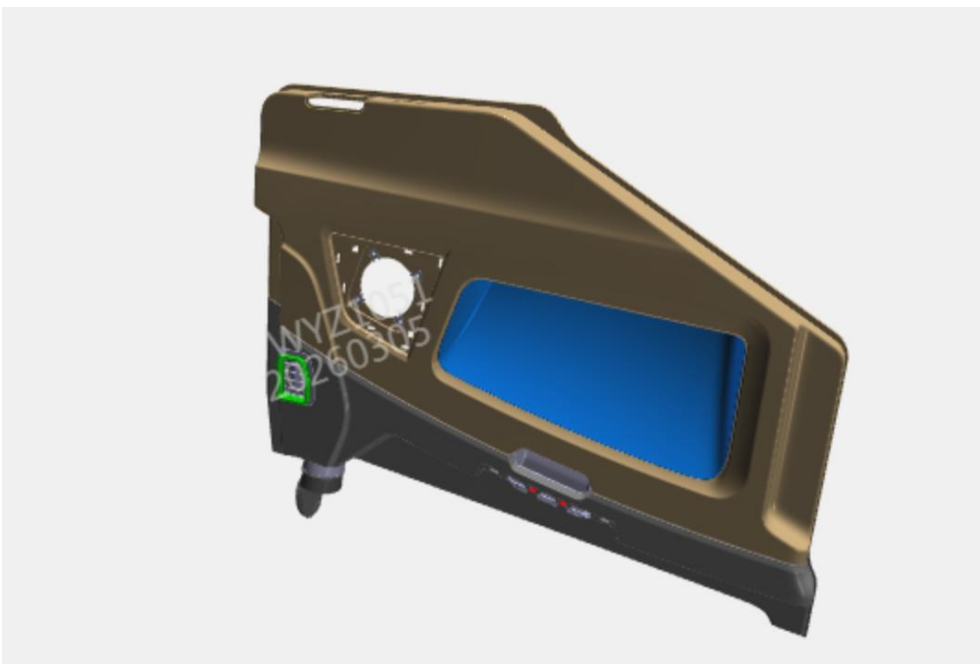


Reference number	Part Number	Part Name	quantity
	DZ14251330012	Right Door Window Glass	1
	DZ14251330013	Door Glass Clip	2
	DZ14251330014	Cylindrical Pin	2

Right Door Inner Protect Panel Assembly

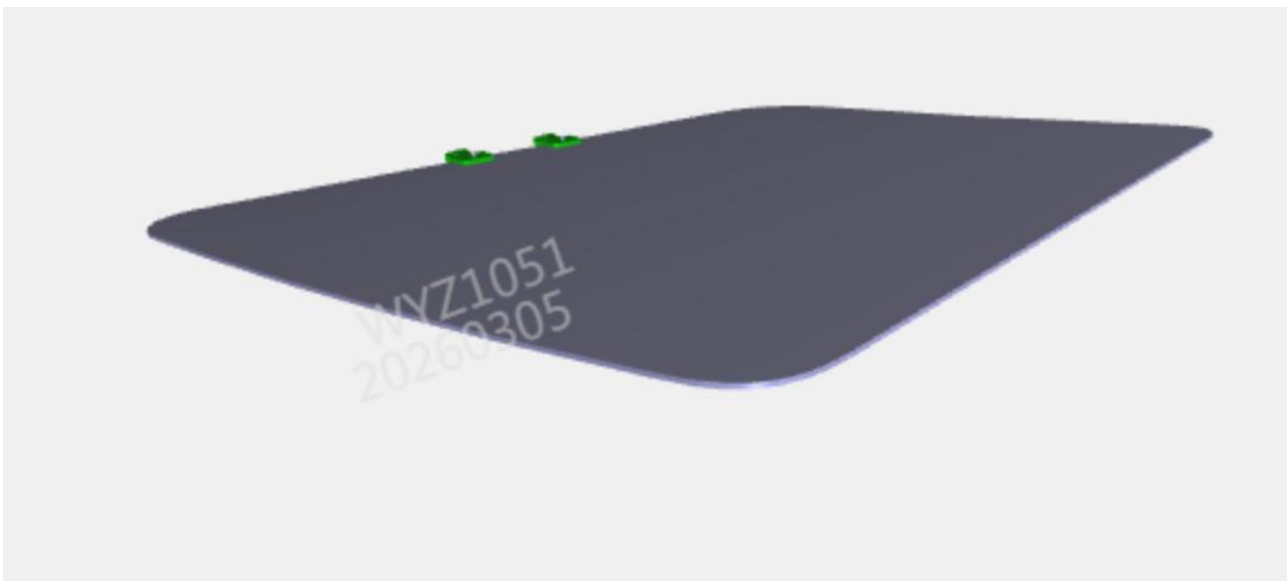


Reference number	Part Number	Part Name	quantity
	DZ14251330066	Upper Body Of Right Door Inner Guard Board	1
	DZ14251330068	Right Door Inner Guard Lower Body	1
	DZ14251330070	Right Door Map Pocket Lower Body	1
	DZ14251330072	Right Door Air Duct	1
	DZ14251330074	Right Door Air Inlet Seal	1
	DZ14251330076	Right Door Air Outlet Seal	3
	DZ14251330078	Right Door Guard Pad 1	1
	DZ14251330080	Right Door Guard Pad 2	1
	DZ14251330082	Right Door Guard Sealing Strip	1
	DZ14251330083	Door Air Outlet	3
	DZ14251330086	Right Door Air Inlet	1
	DZ14251330088	Right Door Handle	1
	DZ14251330096	Right Door Map Pocket Upper Body(Electric)	1
	DZ15221339996	Ashtray Base	1
	DZ14251160326	Ashtray	1
	Q2204213	Cross Recessed Pan Head Tapping Screw And Flat Washer Assembly	3
	Q39748201	A-type Spring Nut	4
		Left Door Inner Guard Assembly (Electric)	



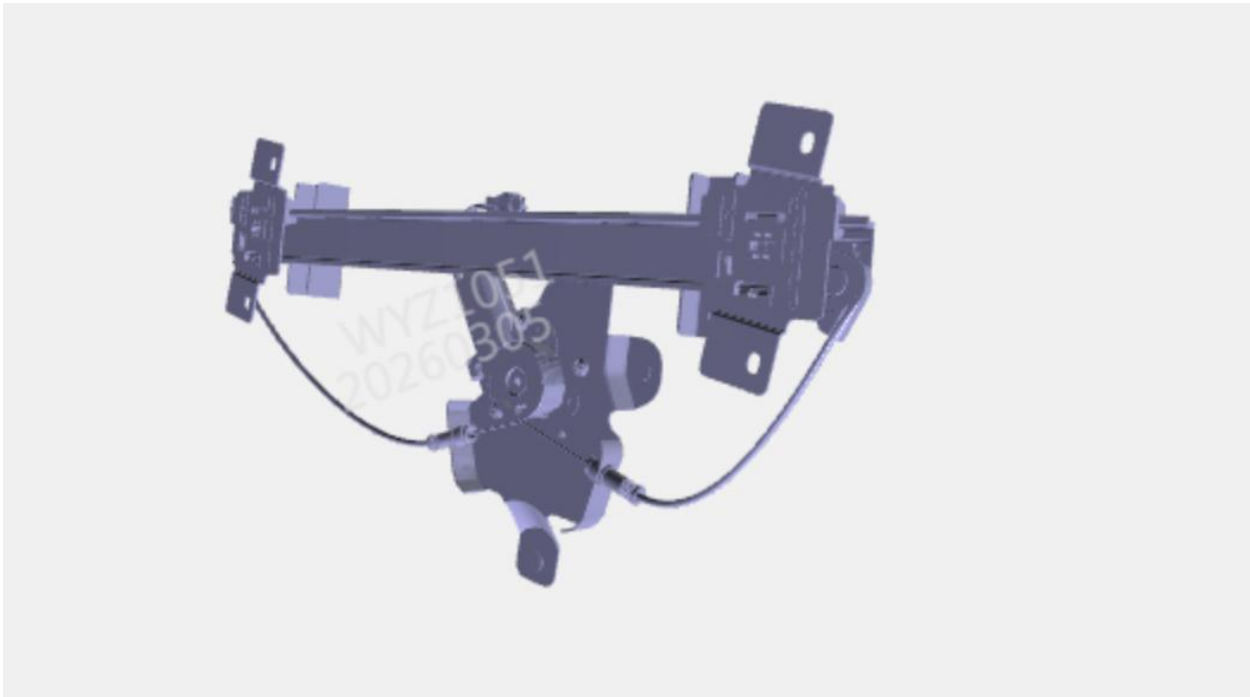
Reference number	Part Number	Part Name	quantity
	DZ14251330065	Left Door Inner Guard Board Upper Body	1
	DZ14251330067	Left Door Inner Guard Board Lower Body	1
	DZ14251330069	Left Door Map Pocket Lower Body	1
	DZ14251330071	Left Door Air Duct	1
	DZ14251330073	Left Door Air Inlet Seal	1
	DZ14251330075	Left Door Air Outlet Seal	3
	DZ14251330077	Left Door Guard Pad 1	1
	DZ14251330079	Left Door Guard Pad 2	1
	DZ14251330081	Left Door Guard Sealing Strip	1
	DZ14251330085	Left Door Air Inlet	1
	DZ14251330087	Left Door Handle	1
	DZ14251330095	Left Door Map Pocket Upper Body	1
	DZ15221339996	Ashtray Base	1
	DZ14251160326	Ashtray	1
	DZ14251330083	Door Air Outlet	3
	Q2204213	Cross Recessed Pan Head Tapping Screw And Flat Washer Assembly	3
	Q39748201	A-type Spring Nut	4

Left Door Glass Assembly



Reference number	Part Number	Part Name	quantity
	DZ14251330011	Left Door Glass	1
	DZ14251330013	Door Glass Clip	2
	DZ14251330014	Cylindrical Pin	2

Right Elevator And Mounting Plate Assembly (Electric)



Reference number	Part Number	Part Name	quantity
	DZ14251330032	Right Window Regulator(Electric)	1
	DZ14251330042	Right Window Regulator Mounting Plate	1
	Q33006	All Metal Hexagonal Flange Locking Nut- Galvanized	2
	SXQ236B0612F60L	Cross Recessed Pan Head Screw, Spring Washer And Plain Washer Combination	3

Right Window Regulator Mounting Plate Assembly

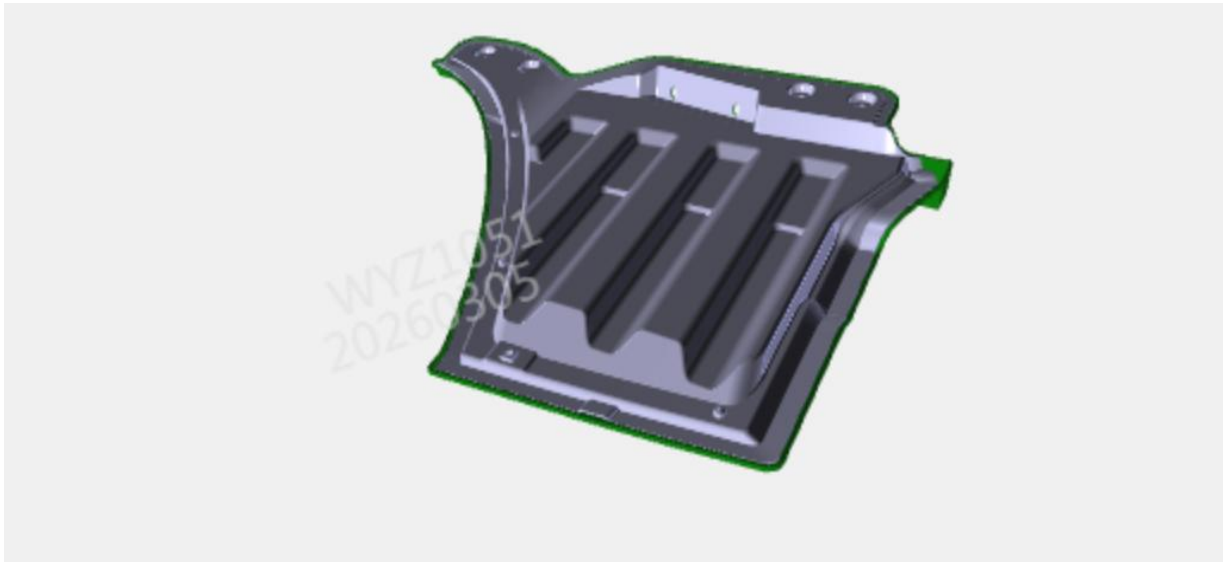
Reference number	Part Number	Part Name	quantity
	DZ14251330046	Right Window Regulator Mounting Plate	1
	DZ14251330054	Right Door Inner Buckle Mounting Bracket	1
	Q37106	Welding Square Nut	2

Lower Door Trim Panel Assembly



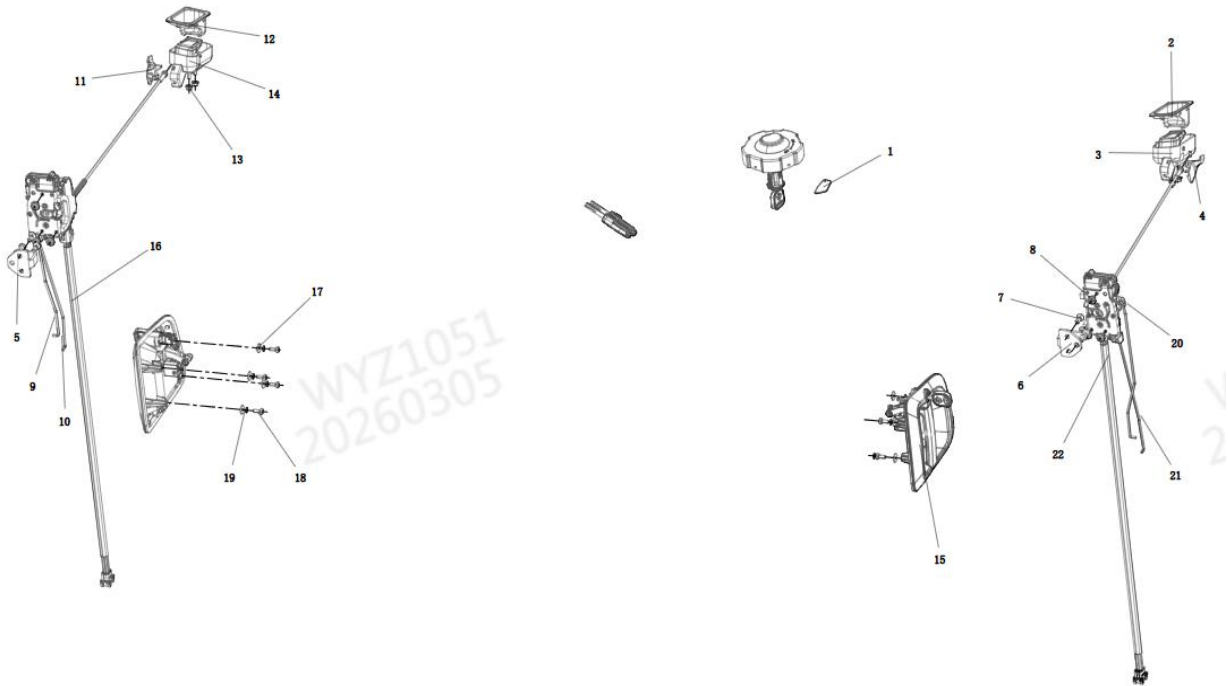
Reference number	Part Number	Part Name	quantity
	Q2140620F60	Cross Recessed Pan Head Screw	3
	Q401B06F60	Flat Washer	3
	DZ14251330156	Right Door Lower Inner Trim Panel	1
	DZ14251330154	Right Door Lower Outer Trim Panel	1

Peripheral Parts Of The Cab



Reference number	Part Number	Part Name	quantity
	Q2140620F60	Cross Recessed Pan Head Screw	3
	Q401B06F60	Flat Washer	3
	DZ14251330155	Left Door Lower Trim Inner Panel	1
	DZ14251330153	Left Door Lower Trim Outer Panel	1

Door lock

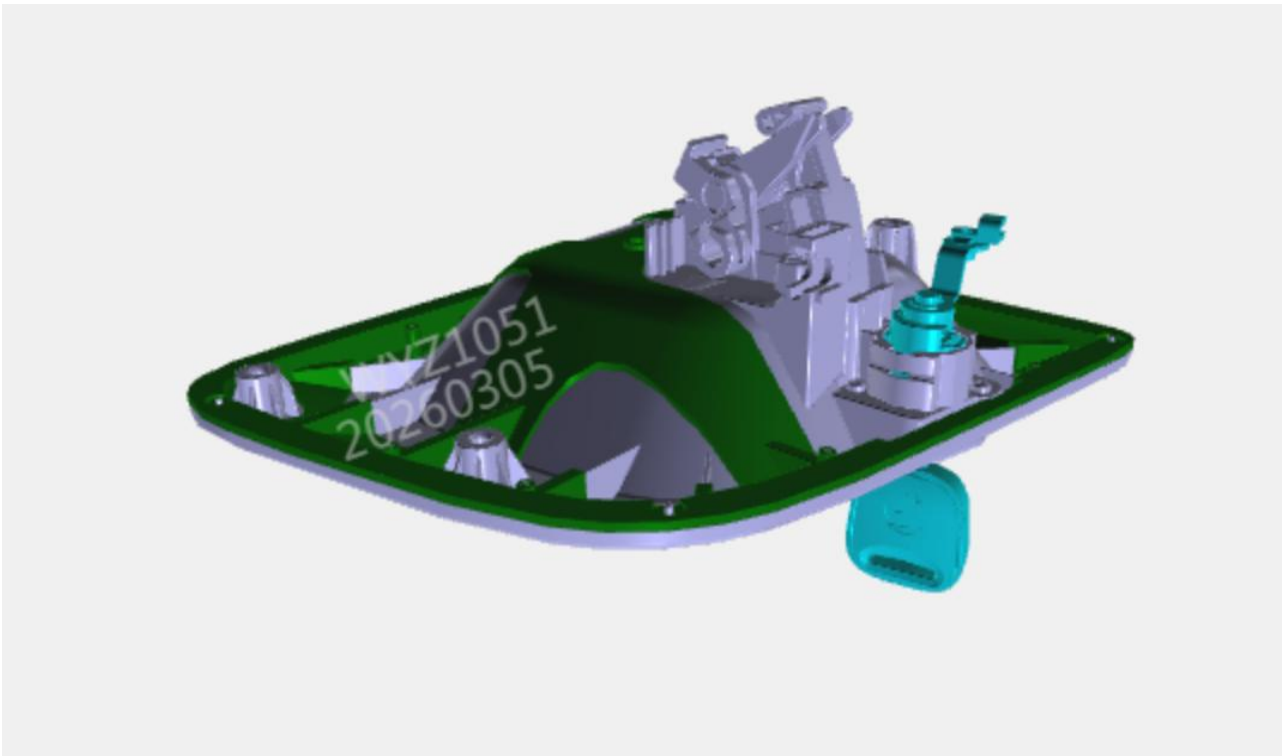


Reference number	Part Number	Part Name	quantity
1	DZ13241340031	Key Label	1
2	DZ14251340027	Right Door Inner Handle Trim Cover	1
3	DZ14251340026	Right Door Inner Handle	1
4	DZ14251340021	Right Door Inner Handle Seal	1
5	DZ14251340031	Door Lock Pin	2
6	DZ14251340014	Door Latch	2
7	Q2540820	Cross Recessed Countersunk Head Screw 190003825420	4
8	SXQ23Z0616T1F60L	Hexagon Socket Rosette Pan Head Screw And Large Washer Assemblies	3
8	SXQ23Z0616T1F60L	Hexagon Socket Rosette Pan Head Screw And Large Washer Assemblies	3
9	DZ14251340055	Left Door Lock Cylinder Rod/Integral Type	1
10	DZ14251340175	Door Opening Wire Drawing/19/T Type	2
11	DZ14251340011	Left Door Inner Buckle Seal	1
12	DZ14251340017	Left Door Inner Buckle Trim Cover	1
13	Q33006	All Metal Hexagonal Flange Locking Nut- Galvanized	2
13	Q33006	All Metal Hexagonal Flange Locking Nut- Galvanized	2
14	DZ14251340016	Left Door Inner Buckle	1
15	DZ14251340258	Door Lock	1
16	DZ14251340067	Left Door Lock Body Assembly/Integral/X5000 Exterior Handle	1
17	Q402B06F60	Large Washer	8
18	Q215B0616T1F31	Hexagon Lobular Pan Head Screw	8
19	Q41206	External Teeth Serrated Lock Washer	8
20	DZ14251340056	Right Door Lock Cylinder Rod	1
22	DZ14251340068	Right Door Lock Body Assembly/IntEGRal/X5000 Outer Handle	1

Door Lock

Reference number	Part Number	Part Name	quantity
	DZ14251340170	Mechanical Key	2
	DZ14251340097	Central Control Key - Key Section (2 Pieces)	1
	DZ14251340171	Left Exterior Door Handle	1
	DZ14251340172	Right Exterior Door Handle	1
	DZ97189460203	Steering Wheel Lock Cylinder Assembly	1
	DZ97189550020	Fuel Tank Cap	1
	DZ97259740587	Urea Tank Cover Lock Cylinder	1

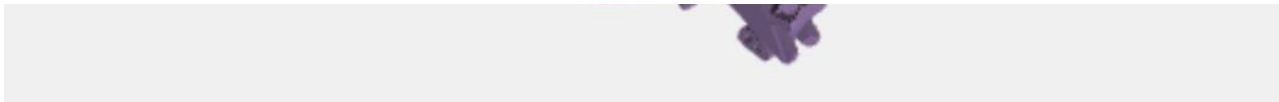
Left Exterior Door Handle



Reference number	Part Number	Part Name	quantity
	DZ14251340042	Left Exterior Door Handle Lock Cylinder	1
	DZ14251340173	Left Exterior Door Handle Housing	1

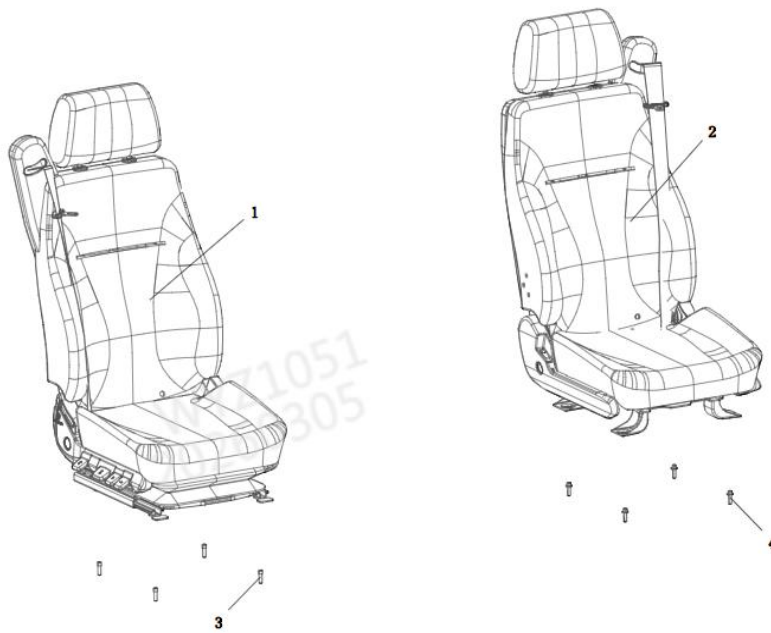
Right Exterior Door Handle





Reference number	Part Number	Part Name	quantity
	DZ14251340052	Right Exterior Door Handle Lock Cylinder	1
	DZ14251340174	Right Exterior Door Handle Housing	1

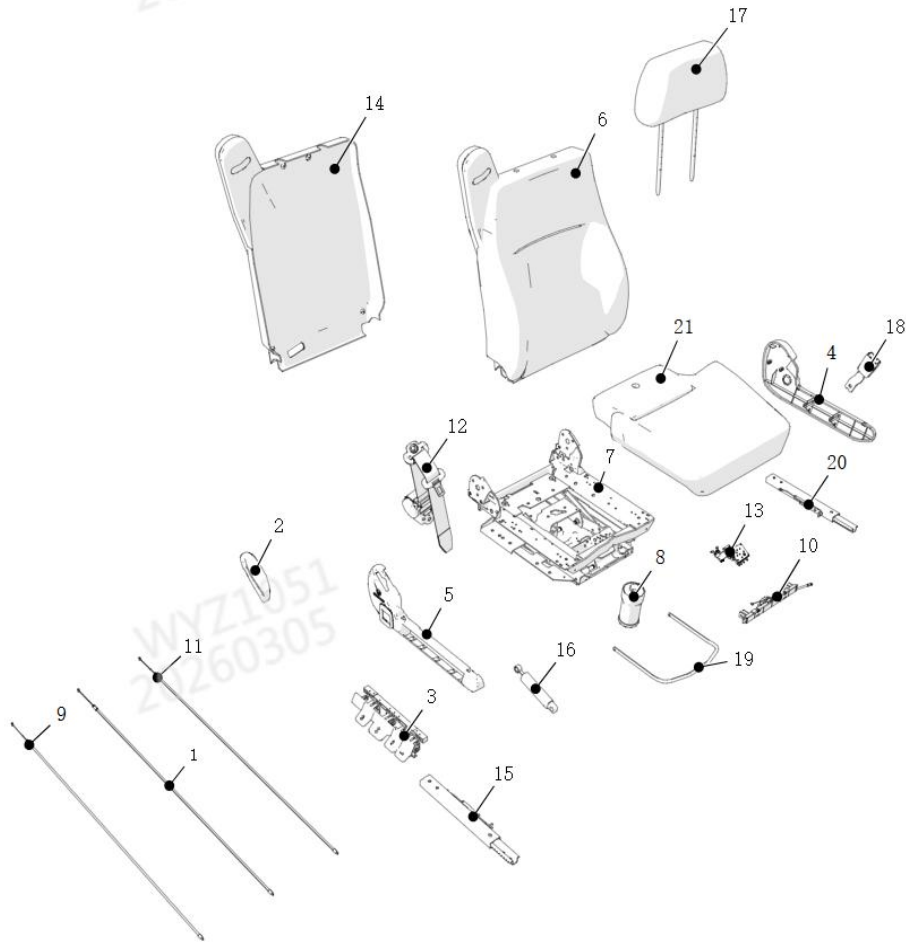
Seat Assembly



Reference number	Part Number	Part Name	quantity
1	DZ14251510111	Right Air Suspension Seat Assembly	1
2	DZ14251510112	Left Seat Assembly/R Point 245/Safety Belt	1
3	Q218B0825F31	Hexagon Socket Head Cap Screw	4
4	Q1840825T1F31	Hexagon Flange Bolt	4

Right Air Suspension Seat Assembly

Reference number	Part Number	Part Name	quantity
	4011432-DZ14251510111	4011432/Right air suspension seat assembly / R point 245 / Seat belt / Grammer	1



Reference number	Part Number	Part Name	quantity
	GLM1005910	X3000 Passenger Seat Backrest Large Protective Panel	1
	GLM1063249	Slide Rail Rod	1
	GLM1094942	Damper	1
	GLM1120938	90.3 High Adjustment Cable (Right-Wheel Drive)	1
	GLM1120941	90.3 Speed Descent Cable (Right-Wheel	1
	GLM1180311	90.3 Tilt Locking Mechanism Assembly (Right-Wheel Drive)	1
	GLM1189933	90.3 Airbag	1
	GLM1243306	90.3 Damping Adjustment Cable (Right-Wheel	1
	GLM135054	X3000 & J5 Shock Absorber Handle Assembly - Right-Handed	1
	GLM135413	X3000 Passenger Seat Left Side Plastic Shell	1
	GLM1369430	X3000 Passenger Seat Belt	1
	GLM1369431	Safety Belt Buckle	1
	GLM1446191	X3000 Driver's Seat Headrest Assembly (Flannel Fabric)	1
	GLM1526079	90.3 Air Valve Assembly (Domestic)	1
	GLM1533467	X3000 Driver's Seat Cushion Assembly VAVE	1
	GLM1542909	Backrest Adjustment Handle (Right/Gray)	1
	GLM1569785	X3000 Left Slide Rail (Plate Replacement)	1
	GLM1569786	X3000 Right Slide Rail (Plate Replacement)	1
	GLM1575283	X3000-RH Right side plastic shell (no ventilation or heating)	1

GLM1576351

X3000 backrest assembly (right-hand drive driver's seat VAVE basic model)

1

GLM1576354

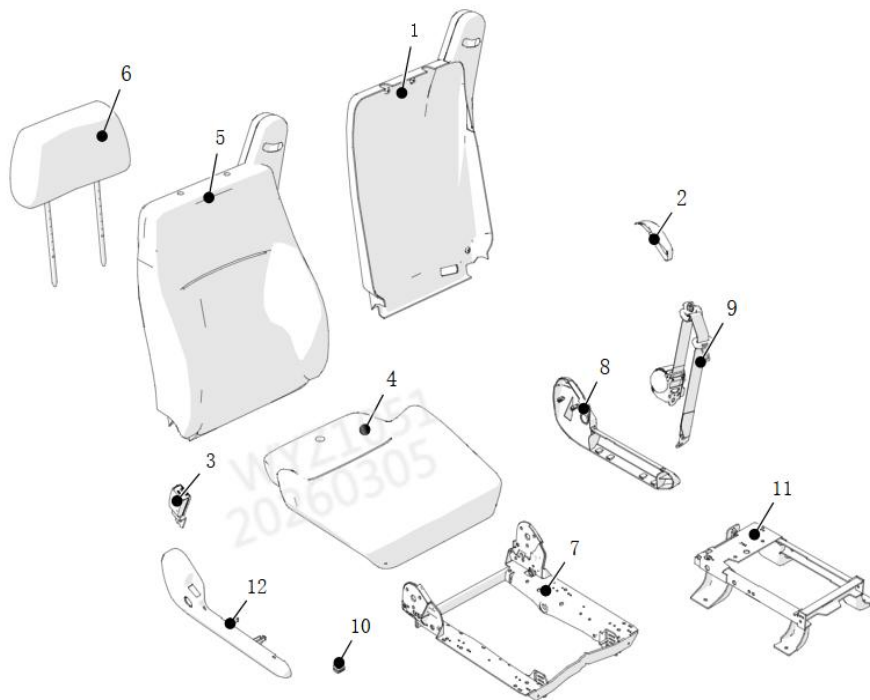
X3000 right-hand drive VAVE shock absorber assembly (320mm)

1

Left Seat Assembly/R Point 245/Safety Belt

Reference number	Part Number	Part Name	quantity
	4011432-DZ14251510112	4011432/Left fixed seat assembly / R point 245 / Seat belt / Grammer	1

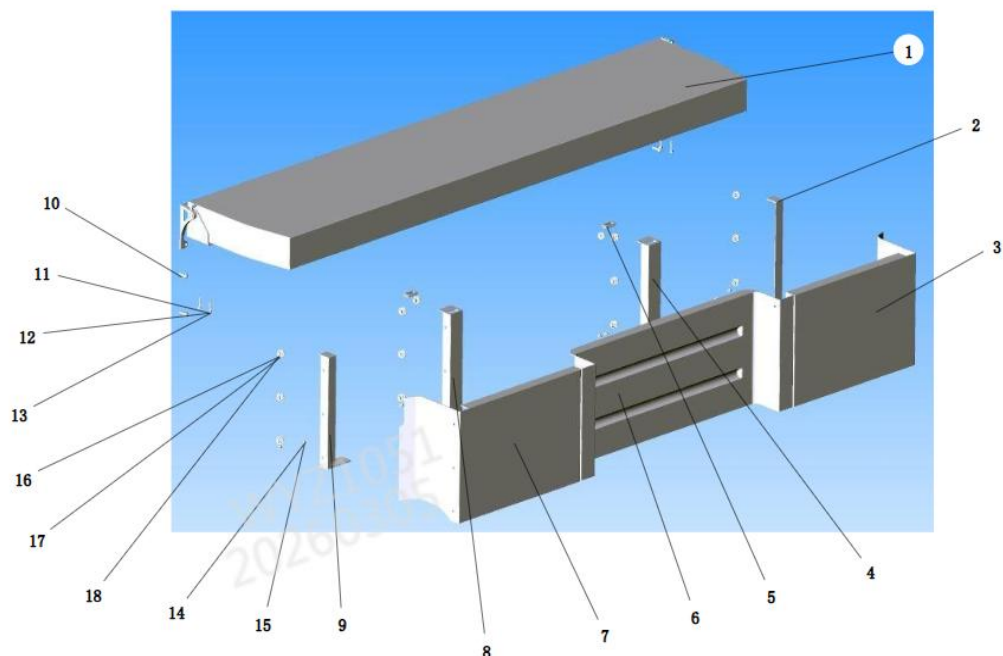
4011432/Left fixed seat assembly / R point 245 / Seat belt / Grammer



Reference number	Part Number	Part Name	quantity
	GLM1005911	Backrest Plastic Protective Panel - Left (9005) - MSG90.3	1
	GLM135404	X3000 Seat Black Plastic Slider (Driver & Passenger Universal)	1
	GLM135697	90.3 Left Plastic Cover - Left-Handed (9005 with LOGO)	1
	GLM1369429	Seat Belt	1
	GLM1369431	Safety Belt Buckle	1
	GLM1414765	X3000 Passenger Seat Bottom Frame Electrophoretic Assembly - Right-Handed	1
	GLM1446197	X3000 Passenger Seat Headrest Assembly (Flannel Fabric)	1
	GLM1479119	X5000 Seat Frame Electrophoretic Assembly	1

GLM1533476	Left-Handed Driver's Seat Right Plastic Cover (RAL9005)	1
GLM1542908	Backrest Adjustment Handle (Left/Gray) 90.3	1
GLM1576353	X3000 Backrest Assembly (Right-Handed Passenger VAVE Basic Model)	1
GLM1576380	X3000 Passenger VAVE Seat Cushion Assembly	1

Sleeper



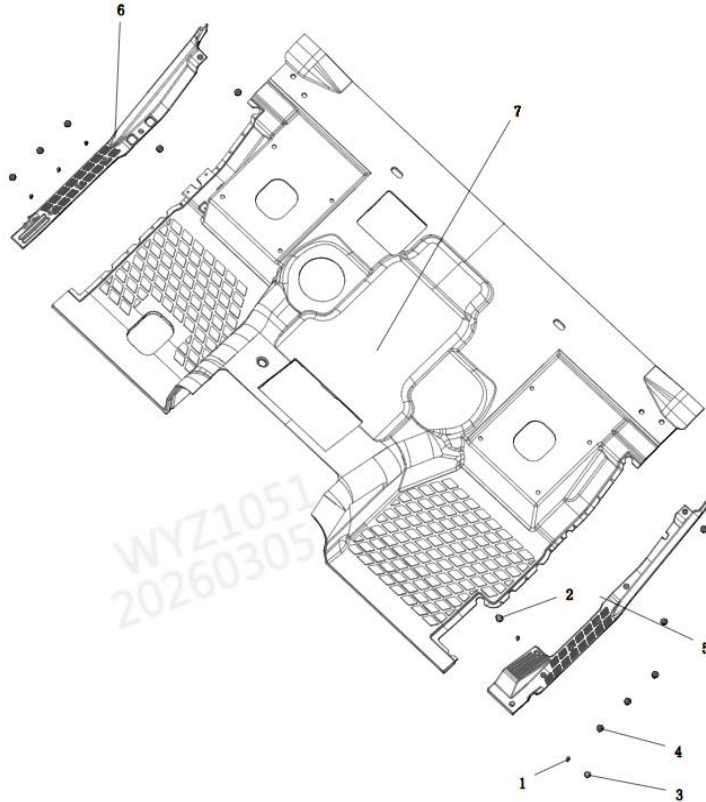
Reference number	Part Number	Part Name	quantity
1	DZ14251570275	Sleeper Panel Assembly/J/High Channel	1
2	DZ14251570485	Sleeper Side Support Bracket (L)	1
3	DZ14251570477	Sleeper Left Bezel	1
4	DZ14251570483	Support Middle Support Bracket (Left)	1
5	DZ13241570516	Sleeper Cushion	2
6	DZ14251570476	Sleeper Middle Bezel	1
7	DZ14251570478	Sleeper Right Bezel	1
8	DZ14251570484	Support Middle Support Bracket (Right)	1
9	DZ14251570486	Sleeper Side Support Bracket (R)	1
10	Q3720818	Flat Head Rivet Nut	4
11	Q2140830	Cross Recessed Pan Head Screw	8
12	Q40308	Spring Washer 190003931102	14
12	Q40308	Spring Washer 190003931102	8
13	Q401B08	Flat Washer	8
14	Q340B06	Type 1 Hex Nut	8
15	Q402B06	Large Washer (Galvanized)	8
16	Q150B0820T1F3	Hexagon Head Bolt	14
17	Q402B08	Large Washer (Galvanized)	28
18	Q340B08T2F3	Type 1 Hex Nut	14

Sleeper Panel Assembly/J/High Channel

Reference number	Part Number	Part Name	quantity
------------------	-------------	-----------	----------

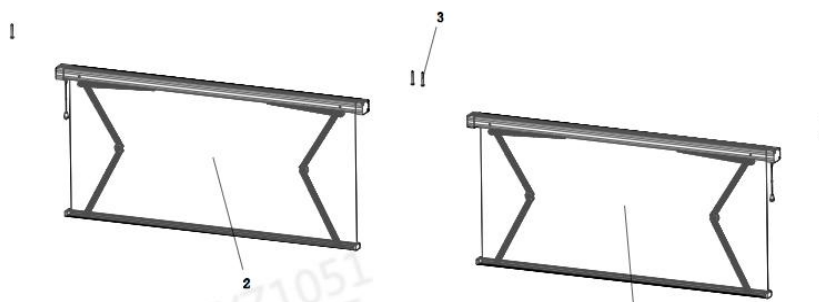
DZ14251570276	Sleeper Panel /J/High Channel	1
DZ14251570271	Lower Sleeper Left Bracket Assembly	1
DZ14251570481	Sleeper Left Hinge Assembly	1
DZ14251570272	Lower Sleeper Right Bracket Assembly	1
DZ14251570482	Sleeper Right Hinge Assembly	1
Q3720818	Flat Head Rivet Nut	4

Floor mat assembly



Reference number	Part Number	Part Name	quantity
	DZ14251621021	Integral Foam Front Floor Mat/RH	1
	DZ14251620081	Left Door Sill Strip	1
	DZ14251620090	Right Threshold Bar	1
	DZ14251620061	Doorsill Pressing Strip Blanking Cap1	10
	DZ14251620062	Doorsill Pressing Strip Blanking Cap 2	1
	DZ14251620063	Doorsill Pressing Strip Blanking Cap 3	1
	Q230B0620F60	Cross Slotted Screw And Washer Combination	12

Sun visor



WYZ1051
20260305

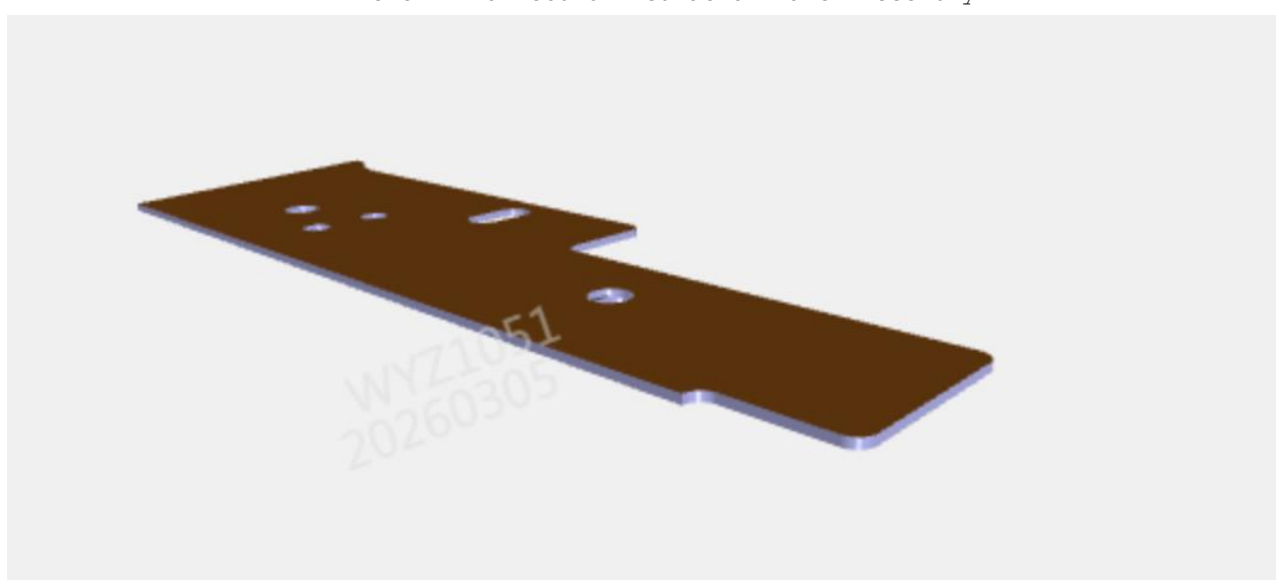


Reference number	Part Number	Part Name	quantity
1	DZ14251650061	Left Sunshade Assembly (2022 Model)	1
2	DZ14251650062	Right Sunshade Assembly (2022 Model)	1
3	Q2714838	Cross Recessed Countersunk Head Screw	4

Sound Insulation Board

Reference number	Part Number	Part Name	quantity
	DZ14251690198	Engine Thermal Shield	1
	81.90820.0340	Lock Washer/5-22-*12CRN1177	26
	DZ13241690071	Channel Hood Insulation Board	1
	81.90820.0340	Lock Washer/5-22-*12CRN1177	16
	DZ14251690057	Left Side Sound Insulation Board	1
	DZ14251690058	Left Sound Insulation Board Bracket	1
	Q150B0820T1F3	Hexagon Head Bolt	3
	Q33208T2F3	2 Type All Metal Hexagonal Lock Nut	5
	Q402B08	Large Washer (Galvanized)	5
	Q401B08	Flat Washer	3
	DZ14251690059	Right Sound Insulation Board	1
	DZ14251690060	Right Sound Insulation Board Bracket	1
	DZ14251690068	Right Sound Insulation Board Bracket 1	1
	Q150B0820T1F3	Hexagon Head Bolt	5
	Q401B08	Flat Washer	6
	Q402B08	Large Washer (Galvanized)	5
	81.61470.2166	Right Front Sound Insulation Board	1
	DZ1644690031	Front Wall Trim	1
	DZ14251690010	Left Pillar Sound Insulation Panel Assembly	1
	81.61470.4006	Right Pillar Sound Insulation Board	1
	DZ13241690072	Channel Hood Front Insulation Panel	1
	81.90820.0340	Lock Washer/5-22-*12CRN1177	8

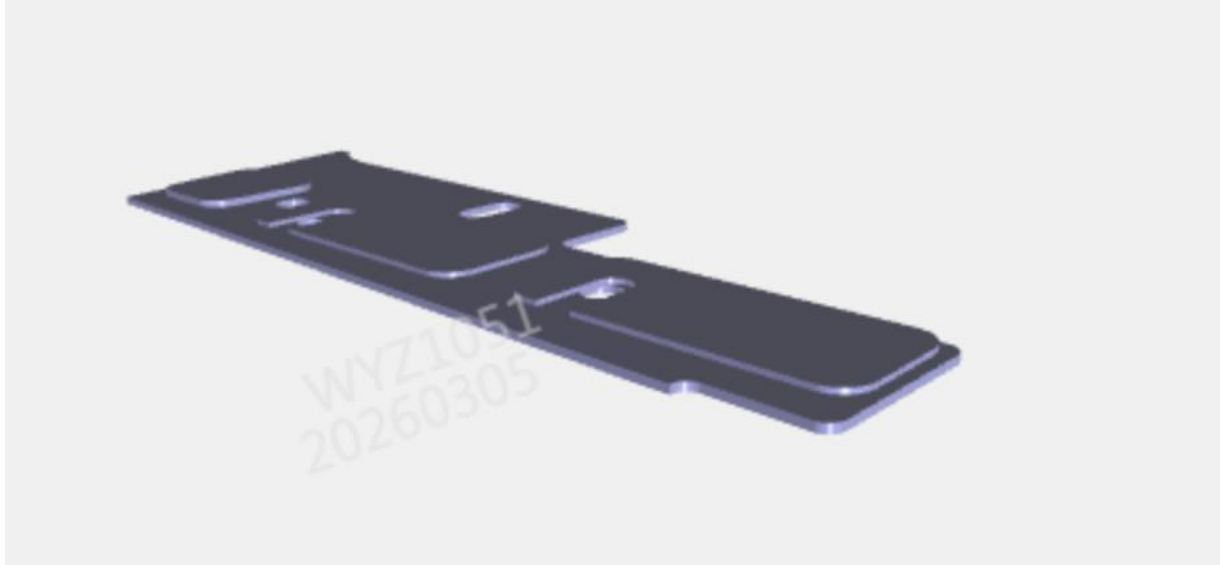
Left Pillar Sound Insulation Panel Assembly



Reference number	Part Number	Part Name	quantity
------------------	-------------	-----------	----------

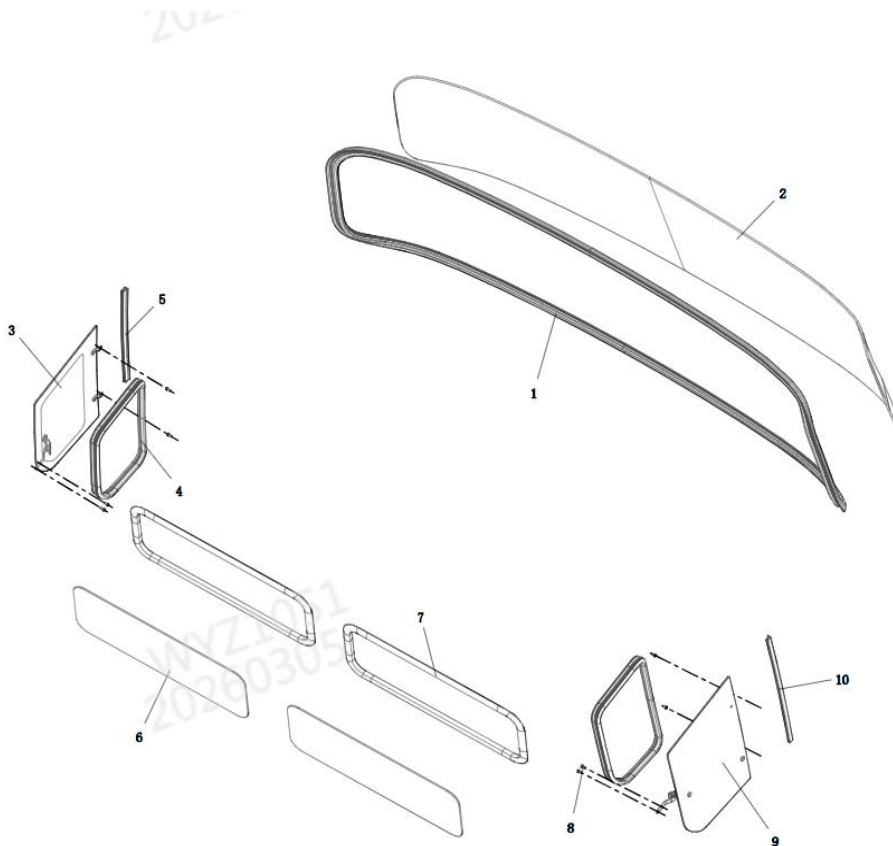
81.61430.2585	Sound Insulation Board	1
81.61430.2586	Spacer	1
DZ14251690008	Sound Insulation Board	1
DZ14251690007	Left Pillar Sound Insulation Panel	1

Right Pillar Sound Insulation Board



Reference number	Part Number	Part Name	quantity
	81.61430.2586	Spacer	1
	81.61470.2152	Right Pillar Sound Insulation Board	1
	81.61430.2585	Sound Insulation Board	2

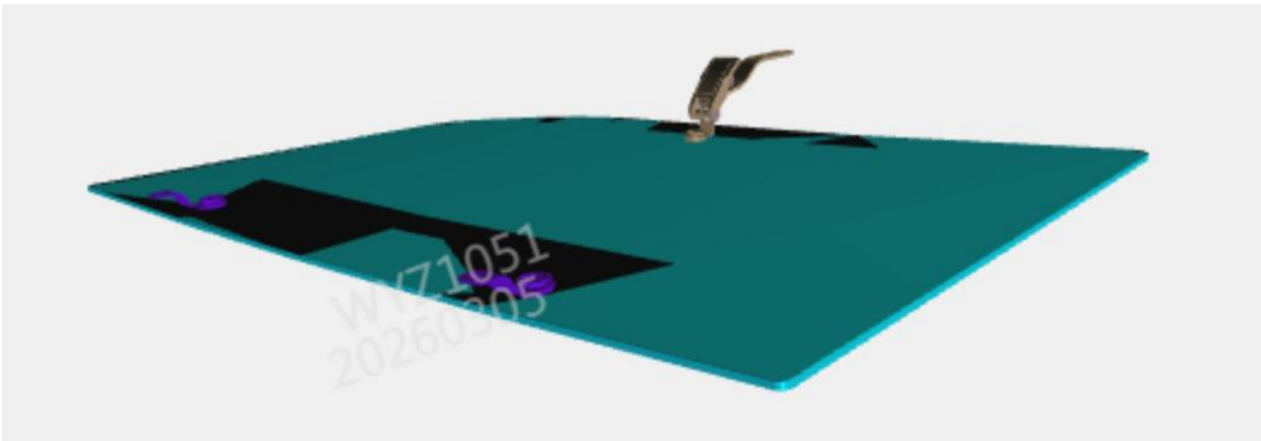
Window Glass



Reference number	Part Number	Part Name	quantity
------------------	-------------	-----------	----------

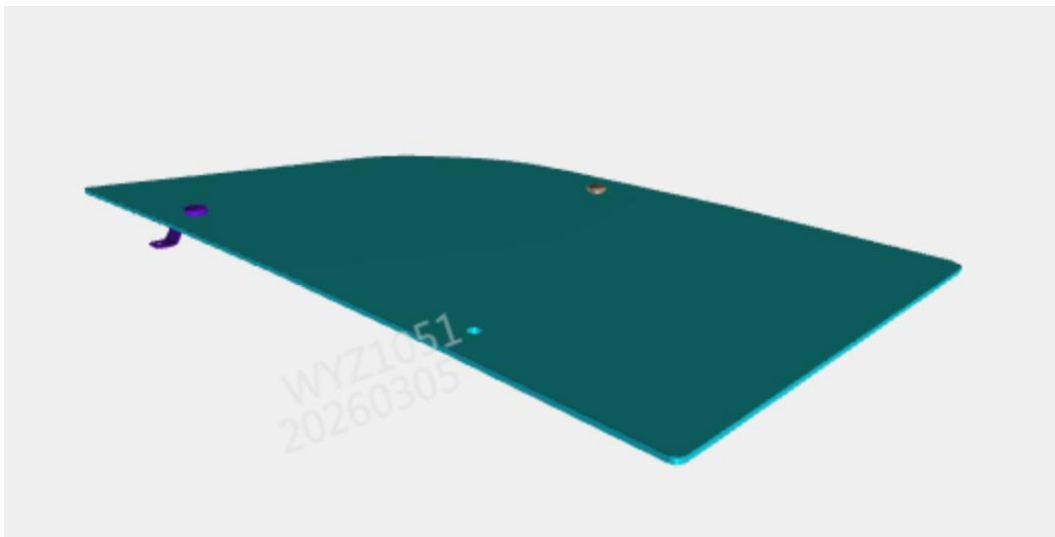
1	81.96121.0056	Windshield Sealing Strip	1
2	DZ14251710030	Windshield/With Printed Antenna	1
3	DZ14251710010	Left Side Wall Window Assembly	1
4	DZ14251710014	Left Side Window Glass Sealing Strip	1
4	DZ14251710014	Left Side Window Glass Sealing Strip	1
5	DZ14251710015	Left Side Window Trim Strip	1
6	81.62750.0028	Rear Window Glass	2
7	81.96121.0023	Rear Window Glass Sealing Strip	2
8	Q230B0616F60	Cross Slotted Screw And Washer Combination	4
8	Q230B0616F60	Cross Slotted Screw And Washer Combination	4
9	DZ14251710016	Right Side Wall Window Assembly	1
10	DZ14251710019	Right Side Window Trim Strip	1

Left Side Wall Window Assembly



Reference number	Part Number	Part Name	quantity
	DZ14251710013	Side Window Glass Spring Hinge	2
	DZ14251710012	Side Window Glass Lock	1
	DZ14251710011	Left Side Window Glass	1

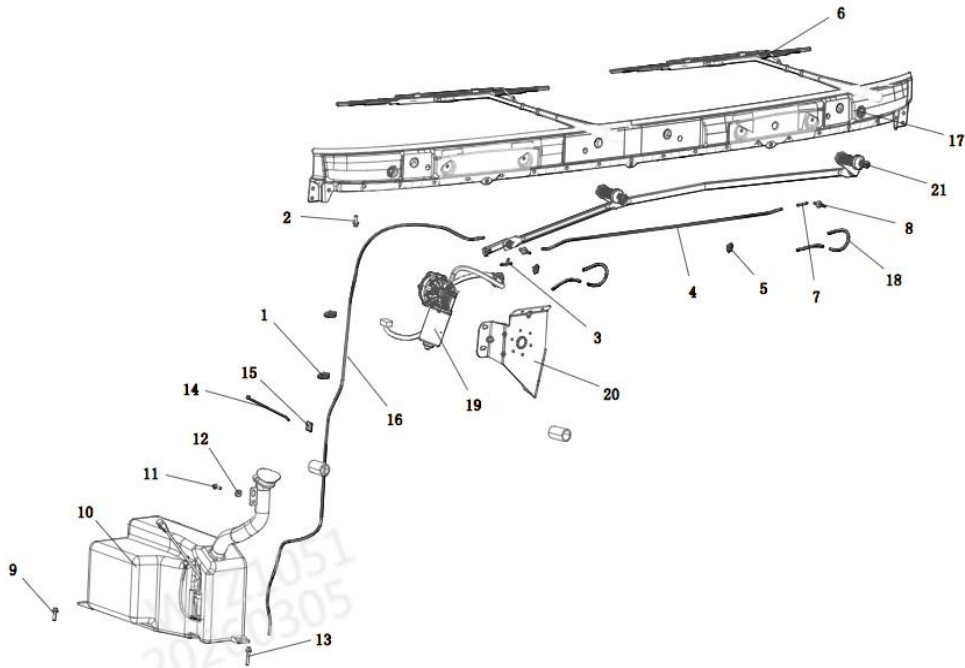
Right Side Wall Window Assembly



Reference number	Part Number	Part Name	quantity
------------------	-------------	-----------	----------

DZ14251710013	Side Window Glass Spring Hinge	2
DZ14251710012	Side Window Glass Lock	1
DZ14251710017	Right Side Window Glass	1

Glass cleaning system

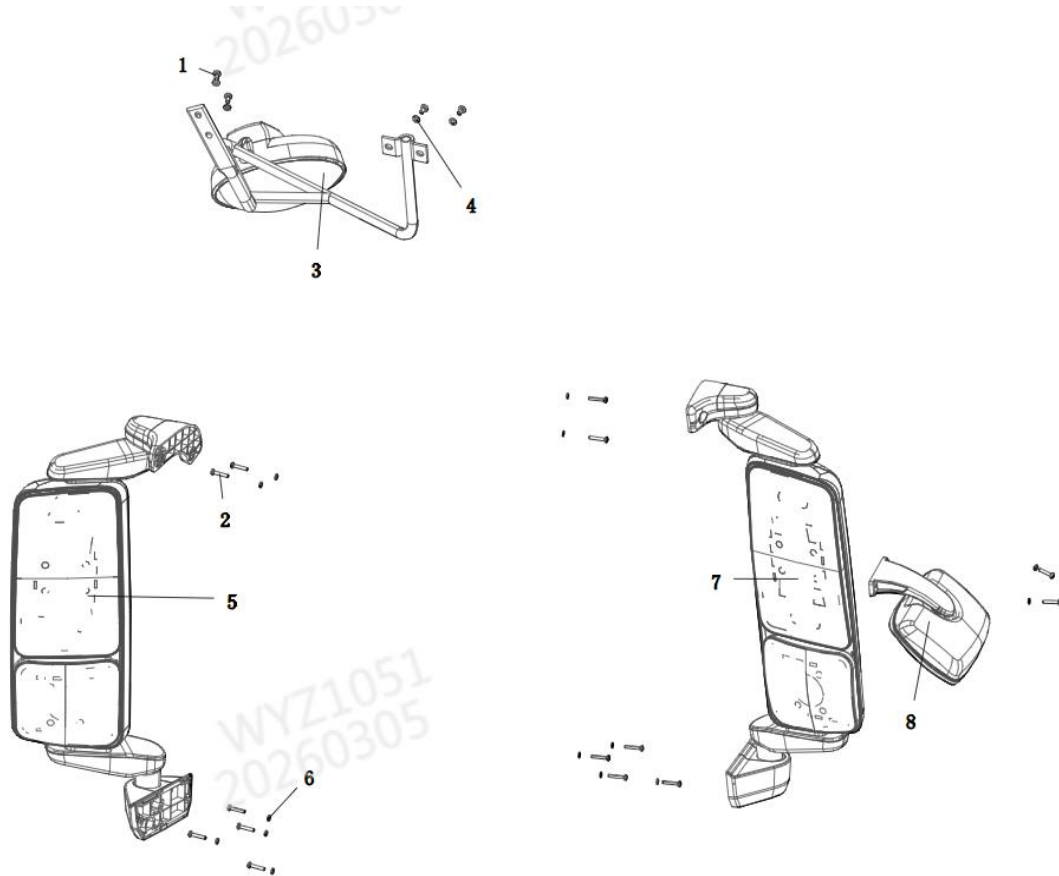


Reference number	Part Number	Part Name	quantity
1	81. 97470. 0073	Plastic Fastening Belt	2
2	Q1840820T1F31	Hexagon Flange Bolt	6
2	Q1840820T1F31	Hexagon Flange Bolt	4
3	DZ14251740040	T Joint	1
4	DZ14251740032	Washing Pipe/ II	1
5	DZ14251740038	Tightening Belt II	2
6	DZ14251741015	Wiper Arm Assembly/RHD	2
7	DZ14251740035	Straight Connector	1
8	DZ14251740036	Through Hole Bending	2
9	Q1840825T1F31	Hexagon Flange Bolt	1
9	Q1840825T1F31	Hexagon Flange Bolt	2
10	DZ14251741030	Washing Solution Bottle Assembly/RHD	1
11	Q1840625T1F31	Hexagon Flange Bolt	1
12	DZ9X259361091	Cushion Block	1
13	Q1840840T1F31	Hexagon Flange Bolt	1
14	DZ93189777161	Ordinary Narrow Cable Tie	1
15	DZ9X259090010	Single Pipe Clamp/Φ6	1
16	DZ14251740031	Washing Pipee/ I	1
17	DZ14251157030	Wipe Bracket Assembly	1
18	DZ14251740033	Washing Pipe/III	2
19	DZ14251741010	Wiper Motor/RHD	1
20	DZ14251741011	Wiper Motor Bracket/RHD	1
21	DZ14251741012	Wiper Linkage Assembly/RHD	1

Wiper Arm Assembly/RHD

Reference number	Part Number	Part Name	quantity
	DZ14251741013	Wiper Arm/RHD	1
	DZ14251740014	Wiper Blade	1

Rearview Mirror



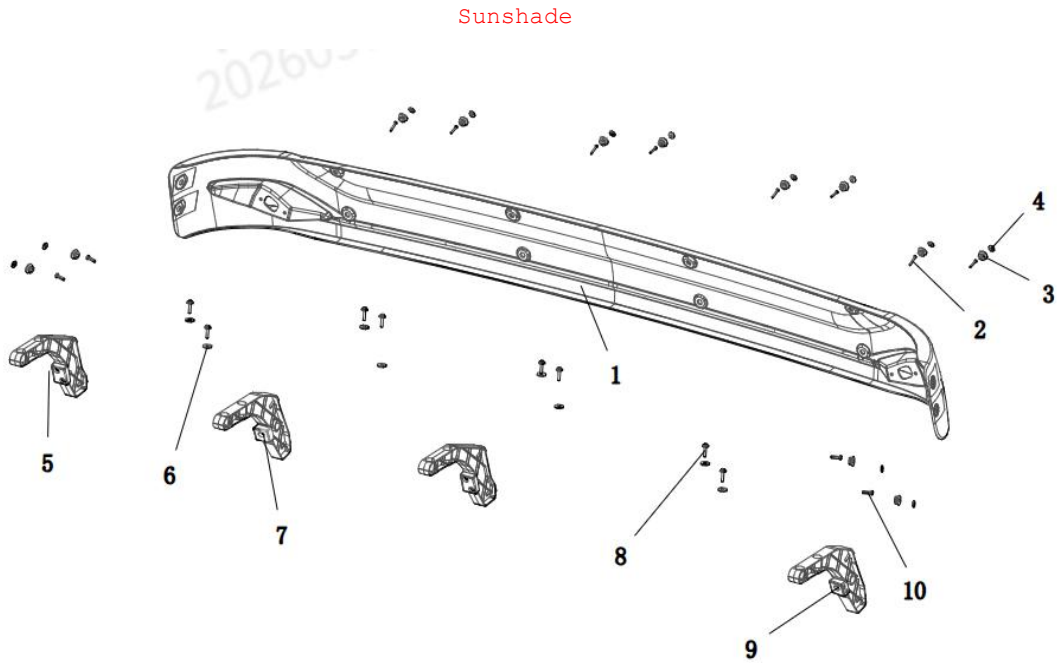
Reference number	Part Number	Part Name	quantity
1	Q2140814F60	Cross Recessed Pan Head Screw	4
2	Q2140635F60	Cross Recessed Pan Head Screw	14
3	DZ14251771013	Front View Mirror Assembly/J, D/RHD	1
4	Q401B08F60	Flat Washer	4
5	DZ14251771030	Left Rearview Mirror Assembly/RHD/Electrically Heated	1
6	Q401B06F60	Flat Washer	14
7	DZ14251771031	Right Rearview Mirror Assembly/RHD/Electric Heating	1
8	DZ14251770013	Blind Rearview Mirror Assembly	1

Left Rearview Mirror Assembly/RHD/Electrically Heated

Reference number	Part Number	Part Name	quantity
	DZ14251770101	Left Rear Cover	1
	DZ14251771130	Left Rearview Mirror/RHD/Electrically Heated	1

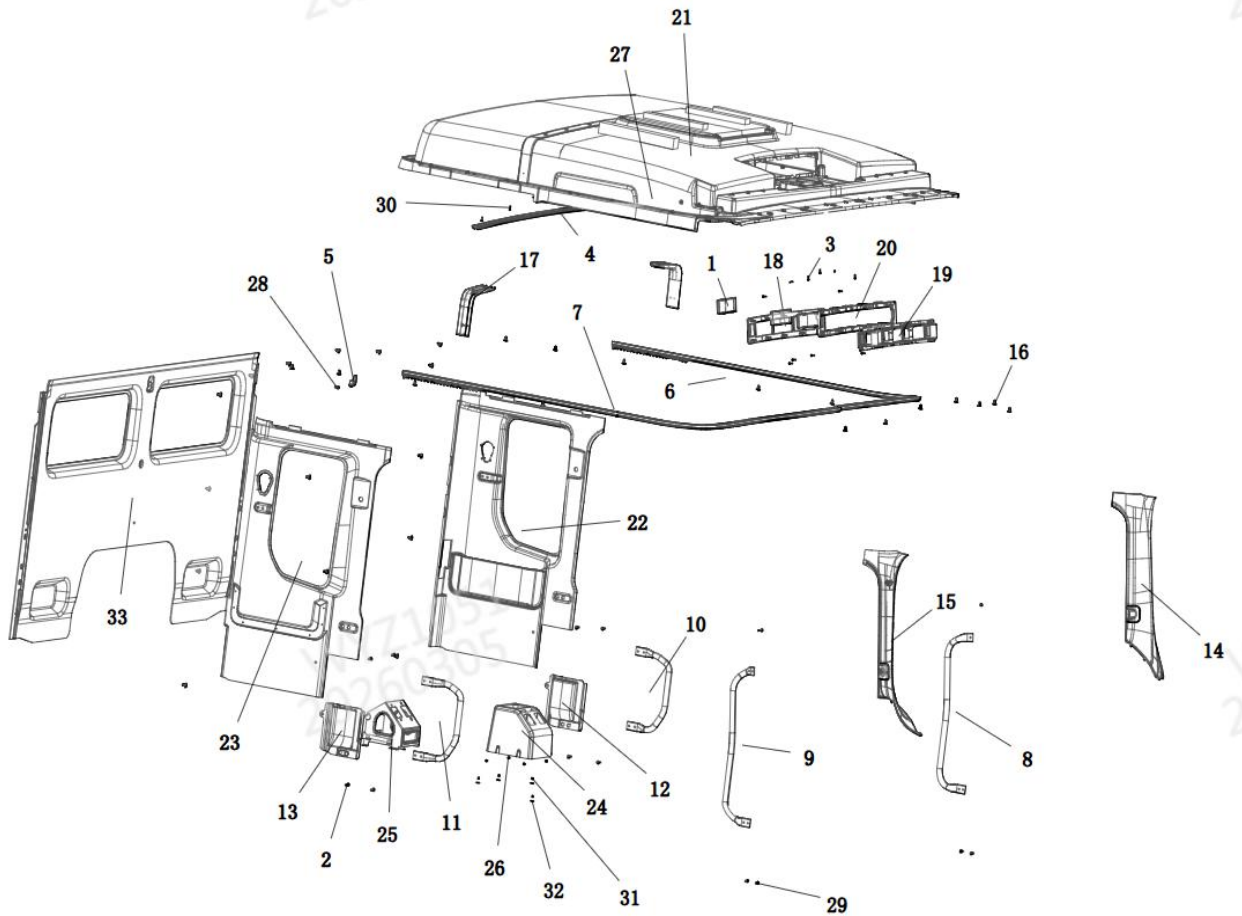
Right Rearview Mirror Assembly/RHD/Electric Heating

Reference number	Part Number	Part Name	quantity
	DZ14251771131	Right Rearview Mirror/RHD/Electrically Heated	1
	DZ14251770102	Right Rear Cover	1



Reference number	Part Number	Part Name	quantity
1	DZ14251880049	Sunshade Body	1
2	Q2715532F31	Cross Recessed Countersunk Head Screw	8
3	DZ14251880039	Rubber Gasket	12
4	Q402B06	Large Washer (Galvanized)	12
5	DZ14251880076	Middle Mounting Bracket Assembly	2
6	DZ14251880044	Rubber Gasket	8
7	DZ14251880063	Left Side Mounting Bracket Assembly	1
8	Q140B0630T1F60L	Hexagonal Head Bolt Flat Washer Combination	4
8	Q140B0630T1F60L	Hexagonal Head Bolt Flat Washer Combination	4
9	DZ14251880064	Right Side Mounting Bracket Assembly	1
10	Q2140625F60	Cross Recessed Pan Head Screw	4

Interior



Reference number	Part Number	Part Name	quantity
1	DZ14251610514	Drive Recorder Plugged Cover	3
2	Q1840625T1F31	Hexagon Flange Bolt	8
3	Q2204219	Cross Recessed Pan Head Tapping Screw And Flat Washer Assembly	12
4	DZ14251610010	Middle Window Rail Assembly	1
5	DZ14251610034	Clothes Hook	1
6	DZ14251610983	Left Circular Curtain Guide Rail Assembly (X3000)	1
7	DZ14251610984	Right Circular Curtain Guide Rail Assembly	1
8	DZ14251610163	Left Front Get-on Armrest	1
9	DZ14251610164	Right Front Boarding Handrail	1
10	DZ14251610165	Left Rear Upper Armrest	1
11	DZ14251610166	Right Rear Boarding Handrail	1
12	DZ14251610167	Left Harness Guard	1
13	DZ14251610168	Right Harness Shield	1
14	DZ14251610180	Left A-Pillar Guard Assembly	1
15	DZ14251610190	Right A-Pillar Protect Panel Assembly	1
16	DZ14251610246	Buckle	23
16	DZ14251610246	Buckle	10
17	DZ14251610513	Flat Top Middle Curtain Guide	2
18	DZ14251610517	Gundrum Box Dashcam Panel	1
19	DZ14251610518	Gundane Box Dashcam Back Frame	1
20	DZ14251610519	Driving Recorder Mounting Bracket	1
21	DZ14251614075	Miscellaneous Box Top Cover Lining Assembly	1

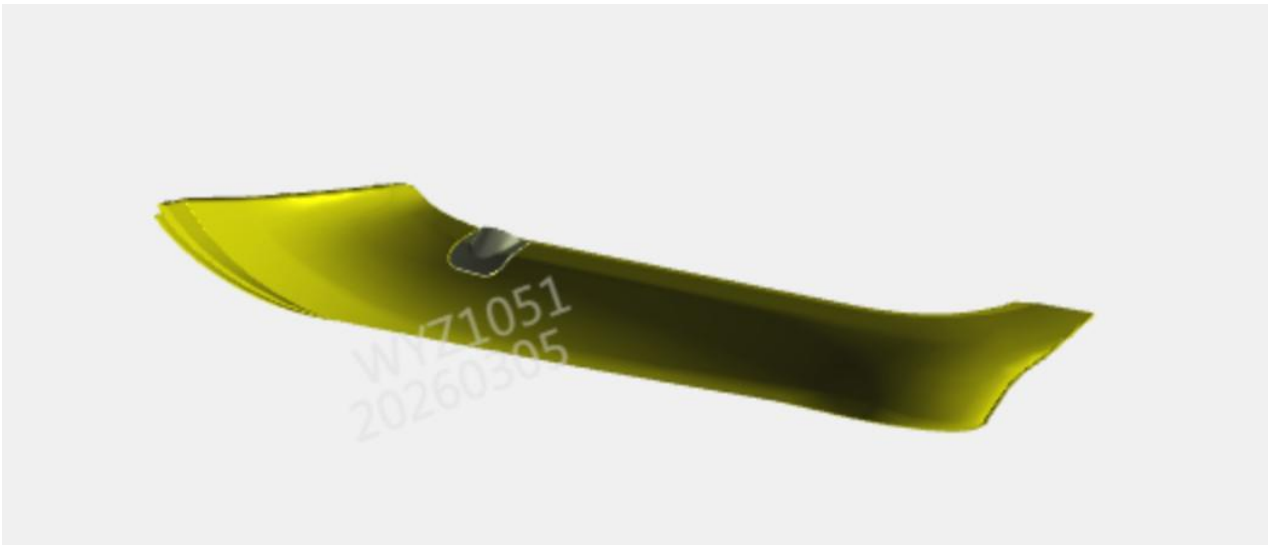
22	DZ14251610871	Left Side Wall Lining Assembly	1
23	DZ14251610872	Right Side Wall Lining Assembly	1
24	DZ14251611201	Hand Brake Cover Plate (RHD)	1
25	DZ14251611205	Handbrake Cover Plate Bracket Assembly (RHD)	1
26	Q2204216	Cross Recessed Pan Head Tapping Screw And Flat Washer Assembly	4
27	Q221B4219F60	Cross Recessed Pan Head Tapping Screw And Flat Washer Assembly	2
28	Q230B0616F60	Cross Slotted Screw And Washer Combination	1
29	Q230B0620F60	Cross Slotted Screw And Washer Combination	3
29	Q230B0620F60	Cross Slotted Screw And Washer Combination	3
30	Q2714219F60	Cross Recessed Countersunk Head Screw	6
31	Q33206	2 Type All Metal Hexagonal Lock Nut*	4
32	Q402B06	Large Washer (Galvanized)	4
33	DZ14251610280	Rear Wall Lining Assembly (High Channel)	1

Middle Window Rail Assembly



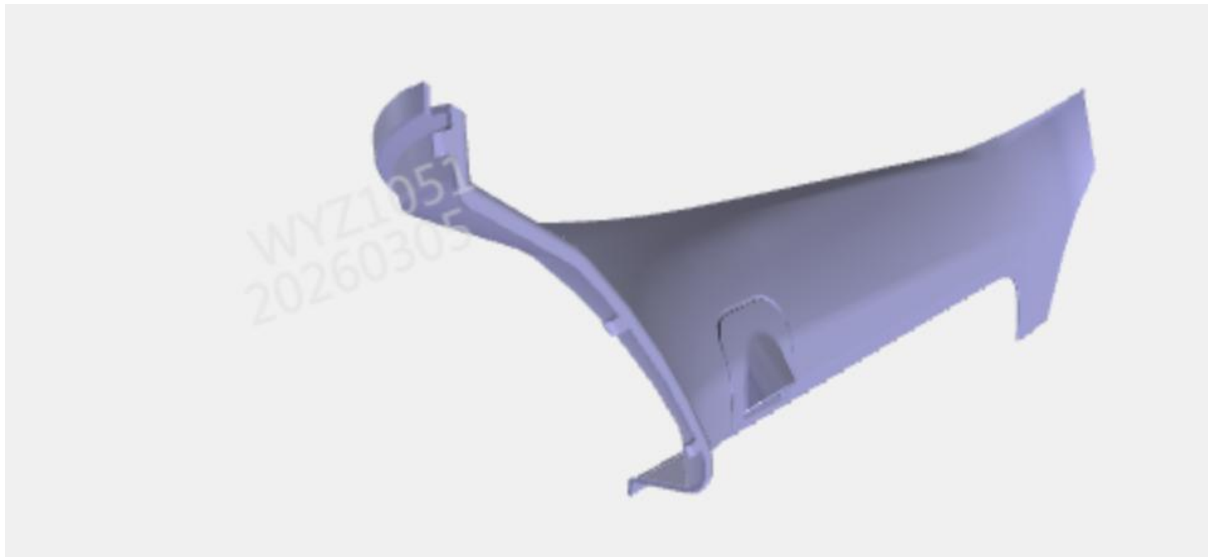
Reference number	Part Number	Part Name	quantity
	DZ14251610012	Middle Curtain Rail	1
	DZ14251611413	Middle Rail Slip Beads	17

Left A-Pillar Guard Assembly



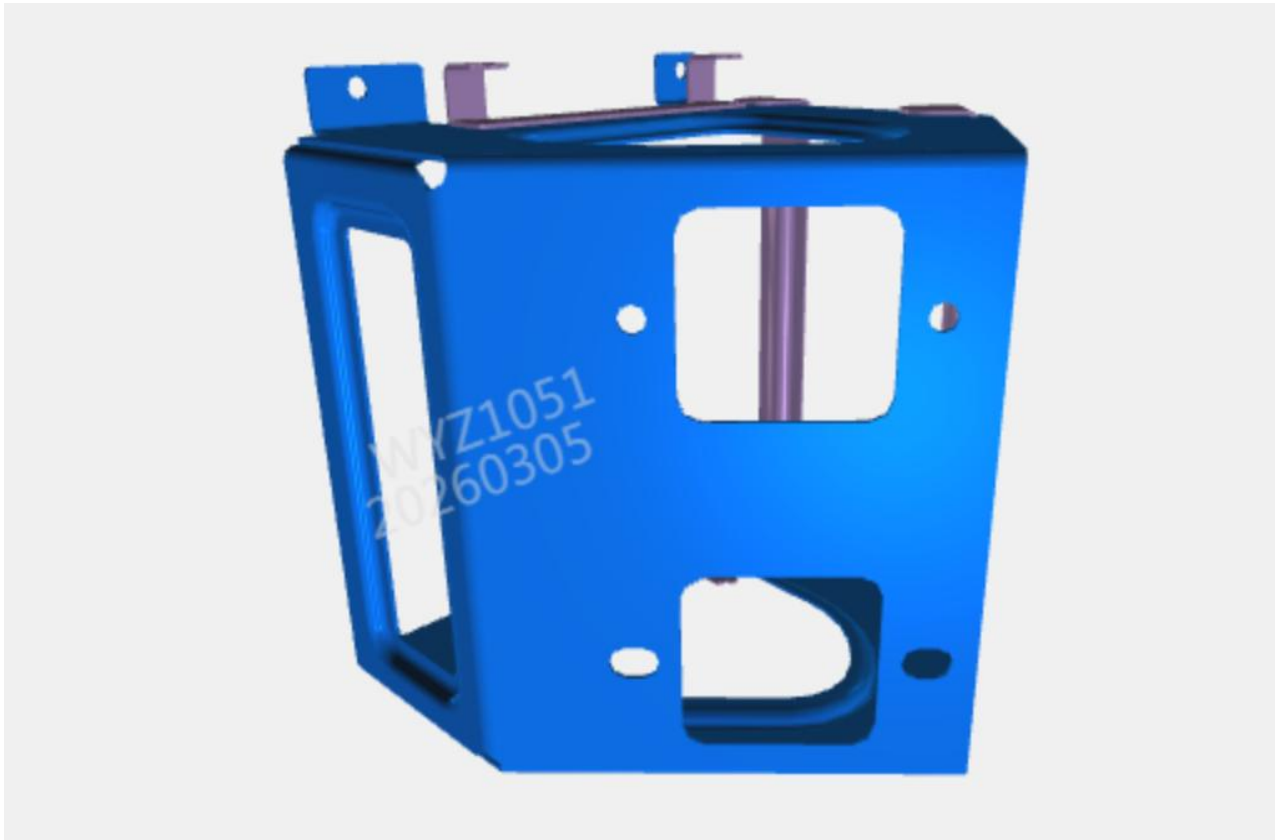
Reference number	Part Number	Part Name	quantity
	DZ14251610181	Left A-Pillar Guard	1
	DZ13241782012	A-Pillar Guard Buckle	1
	DZ14251610185	Left A-Pillar Guard Plate Blanking Cap	1

Right A-Pillar Protect Panel Assembly



Reference number	Part Number	Part Name	quantity
	DZ14251610182	Right A Column Protect Plate	1
	DZ14251610186	Right A-Pillar Protect Plate Blanking Cap	1
	DZ13241782012	A-Pillar Guard Buckle	1

Handbrake Cover Plate Bracket Assembly (RHD)



Reference number	Part Number	Part Name	quantity
	DZ14251611206	Handbrake Cover Plate Bracket 1 (RHD)	1
	DZ14251610207	Handbrake Cover Bracket 2	2
	DZ14251610208	Handbrake Cover Bracket 3	2

Rear Wall Lining Assembly (High Channel)



Reference number	Part Number	Part Name	quantity
	DZ14251610281	Rear Wall Lining	1
	DZ14251610033	Foam Board	2
	DZ14251610032	Lined Spring Card	4

Cab

Reference number	Part Number	Part Name	quantity
	DZ14251107227	Cab	1

Cab

Reference number	Part Number	Part Name	quantity
	DZ14251107226	Cab	1
	DZ14251150095	Vehicle Nameplate Installation Bracket	1
	DZ14251154021	Reinforced Part Of Pillar A	1
	DZ14251154022	Reinforced Part Of Pillar A	1
	DZ14251154023	Reinforced Part Of Pillar A	1
	DZ14251154024	Reinforced Part Of Pillar A	1
	DZ14251154025	Reinforced Part Of Pillar A	1
	DZ14251154026	Reinforced Part Of Pillar A	1

Cab

Reference number	Part Number	Part Name	quantity
	DZ14251187226	Cab	1
	DZ14251217010	Left Door Assembly	1
	DZ14251217020	Right Door Assembly	1
	DZ14251210090	Left Door Upper Hinge Assembly	1
	DZ14251210100	Left Door Lower Hinge Assembly	1
	DZ14251210110	Right Door Upper Hinge Assembly	1
	DZ14251210120	Right Door Lower Hinge Assembly	1
	DZ13241150051	Front Panel Left Reinforcement Plate	1
	DZ13241150052	Front Panel Right Reinforcement Plate	1
	DZ14251150071	Left A-Pillar Inner Reinforcement Plate	1
	DZ14251150072	Right A-Pillar Inner Reinforcement Plate	1
	Q1860825TF3	Hexagon Flange Bolt	32
	Q402B08	Large Washer (Galvanized)	32
	Q40308F60	Spring Washer*	32
	Q4420410	Closed Type Flat Round Head Blind Rivets	7

		Cab	
Reference number	Part Number	Part Name	quantity
	81. 62811. 2330	Lifting Tube	2
	DZ14251157070	Pipe Beam Assembly	1
	DZ14251157300	Front Wall Assembly	1
	DZ14251173170	Top Cover Assembly/Deflector/RHD/J	1
	DZ14251190080	Rear Wall Assembly/With Rear Window	1
	DZ14251203020	Right Panel Assembly	1
	DZ14251203030	Left Side Enclosure Assembly /J/ Side Toolbox	1
	DZ14251273051	Floor assembly	1

		Front Wall Assembly	
Reference number	Part Number	Part Name	quantity
	DZ14251150029	Left Reinforced Plate Of Pillar A	1
	DZ14251150031	Right Reinforced Plate Of Pillar A	1
	DZ14251150040	Front Left Upper Inner Pillar Assembly	1
	DZ14251150060	Front Right Upper Inner Pillar Assembly	1
	DZ14251157310	Front Outer Panel Assembly	1
	DZ14251157080	Front Inner Panel Assembly	1

		Front Outer Panel Assembly	
Reference number	Part Number	Part Name	quantity
	81. 62410. 4168	Right Reinforcement Plate Assembly	1
	81. 62410. 4169	Left Reinforcement Plate Assembly	1
	DZ14251157320	Front Outer Panel Sub Assembly	1

		Front Outer Panel Sub Assembly	
Reference number	Part Number	Part Name	quantity
	06. 13179. 0004	Welding Nut M8	10
	DZ14251150012	Front Wall Upper Crossbeam	1
	DZ14251153011	Left Mounting Bracket/Visor Curtain	1
	DZ14251153012	Middle Mounting Bracket/Visor Curtain	1
	DZ14251153013	Right Mounting Bracket/Visor Curtain	1
	DZ14251153014	Top Cover Left Connecting Beam Bracket	1
	DZ14251153015	Top Cover Right Beam Connection Bracket	1
	DZ90001990625	Welding Stud	7
	DZ14251157011	Front Outer Panel	1

Rear Wall Assembly/With Rear Window

Reference number	Part Number	Part Name	quantity
	1-99-974-128	Nut Plate	1
	81.62710.2241	Rear Wall Upper Crossbeam	1
	81.62710.2278	Right Pillar	1
	81.62710.2279	Left Pillar	1
	81.62730.4275	Left Rear Window Inner Panel Assembly	1
	DZ13241190061	Rear Outer Panel	1
	DZ14251190030	Right Rear Window Inner Panel Assembly	1
	DZ14251190025	Rear Lower Crossbeam Assembly	1
	DZ14251190023	Neutral Column Assembly	1

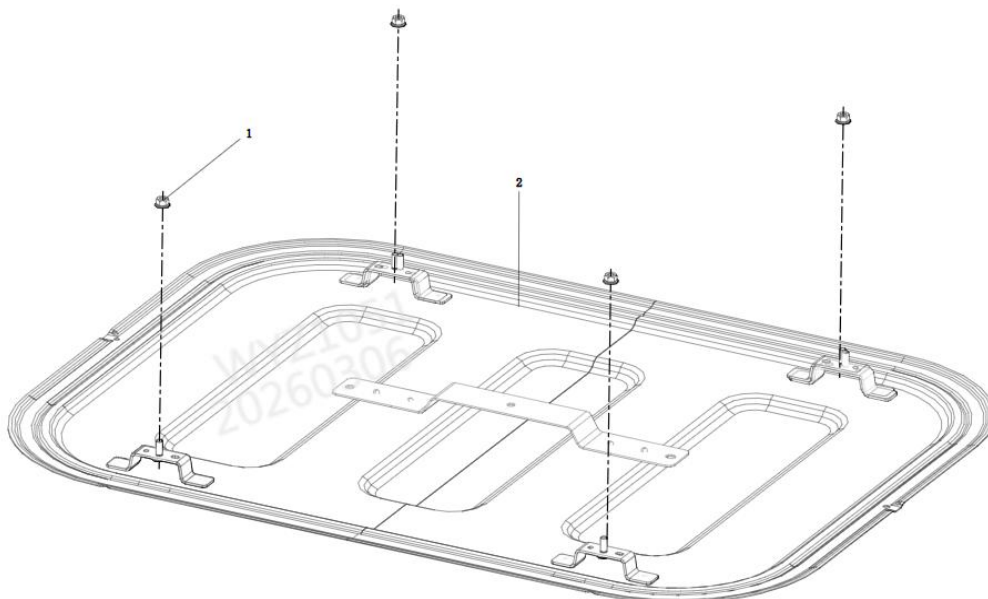
Rear Lower Crossbeam Assembly

Reference number	Part Number	Part Name	quantity
	DZ13241190155	Left Rear Lower Bracket	1
	DZ13241190156	Right Rear Lower Bracket	1
	DZ14251190027	Rear Lower Crossbeam/High Passage	1

Neutral Column Assembly

Reference number	Part Number	Part Name	quantity
	DZ13241190140	Middle Column	1
	Q37106	Welding Square Nut	1

Sunroof panel assembly



Reference number	Part Number	Part Name	quantity
1	Q33006	All Metal Hexagonal Flange Locking Nut- Galvanized	4
2	DZ14251421007	Sunroof Cover Welding Assembly (Flat Top)	1

Sunroof Cover Welding Assembly (Flat Top)



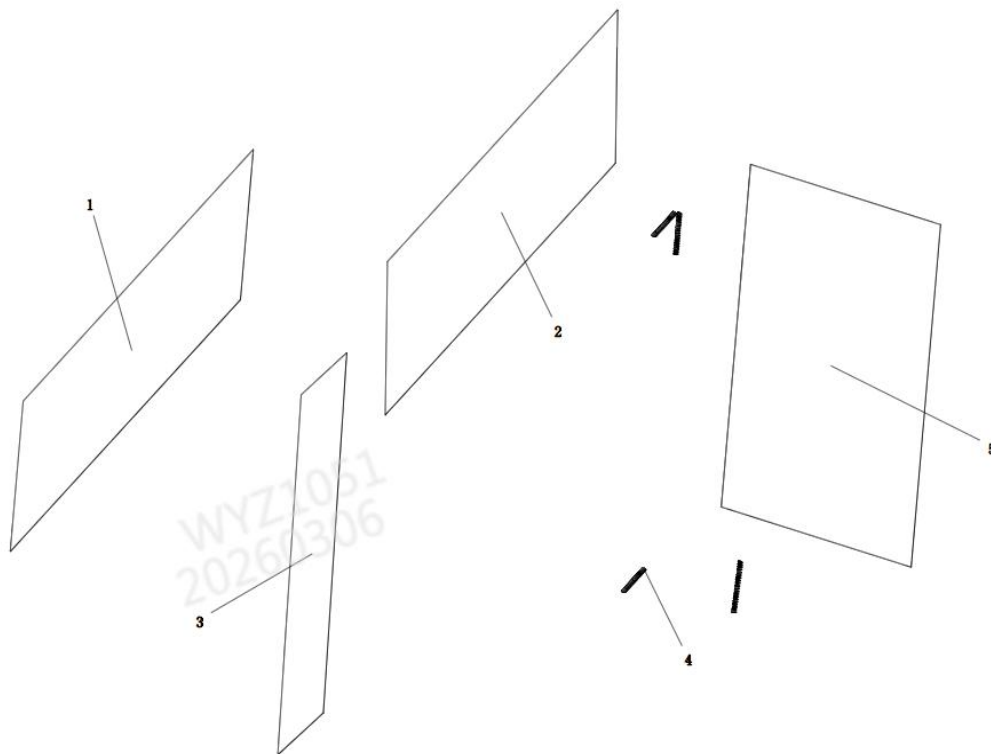
Reference number	Part Number	Part Name	quantity
	DZ14251420104	Top Lining Installation Bracket	1
	DZ16231420101	Sunroof Cover	1
	DZ16231420102	Sunroof Cover Mounting Bracket Assembly	4

Sunroof Cover Mounting Bracket Assembly



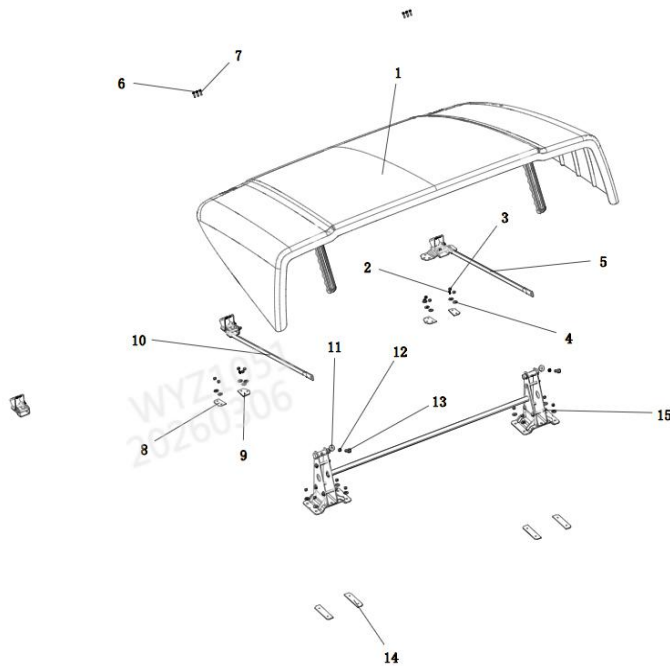
Reference number	Part Number	Part Name	quantity
	DZ16231420103	Sunroof Cover Mounting Bracket	1
	Q1980616	Face Projection Welding Bolt	1

Curtain



Reference number	Part Number	Part Name	quantity
1	DZ14251590010	Cab Left Ring Curtain	1
2	DZ14251590020	Cab Right Ring Curtain	1
3	DZ14251590030	Cab Rear Ring Curtain/N Non-Widened, J, D	1
4	DZ13241570106	Curtain Hook	80
5	DZ14251590050	Cab Sleeper Curtain	1

Deflector



Reference number	Part Number	Part Name	quantity
1	DZ14251870150	Deflector Sub-Assembly	1
2	Q40308	Spring Washer 190003931102	18
3	Q340B08T2F3	Type 1 Hex Nut	18
4	Q402B08	Large Washer (Galvanized)	18
5	DZ14251870354	Right Front Connecting Rod Assembly	1
6	Q401B06	Flat Washer	8
7	Q2140625	Cross Recessed Pan Head Screw	8
8	DZ14251870222	Rubber Pad/I	2
9	DZ14251870223	Rubber Pad/II	2
10	DZ14251870353	Front Left Connecting Rod Assembly	1
11	Q402B10	Large Washer (Galvanized)	2
12	Q40310	Spring Washer 190003931122	2
13	DZ14251870164	Hexagon Flange Bolt	2
14	DZ14251870224	Rubber Pad/III	4
15	DZ14251870351	Rear Support Frame Assembly	1

Deflector Sub-Assembly

Reference number	Part Number	Part Name	quantity
	DZ14251870151	Deflector Body	1
	DZ14251870152	Adjustment Mechanism Assembly	1
	Q140B0616T1F60L	Hexagonal Head Bolt Flat Washer Combination	9

Adjustment Mechanism Assembly

Reference number	Part Number	Part Name	quantity
	DZ14251870021	Stud	2
	DZ14251870153	Strengthened Elbow Assembly	1
	DZ14251870155	Adjusting Bracket	2
	Q150B0875	Hexagon Head Bolt (Galvanized)	2
	Q340B08T2F3	Type 1 Hex Nut	2
	Q402B08	Large Washer (Galvanized)	4
	Q40308	Spring Washer 190003931102	2

Strengthened Elbow Assembly

Reference number	Part Number	Part Name	quantity
	DZ14251870017	Bend Welding Bracket	3
	DZ14251870154	Strengthened Elbow	1

Right Front Connecting Rod Assembly

Reference number	Part Number	Part Name	quantity
	DZ14251870156	Hinge Assembly	1
	DZ14251870168	Connecting Circular Pipe	1
	DZ14251870221	Right Front Mounting Bracket Welding	1
	Q150B0885	Hexagon Head Bolt (Galvanized)	1
	Q340B08T2F3	Type 1 Hex Nut	3
	Q402B08	Large Washer (Galvanized)	4
	Q40308	Spring Washer 190003931102	3

Hinge Assembly

Reference number	Part Number	Part Name	quantity
	DZ14251870021	Stud	1
	DZ14251870044	Front Fixing Bracket Assembly	1
	DZ14251870157	Hinge Bracket Welding Assembly	1
	Q150B0875	Hexagon Head Bolt (Galvanized)	1
	Q340B08T2F3	Type 1 Hex Nut	1
	Q402B08	Large Washer (Galvanized)	2
	Q40308	Spring Washer 190003931102	1

Front Fixing Bracket Assembly

Reference number	Part Number	Part Name	quantity
	DZ14251870049	Front Fixing Bracket	1
	Q37106	Welding Square Nut	4

Hinge Bracket Welding Assembly

Reference number	Part Number	Part Name	quantity
	DZ14251870159	Bush	1
	DZ14251870158	Hinge Bracket	1

Right Front Mounting Bracket Welding Assembly

Reference number	Part Number	Part Name	quantity
	DZ14251870214	Right Front Mounting Assembly	1
	Q1980825	Bearing Welding Bolt	2

Front Left Connecting Rod Assembly

Reference number	Part Number	Part Name	quantity
	DZ14251870156	Hinge Assembly	1
	DZ14251870220	Left Front Mounting Bracket Welding Assembly	1
	DZ14251870168	Connecting Circular Pipe	1
	Q150B0885	Hexagon Head Bolt (Galvanized)	1
	Q40308	Spring Washer 190003931102	3
	Q402B08	Large Washer (Galvanized)	4
	Q340B08T2F3	Type 1 Hex Nut	3

Hinge Assembly

Reference number	Part Number	Part Name	quantity
	DZ14251870021	Stud	1
	DZ14251870044	Front Fixing Bracket Assembly	1
	DZ14251870157	Hinge Bracket Welding Assembly	1
	Q150B0875	Hexagon Head Bolt (Galvanized)	1
	Q340B08T2F3	Type 1 Hex Nut	1
	Q402B08	Large Washer (Galvanized)	2
	Q40308	Spring Washer 190003931102	1

Front Fixing Bracket Assembly

Reference number	Part Number	Part Name	quantity
	DZ14251870049	Front Fixing Bracket	1
	Q37106	Welding Square Nut	4

Hinge Bracket Welding Assembly

Reference number	Part Number	Part Name	quantity
	DZ14251870159	Bush	1
	DZ14251870158	Hinge Bracket	1

Left Front Mounting Bracket Welding Assembly

Reference number	Part Number	Part Name	quantity
	DZ14251870213	Left Front Mounting Bracket	1
	Q1980825	Bearing Welding Bolt	2

Rear Support Frame Assembly

Reference number	Part Number	Part Name	quantity
	DZ14251870165	Base Reinforcement Bracket Welding Assembly	1
	DZ14251870215	Base Mounting Assembly	2
	Q150B0885	Hexagon Head Bolt (Galvanized)	6
	Q340B08T2F3	Type 1 Hex Nut	6
	Q402B08	Large Washer (Galvanized)	12
	Q40308	Spring Washer 190003931102	6

Base Reinforcement Bracket Welding Assembly

Reference number	Part Number	Part Name	quantity
	DZ14251870166	Base Reinforced Circular Tube	1
	DZ14251870167	Base Reinforcement Bracket	2

Base Mounting Assembly

Reference number	Part Number	Part Name	quantity
	DZ14251870163	Shaft	1
	DZ14251870212	Base Welding Assembly	1
	Q43125	Shield Ring 190003933116	1

Base Welding Assembly

Reference number	Part Number	Part Name	quantity
	DZ14251870161	Welding Assembly Of Base Bracket	1
	DZ14251870211	Rear Welded Support Assembly	1

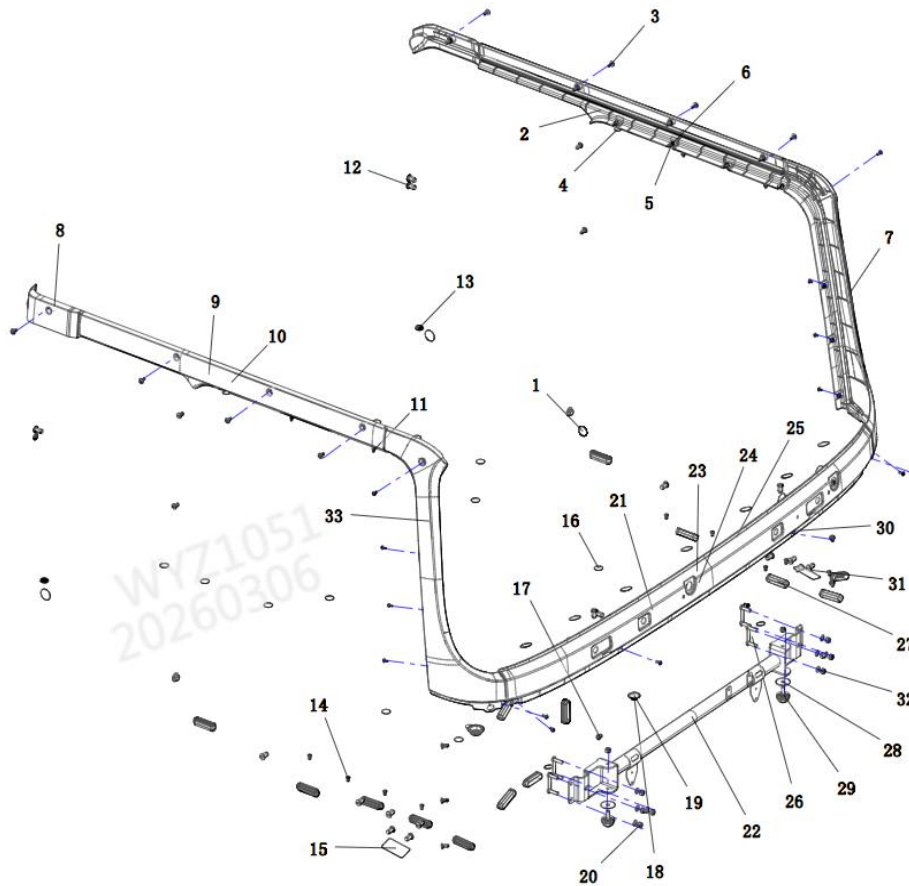
Welding Assembly Of Base Bracket

Reference number	Part Number	Part Name	quantity
	DZ14251870159	Bush	3
	DZ14251870162	Base Bracket	1

Rear Welded Support Assembly

Reference number	Part Number	Part Name	quantity
	DZ14251870216	Base	1
	DZ14251870217	Vertical Plate	2
	DZ14251870218	Rib Plate 1	2
	DZ14251870219	Rib Plate 2	2

Assembly Parts



Reference number	Part Number	Part Name	quantity
1	DZ14251970050	Door Inner Panel Blocking $\Phi 35$	6
2	DZ14251971011	Left Side Panel Decorative Plate/J	1
3	Q230B0620F60	Cross Slotted Screw And Washer Combination	4
3	Q230B0620F60	Cross Slotted Screw And Washer Combination	4
4	DZ14251970023	PVC Blockage $\Phi 25$	2
5	DZ14251970009	Plastic Clip	14
6	Q221B4216F60	Cross Recessed Pan Head Tapping Screw And Flat Washer Assembly	3
6	Q221B4216F60	Cross Recessed Pan Head Tapping Screw And Flat Washer Assembly	3
6	Q221B4216F60	Cross Recessed Pan Head Tapping Screw And Flat Washer Assembly	4
6	Q221B4216F60	Cross Recessed Pan Head Tapping Screw And Flat Washer Assembly	4
7	DZ14251110561	Left A-Pillar Trim Panel Assembly/JD/19	1
8	06.13169.0010	Hexagon Rivet Nut/M6X21,8-ST	18
9	DZ14251971012	Right Side Wall Decorative Panel/J	1
10	DZ14251970045	Upper Sealing Strip	2
11	81.96002.0142	Plug/8.3*11-13-PE-SW	4
12	DZ14251970035	Blanking Cap/ $\Phi 11$	4
13	DZ14251970025	Blanking Cap	2
14	06.13169.0012	Riveted Nut/AM6*13-QST36.6-A3A	12
15	DZ14251970028	Cloth Base Blocking Tape 50×90	2
16	DZ14251970051	Blocking Sticker Φ Thirty	4

16	DZ14251970051	Blocking Sticker Φ Thirty	12
17	06.13169.0013	Riveted Nut/M8*15.5-ST	2
18	81.96002.0154	Plug	4
19	DZ14251970026	Butyl Adhesive Blocking Tape	2
20	Q33210T2F3	2 Type All Metal Hexagonal Lock Nut	8
20	Q33210T2F3	2 Type All Metal Hexagonal Lock Nut	2
21	81.96002.0308	Plug/B38-PVC-PAL9011	2
22	DZ13241970006	Cross Beam Assembly/Height Valve	1
23	DZ14251111553	Wiper Cover Trim Panel/X5000/RHD	1
24	DZ14251970018	Front Windshield Lower Trim Panel Seal Strip	1
25	DZ14251970027	Cloth Base Blocking Tape Φ Forty	18
26	81.97487.5027	Connecting Plate	4
27	81.96410.0502	Long Blockage	19
28	81.90714.0349	Shim 11 * 50 * 15-Alcumgpbf37	2
29	DZ15221433015	Spacing Block	2
30	Q230B0616F60	Cross Slotted Screw And Washer Combination	5
30	Q230B0616F60	Cross Slotted Screw And Washer Combination	2
30	Q230B0616F60	Cross Slotted Screw And Washer Combination	2
31	06.13169.0011	Riveted Nut/AM8*28.7-ST/PUR-A3R	18
32	Q401B10	Flat Washer	8
33	DZ14251110562	Right A-Pillar Trim Panel Assembly	1

Left A-Pillar Trim Panel Assembly/JD/19 Model



Reference number	Part Number	Part Name	quantity
	DZ14251110563	Left A-Pillar Trim Panel	1
	DZ14251110557	Left A-Pillar Sealant Strip	1

Cross Beam Assembly/Height Valve

Reference number	Part Number	Part Name	quantity
	81.62821.2238	Support Tube	1

81.62821.2239	Angle Plate	2
81.97488.2759	2-Hole Connecting Plate	3
DZ14251430116	Height Valve Bracket/Front	1
SZ197000002	Bracket	1

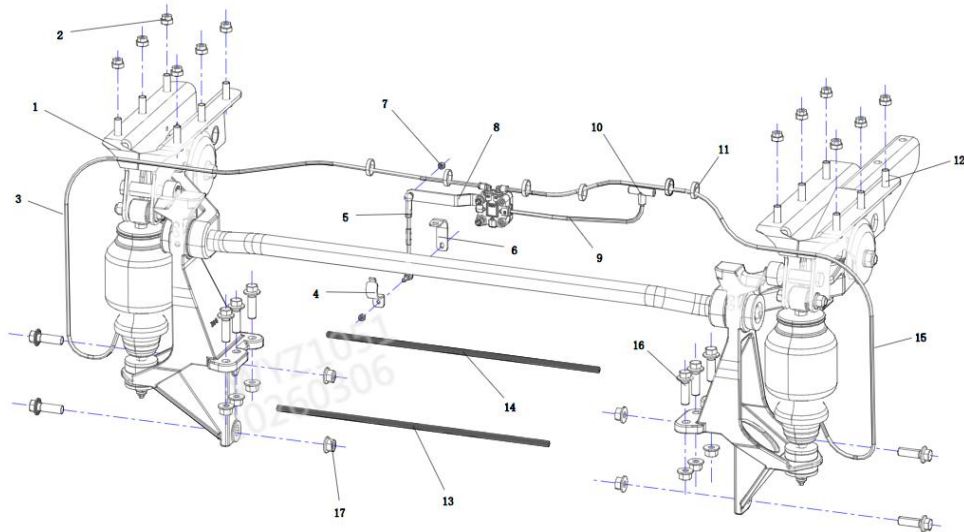
Right A-Pillar Trim Panel Assembly



Reference number	Part Number	Part Name	quantity
	DZ14251110564	Right A-Pillar Trim Panel	1
	DZ14251110557	Left A-Pillar Sealant Strip	1

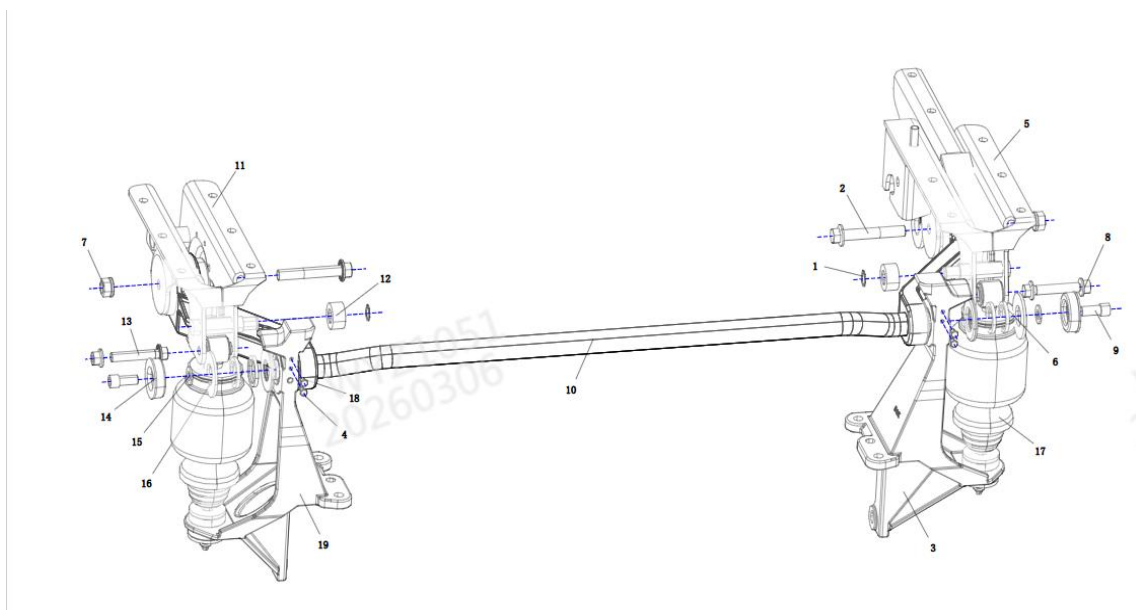
Peripheral Parts Of The Cab

Front suspension of the cab



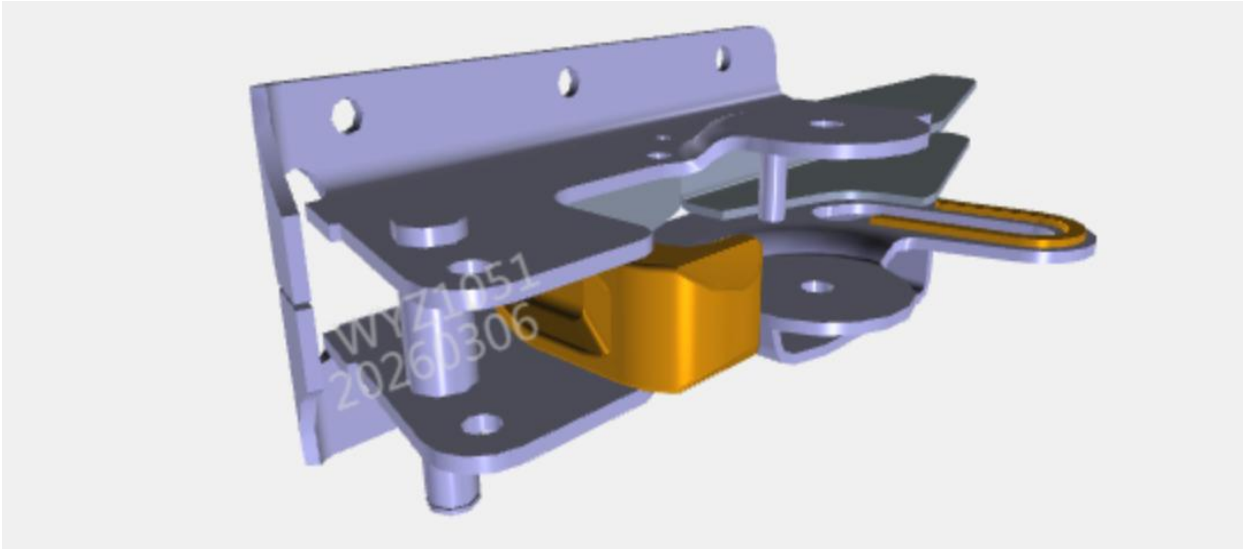
Reference number	Part Number	Part Name	quantity
1	DZ14251433214	X3000 Front Suspension Sub-Assembly	1
2		1. 90004E+11 Self-Locking Nut	14
3	DZ14251440228	Polyamide Pipe/Black/1400	1
4	DZ15221430248	Bracket/II	1
5	DZ14251440296	Adjustment Lever Assembly	1
6	DZ15221430247	Bracket/I	1
7	Q33206	2 Type All Metal Hexagonal Lock Nut*	2
8	DZ15221440034	Altitude Valve/Front	1
9	DZ15221430090	Polyamide Tube	1
10	81. 98181. 6065	T-Shaped Joint	1
11		1. 90003E+11 Plastic Fastening Belt/A5×280 N05199	2
11		1. 90003E+11 Plastic Fastening Belt/A5×280 N05199	6
12	Q151C1235T1F3	Hexagon Head Bolt- Fine Thread	11
13	DZ14251440185	Corrugated Pipe	1
14	DZ14251440214	Corrugated Pipe	1
15	DZ14251440227	Polyamide Pipe/Black/1250	1
16	Q1811445TF3	Toothed Bolt With Hexagon Flange Face	10
17	06. 11251. 2005	Hexagon Nut With Flange/M7. 112. 40 M14*1. 5-10-MAN183B1	10

X3000 Front Suspension Sub-Assembly



Reference number	Part Number	Part Name	quantity
1	06.29010.0117	Shield Ring	2
2	SXQ18116100TF3	Toothed Bolt With Hexagon Flange Face	2
3	DZ14251430156	Front Overhang Left Support Assembly/850/+70	1
4	Q150B0610	Hexagonal Head Bolt	4
5	81.41720.5339	Cab Turnover Shaft Left Support Assembly/RHD	1
6	81.96503.0129	Gasket	4
7	SZ952000864	Dtf Hex Flange Nut M16 × One Point Five	2
8	06.11251.2005	Hexagon Nut With Flange/M7.112.40 M14*1.5-10-MAN183B1	2
9	Q218B1430	Hexagon Socket Head Cap Screw	2
10	DZ13241430080	Cab Turnover Shaft Assembly	1
11	81.41720.5342	Cab Turnover Shaft Right Support	1
12	81.95801.0114	Roller	2
13	Q1811475TF3	Toothed Bolt With Hexagon Flange Face	2
14	81.96210.0407	Gasket	2
15	Q401B14	Flat Washer	2
16	81.96101.0638	Gasket	2
17	DZ14251430020	Air Spring	2
18	81.90713.0909	Adjusting Shim	2
19	DZ14251430159	Front Overhang Right Support	1

Cab Turnover Shaft Left Support Assembly/RHD



Reference number	Part Number	Part Name	quantity
	81.41720.2402	Corner Piece	1
	81.41720.2570	U-Guide Rail	1
	81.41720.2719	Left Bracket	1
	81.41720.2722	Right Bracket	1
	81.41720.2723	U-Shaped Reinforcement Plate	1
	81.41720.2724	U-Shaped Right Reinforcing Plate	1
	81.91020.2297	Pin Bolt	1
	81.91020.2311	Pin	1
	81.94339.2801	Welding Plate	1
	Q151C1235T1F3	Hexagon Head Bolt- Fine Thread	1

Cab Turnover Shaft Assembly



Reference number	Part Number	Part Name	quantity
------------------	-------------	-----------	----------

81.41715.5010
DZ13241430085

Balance Bar Assembly
Split Bush

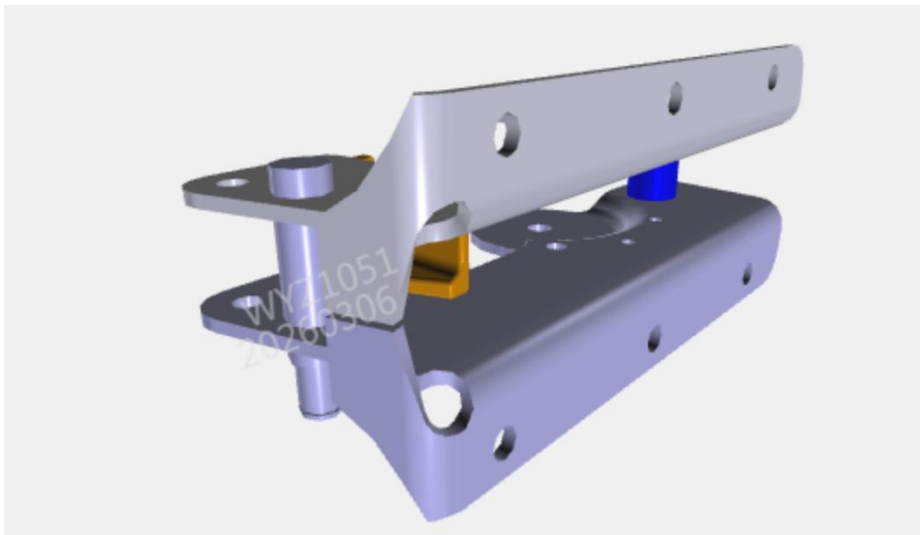
1
2

Balance Bar Assembly



Reference number	Part Number	Part Name	quantity
	81.41715.2007	Left Rocker Arm	1
	81.41715.2008	Right Rocker Arm	1
	81.41715.2009	Shaft	1

Cab Turnover Shaft Right Support Assembly/RHD



Reference number	Part Number	Part Name	quantity
------------------	-------------	-----------	----------

81.41720.2719	Left Bracket	1
81.41720.2720	Right Bracket	1
81.41720.2402	Corner Piece	1
81.91020.2311	Pin	1
81.94299.2557	Axle Sleeve	1

Adjustment Lever Assembly

Reference number	Part Number	Part Name	quantity
	DZ14251440295	Threaded Rod/Front	1
	DZ14251440357	Ball Joint/Left Thread/M6	1
	DZ14251440358	Ball Joint/Right Thread/M6	1
	Q340B06	Type 1 Hex Nut	2
	Q40306	Spring Washer	2

Rear Suspension

Reference number	Part Number	Part Name	quantity
	DZ13241442027	Left Rear Suspension Subassembly	1
	DZ13241442012	Right Rear Suspension Sub-Assembly	1
	Q1811440TF3	Toothed Bolt With Hexagon Flange Face	6
	06.11251.2005	Hexagon Nut With Flange/M7.112.40 M14*1.5-10-MAN183B1	6
	81.61851.0008	Concave Plate	4
	81.96210.0364	Sleeve	2
	81.96210.0462	Rubber Sleeve	2
	Q151B1470TF3	Hexagon Head Bolt- Fine Thread	2
	06.11251.2005	Hexagon Nut With Flange/M7.112.40 M14*1.5-10-MAN183B1	2
	Q151B16110TF3	Hexagon Head Bolt- Fine Thread	2
	1.90004E+11	Self-Locking Nut	2
	1.90004E+11	Ferrule Type T Joint	1
	DZ96259820165	High Pressure Hose/L/950	1
	DZ93259820039	High Pressure Hose/L/1050	1
	DZ93259820031	High-Pressure Hose/L/350	1
	81.98181.6065	T-Shaped Joint	1
	DZ14251440184	Polyamide Pipe/Red/1550	1
	SZ144000751	Polyamide Tube	1
	DZ93189776061	Cab Lock Signal Switch Wiring Harness	1
	DZ93189777161	Ordinary Narrow Cable Tie	7

Left Rear Suspension Subassembly

Reference number	Part Number	Part Name	quantity
	DZ1640440150	Left Rear Suspension Bracket Assembly	1
	DZ14251440020	Air Spring	1
	Q151B1475T1F3	Hexagon Head Bolt- Fine Thread	1
	190003888458	Self-Locking Nut	1
	DZ13241440032	No Signal Switch Locking	1
	Q151B16100T1F3	Hexagon Head Bolt- Fine Thread	1
	190003888459	Self-Locking Nut	1
	Q151B1465T1F3	Hexagon Head Bolt- Fine Thread	1
	190003888458	Self-Locking Nut	1
	Q151C1235T1F3	Hexagon Head Bolt- Fine Thread	4
	190003888457	Self-Locking Nut	4
	81. 41701. 0036	U-Bracket	1
	Q151C1225TF3	Hexagon Head Bolt- Fine Thread	2
	190003888457	Self-Locking Nut	2
	DZ13241440162	Left Bracket	1
	DZ13241440070	Height Valve	1
	Q150B0850	Hexagonal Head Bolt	2
	Q33208T2F3	2 Type All Metal Hexagonal Lock Nut	2
	Q401B08	Flat Washer	1
	DZ13241440046	Regulating Lever Assembly	1
	Q33206	2 Type All Metal Hexagonal Lock Nut*	2
	SZ144000752	Polyamide Tube	1

Left Rear Suspension Bracket Assembly

Reference number	Part Number	Part Name	quantity
	81. 41701. 2348	Holding Bracket	1
	81. 41701. 2444	Shock Absorber Bracket	1
	DZ13241440098	Baffle Plate	2
	DZ1640440151	Support Pipe	1
	DZ1640440153	Left Reinforcement Plate	1
	DZ1640440224	Connecting Plate	1

Regulating Lever Assembly



Reference number	Part Number	Part Name	quantity
	Q340B06	Type 1 Hex Nut	2
	Q40306	Spring Washer	2
	Q7460640	Ball Joint	2
	DZ13241440038	Adjustment Lever	1

Adjustment Lever

Reference number	Part Number	Part Name	quantity
	Q340B06	Type 1 Hex Nut	1
	DZ13241440037	Threaded Rod (Threaded Rod)	1

Right Rear Suspension Sub-Assembly

Reference number	Part Number	Part Name	quantity
	190003888457	Self-Locking Nut	6
	190003888458	Self-Locking Nut	2
	190003888459	Self-Locking Nut	1
	81.41701.0036	U-Bracket	1
	DZ14251440020	Air Spring	1
	DZ13241440046	Regulating Lever Assembly	1
	DZ13241440070	Height Valve	1
	DZ13241440163	Right Bracket	1
	DZ1640440160	Rear Right Suspension Bracket Assembly	1
	Q150B0850	Hexagonal Head Bolt	2
	Q151B1465T1F3	Hexagon Head Bolt- Fine Thread	1
	Q151B1470T1F3	Hexagon Head Bolt- Fine Thread	1
	Q151B16100T1F3	Hexagon Head Bolt- Fine Thread	1
	Q151C1225TF3	Hexagon Head Bolt- Fine Thread	2

Q151C1235T1F3	Hexagon Head Bolt- Fine Thread	4
Q33206	2 Type All Metal Hexagonal Lock Nut*	2
Q33208T2F3	2 Type All Metal Hexagonal Lock Nut	2
Q401B08	Flat Washer	1
SZ144000752	Polyamide Tube	1
SZ144000756	Cab Lock	1

Regulating Lever Assembly



Reference number	Part Number	Part Name	quantity
	Q340B06	Type 1 Hex Nut	2
	Q40306	Spring Washer	2
	Q7460640	Ball Joint	2
	DZ13241440038	Adjustment Lever	1

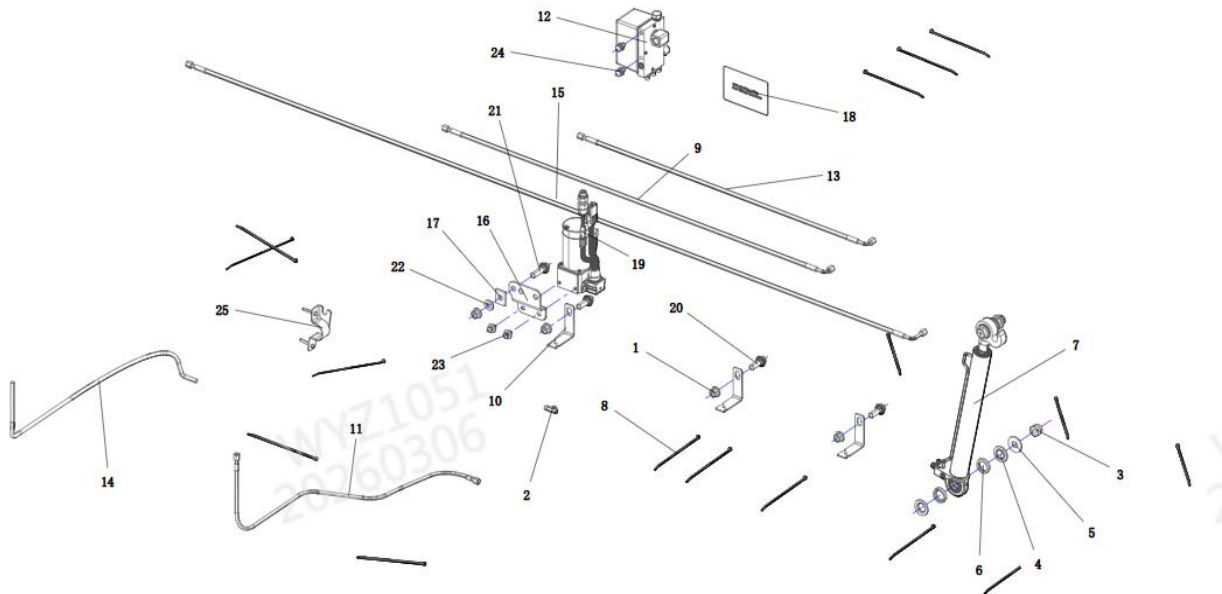
Adjustment Lever

Reference number	Part Number	Part Name	quantity
	Q340B06	Type 1 Hex Nut	1
	DZ13241440037	Threaded Rod (Threaded Rod)	1

Rear Right Suspension Bracket Assembly

Reference number	Part Number	Part Name	quantity
	81. 41701. 2348	Holding Bracket	1
	81. 41701. 2444	Shock Absorber Bracket	1
	DZ13241440098	Baffle Plate	2
	DZ1640440151	Support Pipe	1
	DZ1640440154	Right Reinforced Plate	1
	DZ1640440224	Connecting Plate	1

Cab tilting device



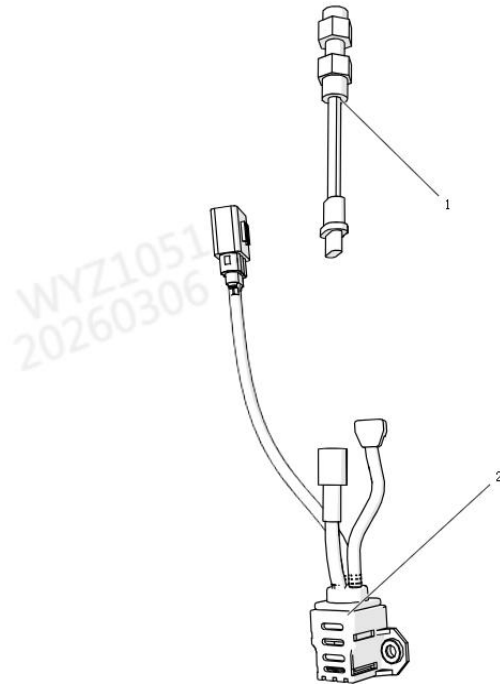
Reference number	Part Number	Part Name	quantity
1	06.11251.2005	Hexagon Nut With Flange/M7.112.40 M14*1.5-10-MAN183B1	1
1	06.11251.2005	Hexagon Nut With Flange/M7.112.40 M14*1.5-10-MAN183B1	3
2	190003559482	Ferrule Type T Joint	1
3	190003888466	Locking Nuts	1
4	81.90712.0983	Gasket	2
5	81.90713.0695	Gasket	1
6	81.96502.0867	Non-Asbestos Seal Ring	2
7	DZ1640820075	Cab Turnover Oil Cylinder	1
8	DZ93189777161	Ordinary Narrow Cable Tie	16
9	DZ93259820058	High-Pressure Hose/L/1300	1
10	DZ93259820061	Bracket	3
11	DZ93259820096	High-Pressure Hose//I/1100	1
12	DZ93259820550	Electric Oil Pump/RHD	1
13	DZ96259820135	High-Pressure Hose(M14)/L/980	1
14	DZ96259820150	High Pressure Hose/L/950	1
15	DZ96259820152	High Pressure Hose/L/2470	1
16	DZ96259820241	Motor Mounting Plate	1
17	DZ97259540018	Cushion Block	1
18	DZ97259820112	Turnover Sign/English	1
19	DZ97259820128	Oil Pump Motor Assembly	1
20	Q1811440TF3	Toothed Bolt With Hexagon Flange Face	3
21	Q1811450TF3	Toothed Bolt With Hexagon Flange Face	1
22	Q401B14	Flat Washer	1
23	SXQ146B0820T1F60L	Hexagon Head Bolt, Spring Washer And Plain Washer Assembly	2
24	SXQ146B1020T1F60	Hexagon Head Bolt, Spring Washer And Plain Washer Assembly	2
25	DZ97259820218	Clamp Assembly/Electric Button	1

Oil Pump Motor Assembly



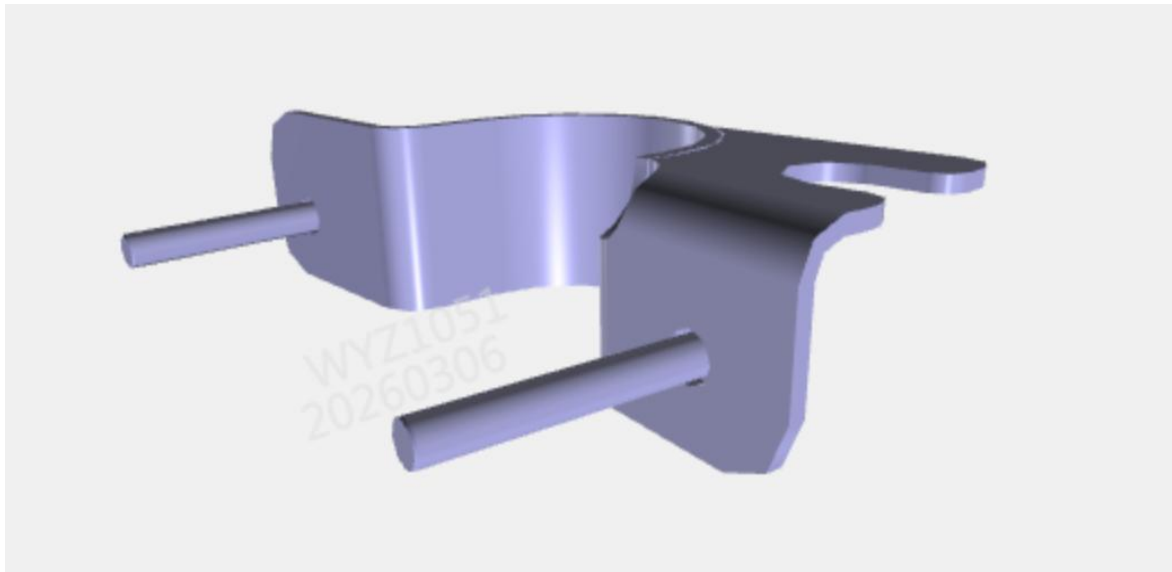
Reference number	Part Number	Part Name	quantity
	2020060-DZ97259820128	2020060/oil pump motor assembly	1

2020060/oil pump motor assembly



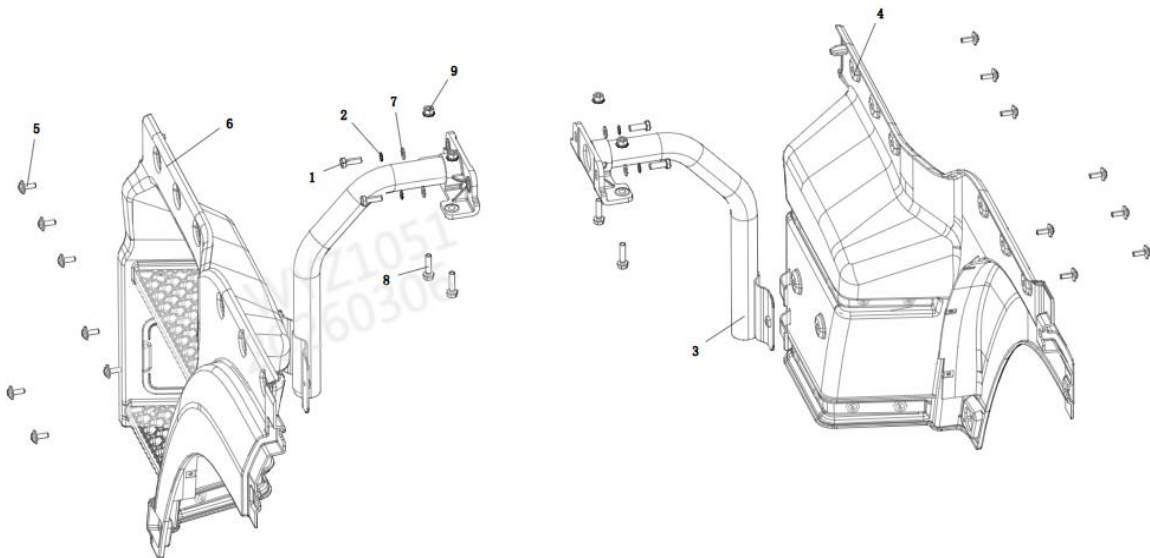
Reference number	Part Number	Part Name	quantity
	DZ97259820381	Oil pump motor relay (2020060)	1
	DZ97259820382	Oil pump motor switch (2020060)	1

Clamp Assembly/Electric Button



Reference number	Part Number	Part Name	quantity
	DZ97259820219	Circular Tube	1
	Q150B0640Q	Hexagon Head Bolt (Galvanized)	2

Get-on Pedal/Cab



Reference number	Part Number	Part Name	quantity
1	Q150B1030T1F3	Hexagon Head Bolt	4
2	Q40310	Spring Washer 190003931122	4
3	DZ14251240030	Pedal Bracket Welding Assembly For Cab	2
4	DZ14251245060	Right Upper Vehicle Pedal Assembly In The Driver'S Cab	1
5	SXQ230B0825F60L	Cross Slotted Screw And Washer Combination	16
6	DZ14251245050	Left Upper Vehicle Pedal Assembly In The Cab Section	1

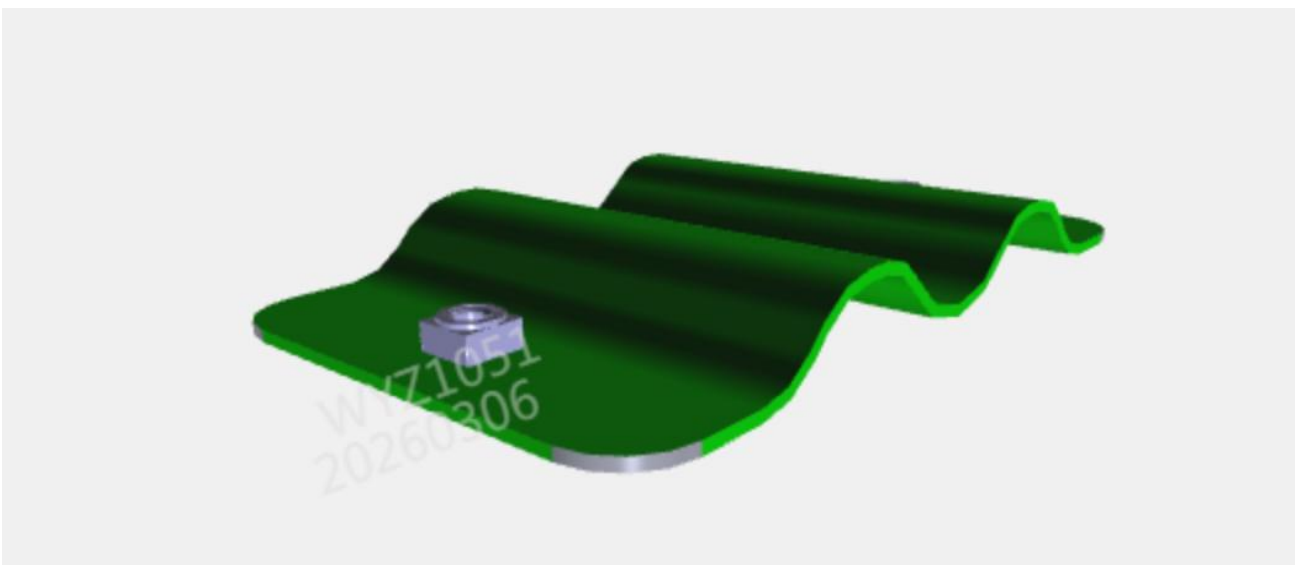
7	Q401B10	Flat Washer	4
8	Q140B1040T1F60	Hexagonal Head Bolt Flat Washer Combination	4
9	Q33010	All Metal Hexagonal Flange Locking Nut-Galvanized	4

Pedal Bracket Welding Assembly For Cab



Reference number	Part Number	Part Name	quantity
	DZ14251240031	Circular Tube	1
	DZ14251240032	Support (1)	1
	DZ14251240035	Bracket Assembly (Ii)	1

Bracket Assembly (Ii)



Reference number	Part Number	Part Name	quantity
	DZ14251240036	Bracket (2)	1

Q37108	Welding Square Nut	2
--------	--------------------	---

Right Upper Vehicle Pedal Assembly In The Driver'S Cab

Reference number	Part Number	Part Name	quantity
	DZ14251240017	Right Pedal Body Assembly	1
	DZ14251249901	Secondary Nylon Pedal	1
	DZ14251249902	Nylon Step	1
	06. 13189. 0108	Reed Nuts/ST4.8-5-MAN183-B1	3
	SXQ230B0825F60L	Cross Slotted Screw And Washer Combination	12

Right Pedal Body Assembly

Reference number	Part Number	Part Name	quantity
	DZ14251240015	Headlight Service Cover	1
	DZ14251240012	Right Pedal Of Cab	1

Left Upper Vehicle Pedal Assembly In The Cab Section

Reference number	Part Number	Part Name	quantity
	DZ14251240016	Left Pedal Body Assembly	1
	DZ14251249901	Secondary Nylon Pedal	1
	DZ14251249902	Nylon Step	1
	06. 13189. 0108	Reed Nuts/ST4.8-5-MAN183-B1	3
	SXQ230B0825F60L	Cross Slotted Screw And Washer Combination	12

Left Pedal Body Assembly

Reference number	Part Number	Part Name	quantity
	DZ14251240011	Left Pedal Of Cab	1
	DZ14251240015	Headlight Service Cover	1

Upper Pedal

Reference number	Part Number	Part Name	quantity
	DZ14251242050	First Step Assembly (Left)	1
	Q402B08F60	Large Washer*	4
	Q2140835F60	Cross Recessed Pan Head Screw	4
	DZ14251242060	First Step Assembly (Right)	1
	Q402B08F60	Large Washer*	4
	Q2140835F60	Cross Recessed Pan Head Screw	4

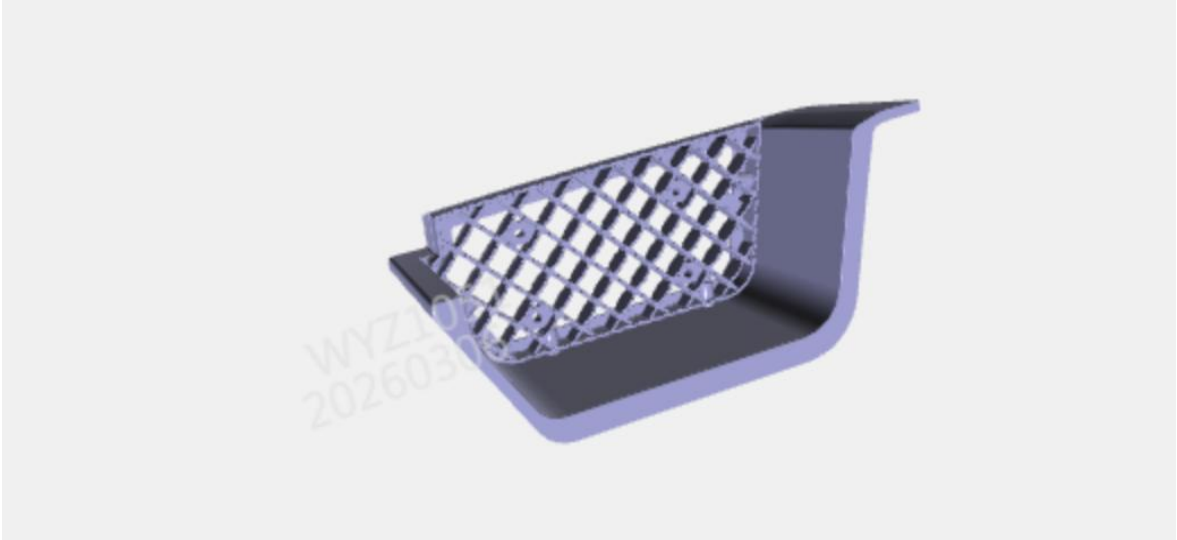
DZ14251241087	Step Right Bracket Welding Assembly	1
Q1811445TF3	Toothed Bolt With Hexagon Flange Face	4
06.11251.2005	Hexagon Nut With Flange/M7.112.40 M14*1.5-10-MAN183B1	4
DZ14251245017	Bumper Reinforcement Square Tube	1
Q402B08F60	Large Washer*	3
Q1840840T1F31	Hexagon Flange Bolt	3
DZ14251241260	Step Left Bracket Welding Assembly	1
Q1811445TF3	Toothed Bolt With Hexagon Flange Face	1
Q1811490TF3	Toothed Bolt With Hexagon Flange Face	1
190003888620	Self-Locking Nut	2
DZ14251244401	Step Left Bracket Welding Assembly	1
Q1811450TF3	Toothed Bolt With Hexagon Flange Face	1
SXQ1811495TF3	Toothed Bolt With Hexagon Flange Face	1
06.11251.2005	Hexagon Nut With Flange/M7.112.40 M14*1.5-10-MAN183B1	2
DZ14251241088	Step Left Bracket Welding Assembly	1
Q18112100TF3	Toothed Bolt With Hexagon Flange Face	4
Q1811270TF3	Toothed Bolt With Hexagon Flange Face	2
06.11251.2003	Hexagon Nut With Flange/M7.112.40 M14*1.5-10-MAN183B1	6
DZ14251245961	Front Bumper Bracket (Left)	1
Q1840825T1F31	Hexagon Flange Bolt	1

First Step Assembly (Left)



Reference number	Part Number	Part Name	quantity
	DZ14251240051	First Step Stair Plate (Left)	1
	DZ14251249903	First Step (Left)	1
	SXQ230B0825F60L	Cross Slotted Screw And Washer Combination	4

First Step Assembly (Right)

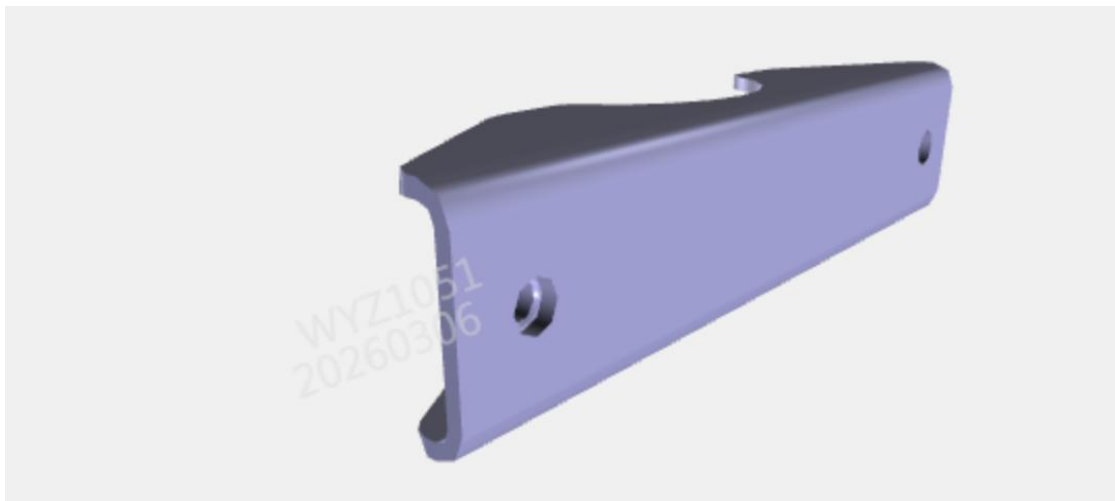


Reference number	Part Number	Part Name	quantity
	DZ14251240052	First Step Stair Plate (Right)	1
	DZ14251249904	First Step (Right)	1
	SXQ230B0825F60L	Cross Slotted Screw And Washer Combination	4

Step Right Bracket Welding Assembly

Reference number	Part Number	Part Name	quantity
	DZ14251241102	Round Tube Reinforcement Plate	1
	DZ14251241120	Bumper Reinforcement Bracket Assembly	1
	DZ14251242713	Left Step Round Tube	1
	DZ14251245011	Step Support Seat Assembly	1
	DZ15221240111	Fixed Base	1

Bumper Reinforcement Bracket Assembly



Reference number	Part Number	Part Name	quantity
------------------	-------------	-----------	----------

DZ14251241121
Q37108

Bumper Reinforcement Bracket
Welding Square Nut

1
2

Step Support Seat Assembly



Reference number	Part Number	Part Name	quantity
	DZ14251245013	Step Support Seat	1
	Q37108	Welding Square Nut	4

Step Left Bracket Welding Assembly



Reference number	Part Number	Part Name	quantity
	DZ13241240128	Front Support Bracket	1
	DZ14251241201	Right Step Square Tube 1	1
	DZ14251241203	Connecting Plate	1
	DZ14251241210	Washing Pot Bracket Assembly	1

DZ14251246127
DZ14251241261

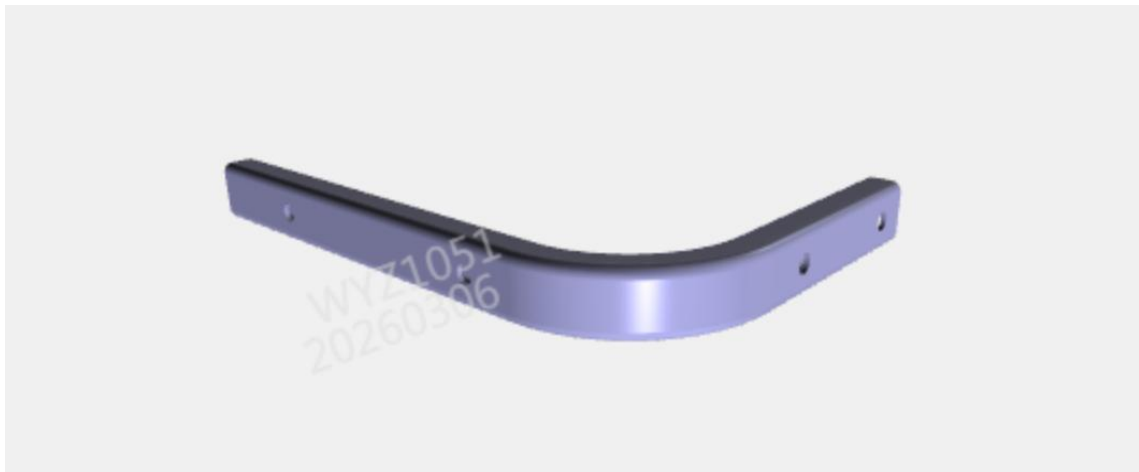
Right Wiring Harness Bracket Assembly1 1
Heating And Ventilation Pipe Bracket 1

Washing Pot Bracket Assembly



Reference number	Part Number	Part Name	quantity
	DZ14251241211	Washing Pot Bracket/1	1
	Q37108	Welding Square Nut	1

Right Wiring Harness Bracket Assembly1



Reference number	Part Number	Part Name	quantity
	DZ14251246128	Right Wiring Harness Bracket	1
	Q37108	Welding Square Nut	2

Heating And Ventilation Pipe Bracket Assembly

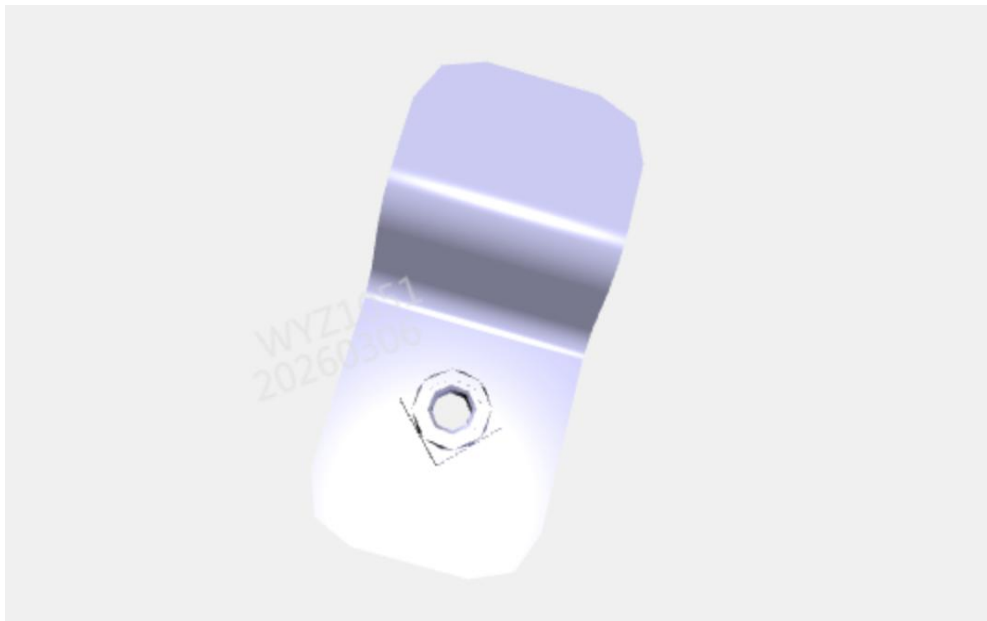
Reference number	Part Number	Part Name	quantity
------------------	-------------	-----------	----------

DZ14251241262	Heating And Ventilation Pipe Bracket	1
Q37106	Welding Square Nut	1

Step Left Bracket Welding Assembly

Reference number	Part Number	Part Name	quantity
	DZ14251241602	Right Step Circular Pipe Support	1
	DZ14251241203	Connecting Plate	2
	DZ14251243803	Right Step Circular Tube	1
	DZ14251245001	Washing Pot Bracket 3 Assembly	1
	DZ14251245111	Step Support Seat Assembly	1
	DZ14251245601	Right Step Square Tube (III)	1

Washing Pot Bracket 3 Assembly



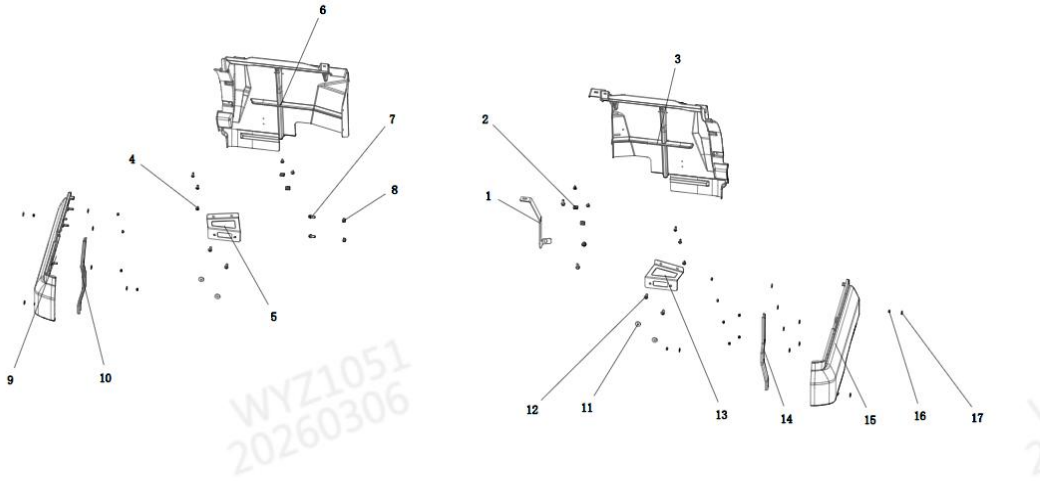
Reference number	Part Number	Part Name	quantity
	DZ14251245002	Washing Pot Bracket/3	1
	Q37108	Welding Square Nut	1

Step Support Seat Assembly



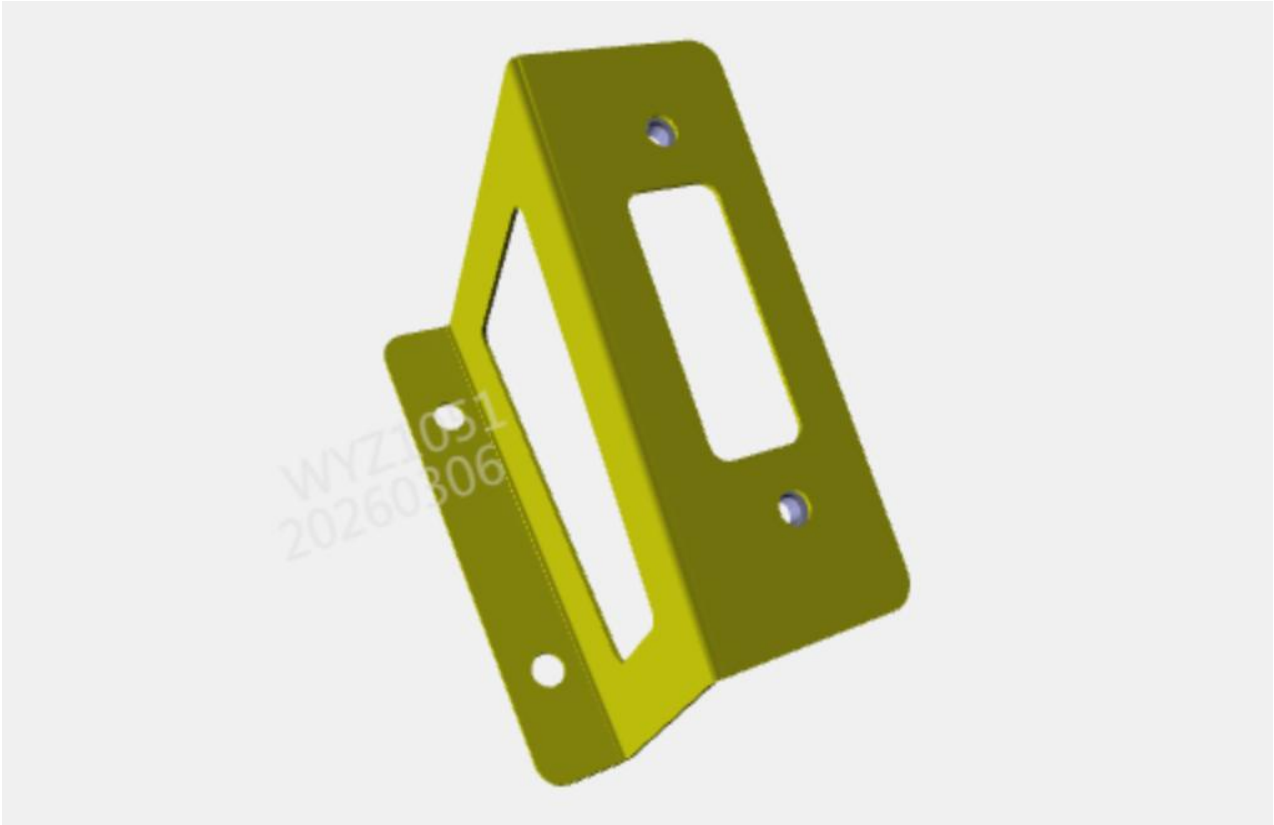
Reference number	Part Number	Part Name	quantity
	DZ14251245027	Pedal Support Seat (Right)	1
	Q37108	Welding Square Nut	4

Fender/Cab Part



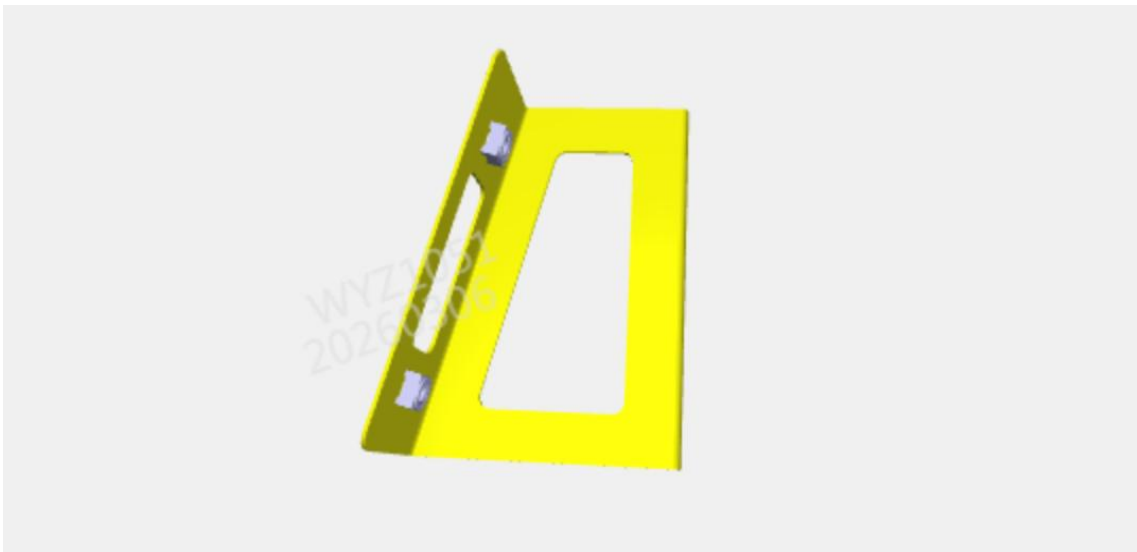
Reference number	Part Number	Part Name	quantity
1	DZ14251230101	Right Front Fender Bracket	1
2	06. 13189. 0108	Reed Nuts/ST4. 8-5-MAN183-B1	4
3	DZ14251230016	Right Front Fender	1
4	Q221B4816F60	Cross Recessed Pan Head Tapping Screw And Flat Washer Assembly	10
5	DZ14251239910	Left Front Fender Bracket Assembly	1
6	DZ14251230015	Left Front Fender	1
7	Q1840820T1F31	Hexagon Flange Bolt	4
8	Q33008T2F60	All Metal Hexagonal Flange Locking Nut	3
9	DZ14251230081	Left Front Fender/JN/Side Toolbox	1
10	DZ14251230083	Front Fender Fastening Bracket (Left)/J/N	1
11	Q402B08F60	Large Washer*	4
12	Q2140820F60	Cross Recessed Pan Head Screw	4
13	DZ14251239920	Front Right Fender Bracket Assembly	1
14	DZ14251230036	Front Fender Fastening Bracket (Right)/J/N	1
15	DZ14251230012	Right Front Fender/JN	1
16	Q340B06F60	Type 1 Hex Nut	15
17	Q402B06F60	Large Washer	15

Left Front Fender Bracket Assembly



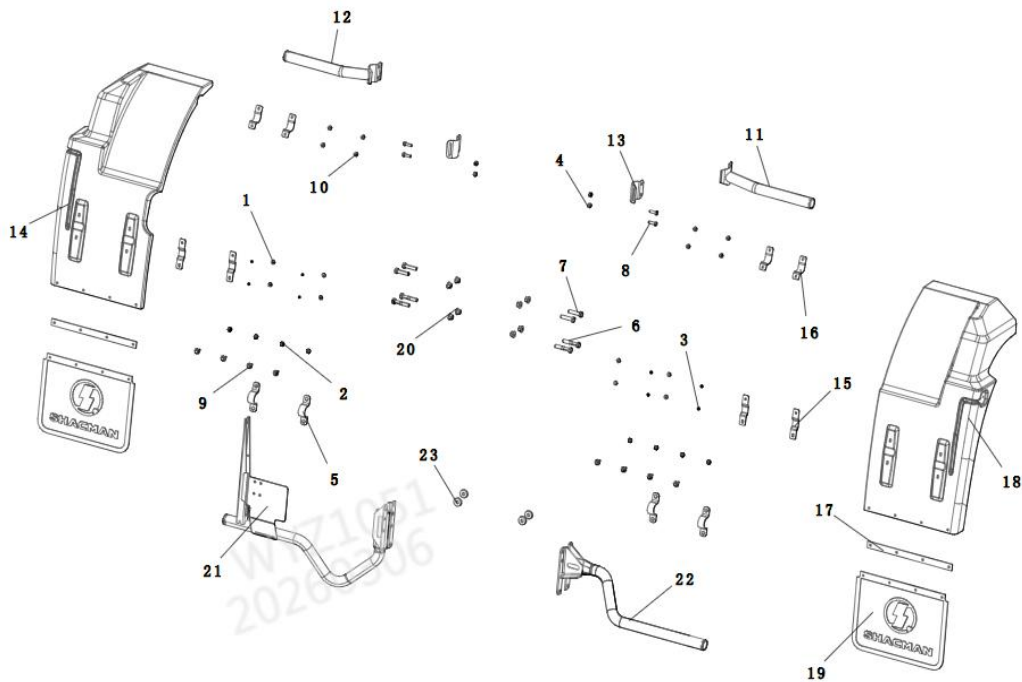
Reference number	Part Number	Part Name	quantity
	DZ14251239901	Left Front Fender Bracket	1
	Q37108	Welding Square Nut	2

Front Right Fender Bracket Assembly



Reference number	Part Number	Part Name	quantity
	DZ14251239902	Right Front Fender Bracket	1
	Q37108	Welding Square Nut	2

Fender/Chassis Part



Reference number	Part Number	Part Name	quantity
1	Q402B06F60	Large Washer	8
2	Q33008T2F60	All Metal Hexagonal Flange Locking Nut	8
3	Q340B06F60	Type 1 Hex Nut	8
4	Q33210T2F3	2 Type All Metal Hexagonal Lock Nut	4
5	DZ14251230066	Clamp Assembly	4
6	Q151B1470T1F3	Hexagon Head Bolt- Fine Thread	4
7	Q151B1455T1F3	Hexagon Head Bolt- Fine Thread	4
8	Q150B1030T1F3	Hexagon Head Bolt	4
9	Q140B0825T1F60L	Hexagonal Head Bolt Flat Washer Combination	8
10	Q140B0620T1F60L	Hexagonal Head Bolt Flat Washer Combination	8
11	DZ14251230040	Right Front Bracket Assembly	1
12	DZ14251230030	Left Front Bracket Assy	1
13	DZ1640230213	Clamping Piece	2
14	DZ14251230033	Left Rear Fender	1
15	DZ14251230068	Internal Compression Tablet	4
16	DZ14251230056	Clip	4
17	DZ14251230024	Mud Curtain Fixing Bracket (1)	2
18	DZ14251230022	Right Rear Fender	1
19	DZ13241230101	Mud Guard/SHACMAN	2
20	06. 11251. 2005	Hexagon Nut With Flange/M7. 112. 40 M14*1. 5-10-MAN183B1	8
21	DZ14251231350	Left Rear Fender Bracket	1
22	DZ13241231890	Right Rear Fender Bracket	1
23	DZ93319521208	Cushion Block	4

Clamp Assembly



Reference number	Part Number	Part Name	quantity
	DZ14251230067	Circular Tube	1
	Q1980625	Face Projection Welding Bolt	2

Right Front Bracket Assembly

Reference number	Part Number	Part Name	quantity
	DZ14251230031	Left Front Bracket	1
	DZ1640230214	Clamping Piece	1
	81.96002.0416	Blind Cover	1

Left Front Bracket Assy

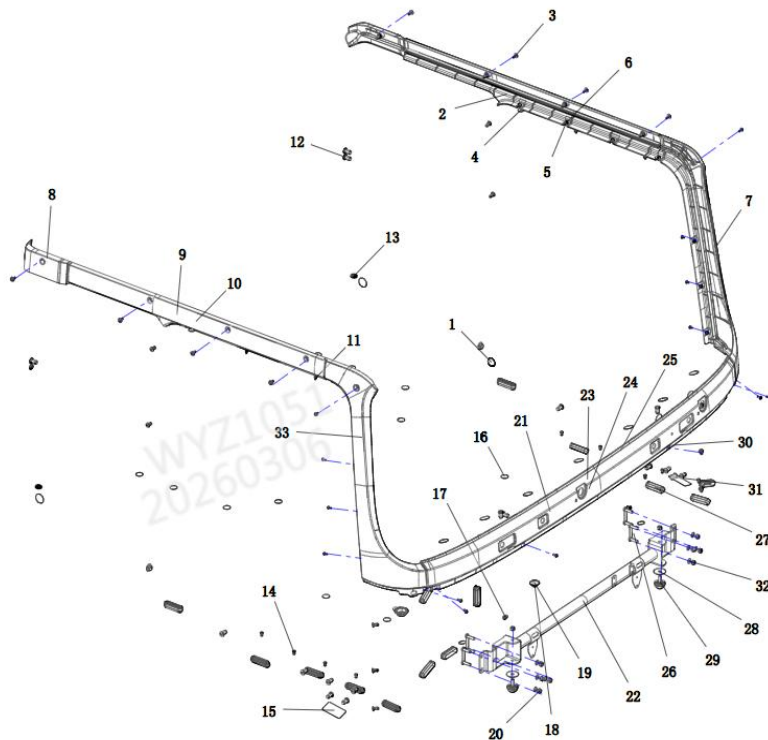


Reference number	Part Number	Part Name	quantity
	DZ14251230031	Left Front Bracket	1

DZ1640230214
81.96002.0416

Clamping Piece 1
Blind Cover 1

Assembly Parts



Reference number	Part Number	Part Name	quantity
1	DZ14251970050	Door Inner Panel Blocking Φ 35	6
2	DZ14251971011	Left Side Panel Decorative Plate/J	1
3	Q230B0620F60	Cross Slotted Screw And Washer Combination	4
3	Q230B0620F60	Cross Slotted Screw And Washer Combination	4
4	DZ14251970023	PVC Blockage Φ 25	2
5	DZ14251970009	Plastic Clip	14
6	Q221B4216F60	Cross Recessed Pan Head Tapping Screw And Flat Washer Assembly	3
6	Q221B4216F60	Cross Recessed Pan Head Tapping Screw And Flat Washer Assembly	3
6	Q221B4216F60	Cross Recessed Pan Head Tapping Screw And Flat Washer Assembly	4
6	Q221B4216F60	Cross Recessed Pan Head Tapping Screw And Flat Washer Assembly	4
7	DZ14251110561	Left A-Pillar Trim Panel Assembly/JD/19	1
8	06.13169.0010	Hexagon Rivet Nut/M6X21,8-ST	18
9	DZ14251971012	Right Side Wall Decorative Panel/J	1
10	DZ14251970045	Upper Sealing Strip	2
11	81.96002.0142	Plug/8.3*11-13-PE-SW	4
12	DZ14251970035	Blanking Cap/ ϕ 11	4
13	DZ14251970025	Blanking Cap	2
14	06.13169.0012	Riveted Nut/AM6*13-QST36.6-A3A	12
15	DZ14251970028	Cloth Base Blocking Tape 50×90	2
16	DZ14251970051	Blocking Sticker Φ Thirty	4
16	DZ14251970051	Blocking Sticker Φ Thirty	12
17	06.13169.0013	Riveted Nut/M8*15.5-ST	2
18	81.96002.0154	Plug	4

19	DZ14251970026	Butyl Adhesive Blocking Tape	2
20	Q33210T2F3	2 Type All Metal Hexagonal Lock Nut	8
20	Q33210T2F3	2 Type All Metal Hexagonal Lock Nut	2
21	81.96002.0308	Plug/B38-PVC-PAL9011	2
22	DZ13241970006	Cross Beam Assembly/Height Valve	1
23	DZ14251111553	Wiper Cover Trim Panel/X5000/RHD	1
24	DZ14251970018	Front Windshield Lower Trim Panel Seal Strip	1
25	DZ14251970027	Cloth Base Blocking Tape Φ Forty	18
26	81.97487.5027	Connecting Plate	4
27	81.96410.0502	Long Blockage	19
28	81.90714.0349	Shim 11 * 50 * 15-Alcumgpb37	2
29	DZ15221433015	Spacing Block	2
30	Q230B0616F60	Cross Slotted Screw And Washer Combination	5
30	Q230B0616F60	Cross Slotted Screw And Washer Combination	2
30	Q230B0616F60	Cross Slotted Screw And Washer Combination	2
31	06.13169.0011	Riveted Nut/AM8*28.7-ST/PUR-A3R	18
32	Q401B10	Flat Washer	8
33	DZ14251110562	Right A-Pillar Trim Panel Assembly	1

Left A-Pillar Trim Panel Assembly/JD/19 Model



Reference number	Part Number	Part Name	quantity
	DZ14251110563	Left A-Pillar Trim Panel	1
	DZ14251110557	Left A-Pillar Sealant Strip	1

Cross Beam Assembly/Height Valve

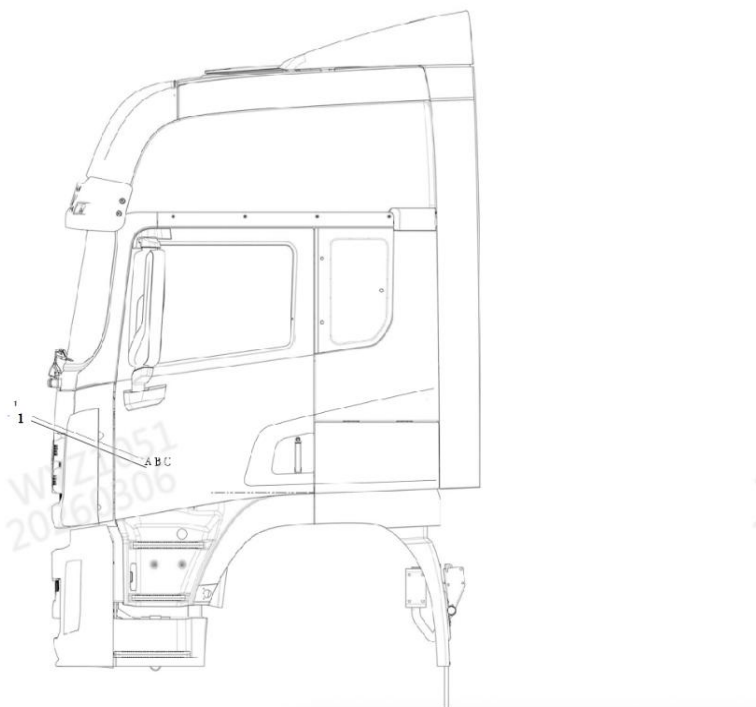
Reference number	Part Number	Part Name	quantity
	81.62821.2238	Support Tube	1
	81.62821.2239	Angle Plate	2
	81.97488.2759	2-Hole Connecting Plate	3
	DZ14251430116	Height Valve Bracket/Front	1
	SZ197000002	Bracket	1

Right A-Pillar Trim Panel Assembly



Reference number	Part Number	Part Name	quantity
	DZ14251110564	Right A-Pillar Trim Panel	1
	DZ14251110557	Left A-Pillar Sealant Strip	1

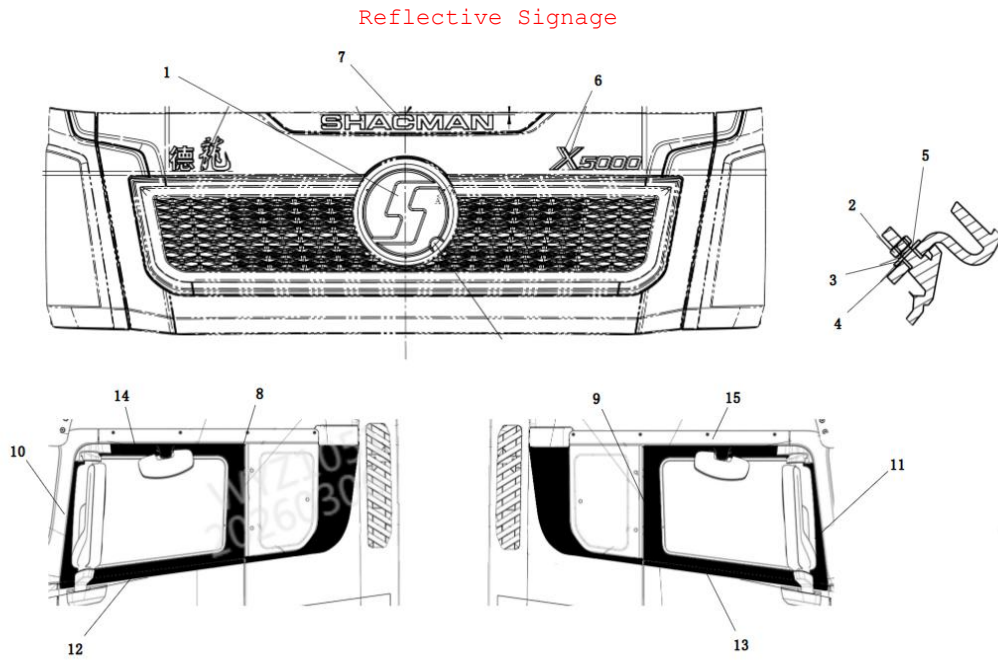
Vehicle Type Letter



Reference number	Part Number	Part Name	quantity
1	DZ11241930400	Vehicle Type Letter 400	2

Vehicle Type Letter 400

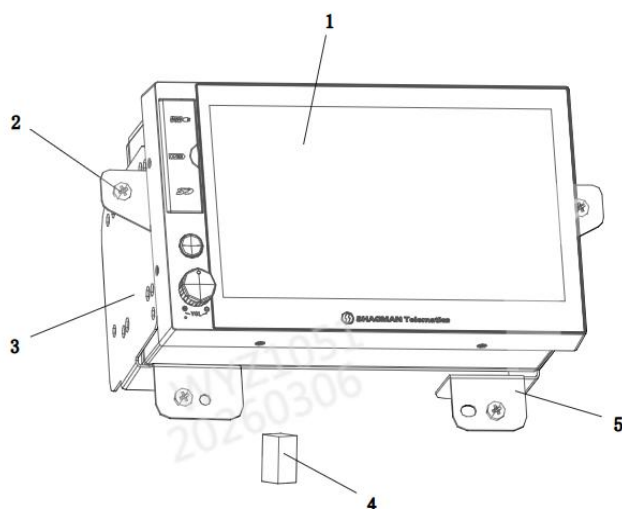
Reference number	Part Number	Part Name	quantity
	DZ1600930054	Vehicle Type Letter/4	1
	DZ1600930049	Vehicle Type Letter/0	2



Reference number	Part Number	Part Name	quantity
1	DZ14251950093	Shacman Logo	1
2	Q340B05	Type 1 Hex Nut	3
3	Q402B05	Large Washer (Galvanized)	3
4	Q40305	Spring Washer	3
5	DZ93189777170	Sheet Metal Buckle Tie	2
6	DZ14251952002	X5000 Label	1
7	DZ13241930234	Shacman Lable	1
8	DZ14251950055	X3000 Window Frame Color Coating Film Version Left Side Rear Pillar	1
9	DZ14251950056	X3000 Window Frame Color Coating Film Version Right Side Rear Pillar	1
10	DZ14251950057	X3000 Window Frame Color Coating Film Version Left Front Pillar	1
11	DZ14251950058	X3000 Window Frame Color Coating Film Version Right Front Pillar	1
12	DZ14251950061	X3000 Window Frame Color Coating Film Version Left Lower- Upper	1
13	DZ14251950062	X3000 Window Frame Color Coating Film Version Right Lower- Upper	1
14	DZ14251950067	X3000 Window Frame Color Coating Film Version Left Upper (RH)	1

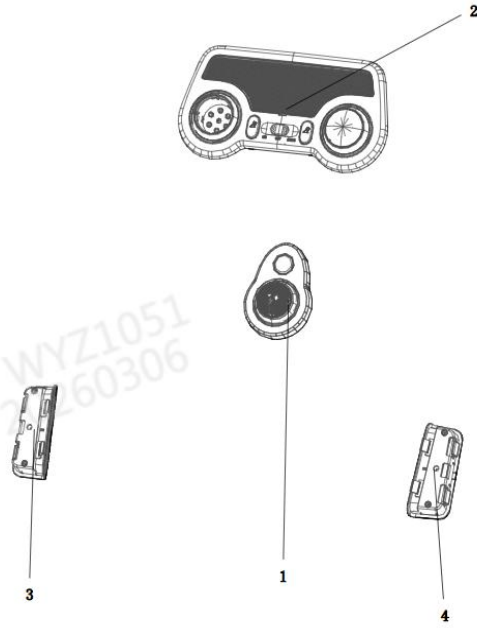
Body Electrical

Electronic Display Screen Appliances



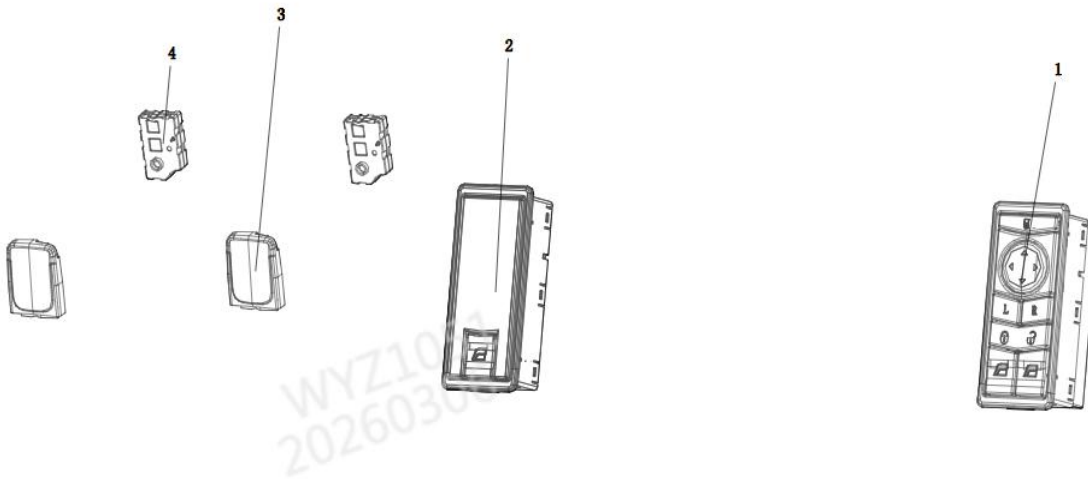
Reference number	Part Number	Part Name	quantity
1	DZ97189700209	Vehicle Display Screen(Embedded Software	1
2	Q2734213	Cross Recessed Large Half Round Head Tapping Screws	4
3	DZ97189700517	Left Bracket For Display Screen (X3000 RHD)	1
4	DZ95189586577	Signal Transfer Wire Harness	1
5	DZ97189700518	Display Screen Right Bracket (X3000 RHD)	1

Sleeper Lamp Electrical



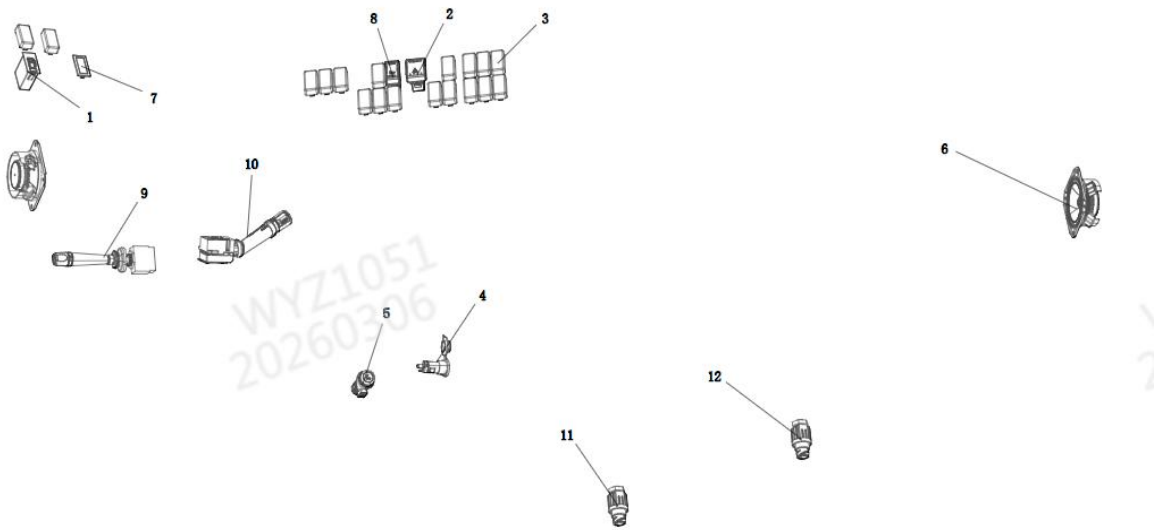
Reference number	Part Number	Part Name	quantity
1	DZ97189721370	Sleeper Lamp	2
2	DZ97189721360	Reading Light	1
3	DZ97189721310	Left Step Lamp	1
4	DZ97189721320	Right Step Lamp	1

Cab Electrical Accessories



Reference number	Part Number	Part Name	quantity
1	DZ97189585121	Main Door Controller (Full Function, RHD)	1
2	DZ97189585120	Right Door Control Unit	1
3	DZ97189585118	Central Control Key - Remote Control Part Cover	2
4	DZ97189585117	Central Control Key - Remote Control Section	2

Cab Basic Electrical Appliances



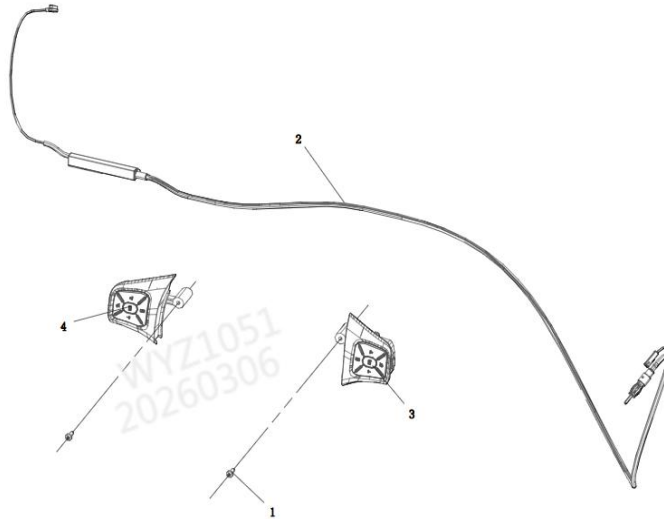
Reference number	Part Number	Part Name	quantity
	Q2714213	Cross Recessed Countersunk Head Screw	8
1	DZ97189584712	Dashboard Illumination Brightness Adjustment Switch	1
2	DZ97189584713	Emergency Alarm Switch	1
4	DZ97189586620	Vehicle Power Socket/24V	1
5	DZ97189586616	Cigarette Lighter Assembly (24V)	1
6	DZ97189586120	Bass Speaker	2
7	DZ97189584767	Rocker Switch Hole Blanking Cap	1
8	DZ97189584715	Horn Transfer Switch	1
9	DZ97189584670	Combination Switch (Menu Control)	1
10	DZ97189584643	Combination Switch (Jacbo)	1
11	DZ9100586212	Proximity Switch (High Potential, Normally Open)	1
12	DZ93189582550	Brake Switch	1

Cigarette Lighter Assembly (24V)



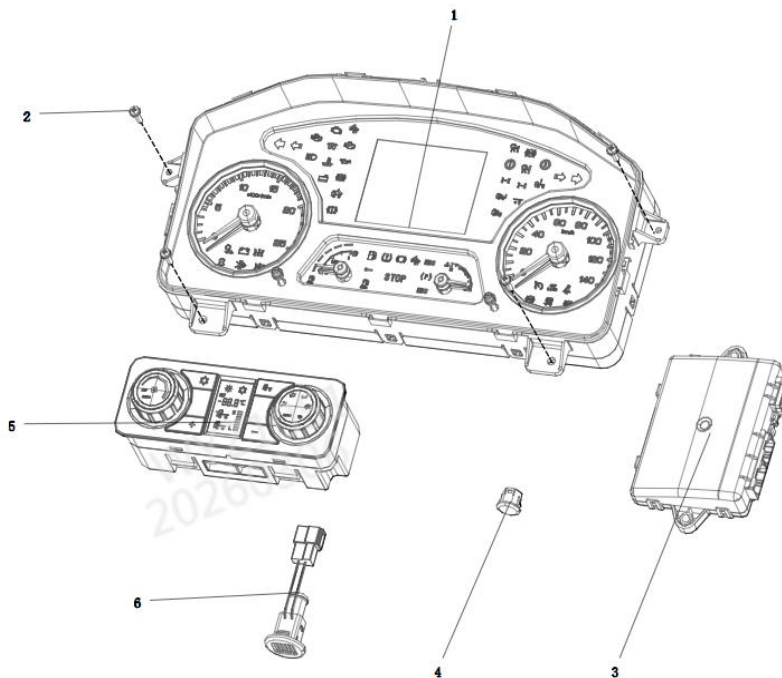
Reference number	Part Number	Part Name	quantity
	DZ97189586612	Cigarette Lighter (24V)	1
	DZ97189586613	Cigarette Lighter Holder	1
	DZ97189586614	Cigarette Lighter Light Ring (24V)	1

Cab Electrical Appliances



Reference number	Part Number	Part Name	quantity
	DZ97189584662	Steering Wheel Button	1
	Q2714213	Cross Recessed Countersunk Head Screw	1
	DZ97189584661	Steering Wheel Buttons/Multi-media	1
	Q2714213	Cross Recessed Countersunk Head Screw	1
	DZ97189586150	Antenna Amplifier	1

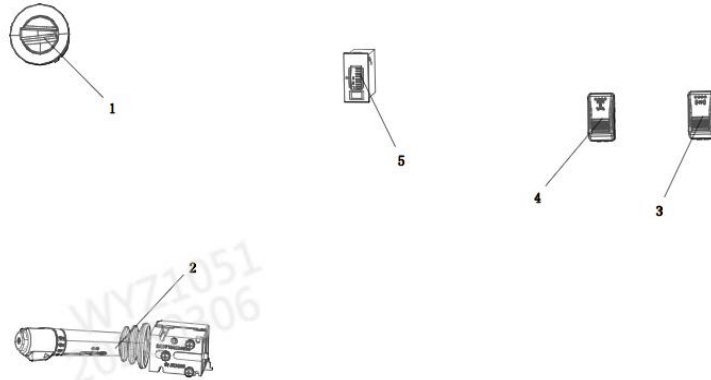
Cab Communication Architecture



Reference number	Part Number	Part Name	quantity
------------------	-------------	-----------	----------

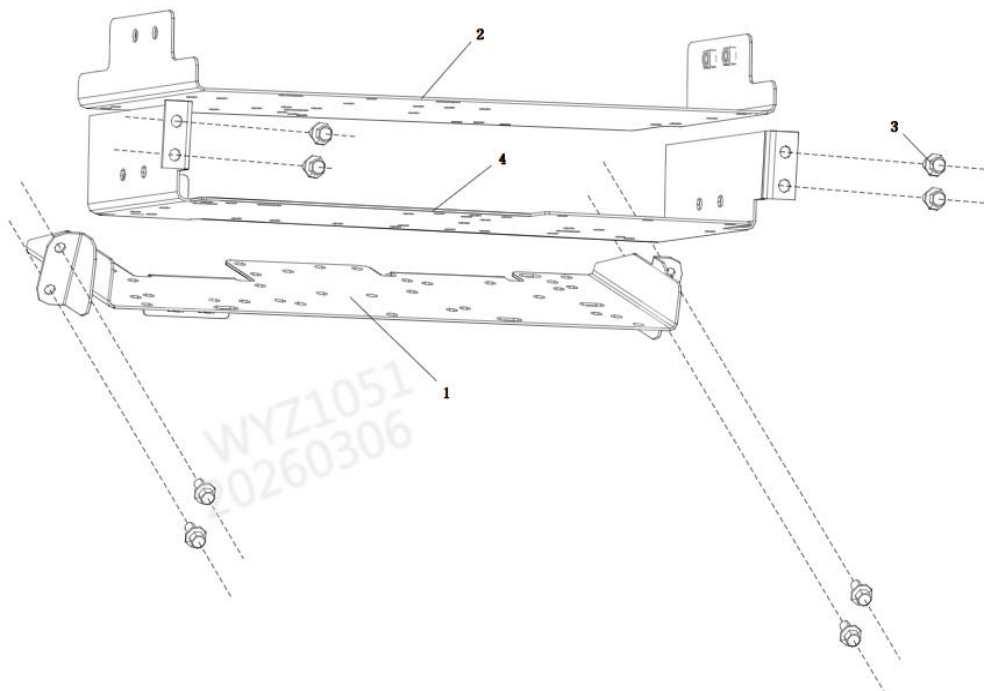
1	DZ97189584116	Combination Instrument/5 Inch TFT	1
2	Q2204219	Cross Recessed Pan Head Tapping Screw And Flat Washer Assembly	4
3	DZ97189585156	Window Controller (LED+LED+Semi LED)	1
4	DZ15221841233	Sunlight Sensor Blanking Cap	1
5	DZ97189585312	Automatic A/C Controller	1
6	DZ97189585732	Indoor Temperature Sensor	1

Light Combination Switch



Reference number	Part Number	Part Name	quantity
1	DZ97189584680	Light Control Master Switch	1
2	DZ97189584630	Combination Switch	1
3	DZ97189584716	Inter-Wheel Differential Lock Switch	1
4	DZ97189584717	Inter Axle Differential Lock Switch	1
5	DZ97189584711	Headlamp (Low Beam) Height Adjustment Switch	1

Work Light/Electric Flip/Controller Bracket



Reference number	Part Number	Part Name	quantity
------------------	-------------	-----------	----------

1	DZ97189585627	Three Layers Of Controller Mounting Brackets	1
2	DZ97189585625	One Layer Of Controller Mounting Bracket	1
3	Q1840612T1F31	Hexagon Flange Bolt	4
3	Q1840612T1F31	Hexagon Flange Bolt	4
4	DZ97189585626	The Controller Mounting Bracket Is On The Second Floor	1

Three Layers Of Controller Mounting Brackets



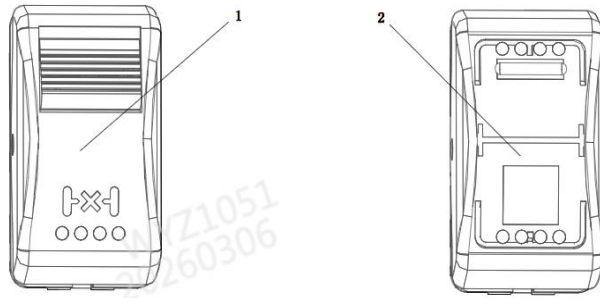
Reference number	Part Number	Part Name	quantity
	DZ97189585629	Controller Bracket Three-Layer Mounting	1
	DZ97189585615	Left Bracket	1
	DZ97189585614	Right Bracket	1
	Q37106	Welding Square Nut	2

One Layer Of Controller Mounting Bracket



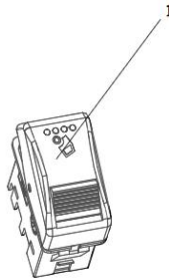
Reference number	Part Number	Part Name	quantity
	DZ97189585630	Controller Bracket One Layer Mounting Plate	1
	Q37106	Welding Square Nut	4

Cab Electrical Appliances



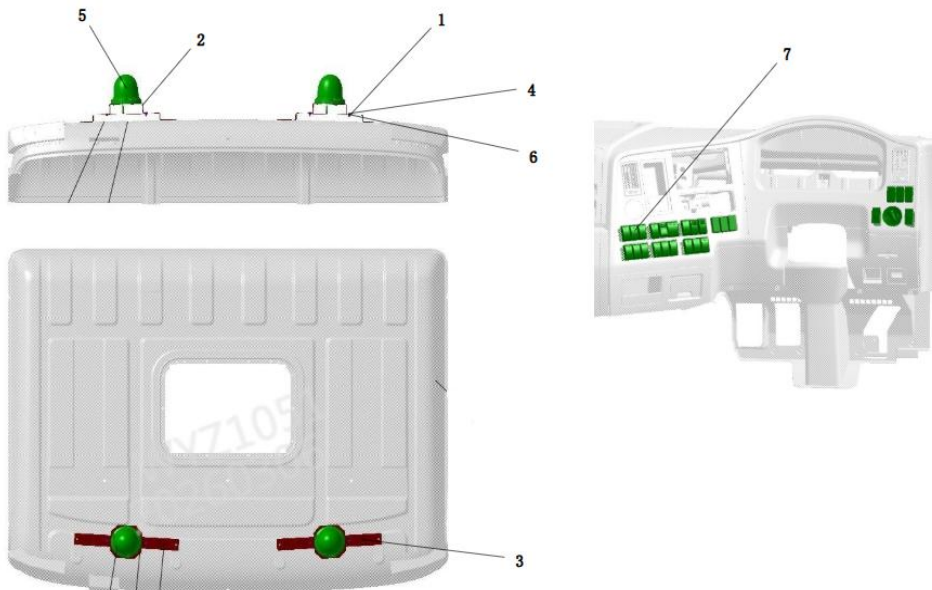
Reference number	Part Number	Part Name	quantity
1	DZ97189584727	PTO Switch	1
2	DZ97189584728	PTO Work Selector Switch.	1

Cab Electrical Appliances



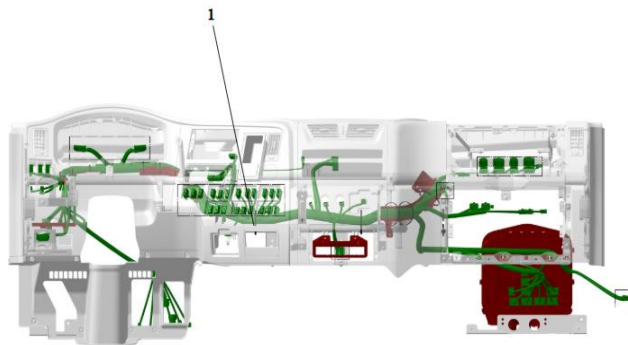
Reference number	Part Number	Part Name	quantity
1	DZ97189584745	Electric Switch/Cab Turnover	1

Cab electrical appliances



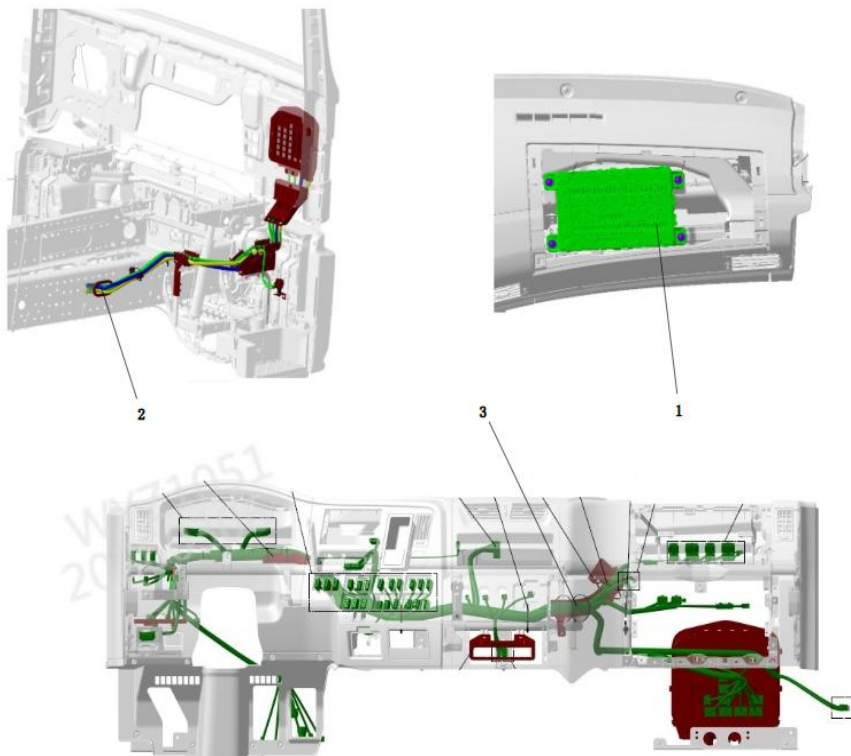
Reference number	Part Number	Part Name	quantity
1	Q150B0616	Bolt	4
2	DZ95189581577	Warning Light Mounting Bracket	2
3	DZ97189581577	Warning Light Mounting Bracket	2
4	Q340B06F60	Type 1 Hex Nut	4
5	DZ95189721375	Warning Light (LED)	2
6	Q401B06	Flat Washer	4
7	DZ97189584740	Warning Light Switch	1

Daytime Running Light Accessory Harness



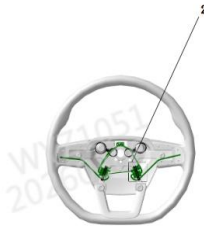
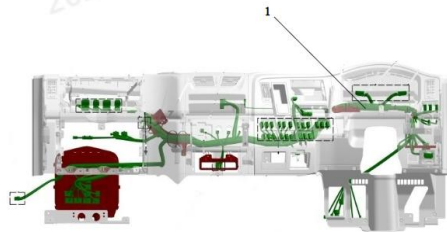
Reference number	Part Number	Part Name	quantity
1	DZ97189776065	Headlight Dashboard Additional Harness (BCM/RHD)	1

Electric Flipper 75



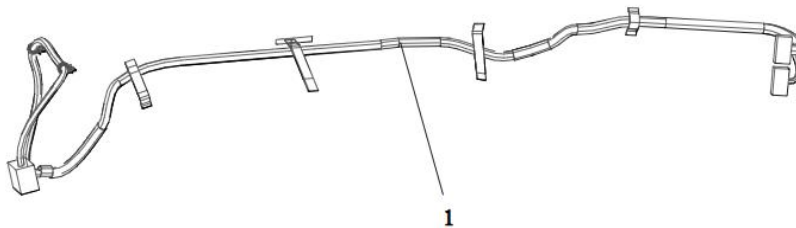
Reference number	Part Number	Part Name	quantity
1	DZ97189584369	Fuse (40A).	1
2	DZ97189779084	New Electric Flip Chassis Harness (Mounted On Fender/Firewall)	1
3	DZ97189776924	Electric Flip Instrument Panel Sub Assembly Harness	1

Multifunction Steering Wheel Electrical Appliances 75



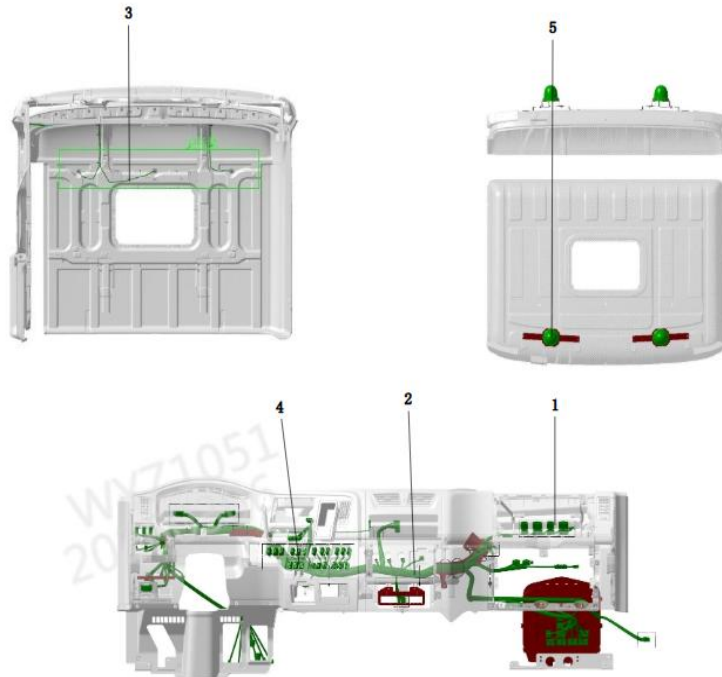
Reference number	Part Number	Part Name	quantity
1	DZ97189776026	Multifunction Steering Wheel Instrument Panel Wiring Harness Assembly	1
2	DZ97189776025	Multifunction Steering Wheel Wiring Harness	1

Electrical/Additional Wiring Harness/X3F/BCM/Multimedia Display Screen



Reference number	Part Number	Part Name	quantity
1	DZ97189776258	Vehicle Screen Power/Speaker Wiring Harness	1

Electrical Appliances Additional Harness



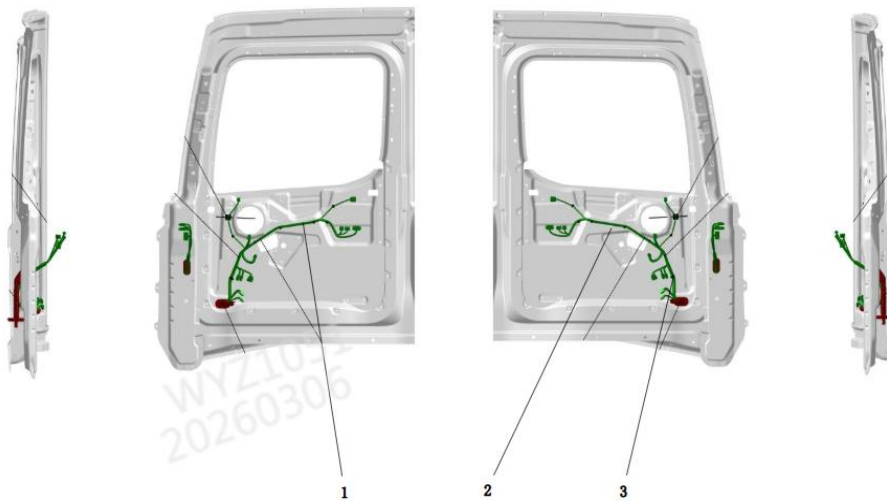
Reference number	Part Number	Part Name	quantity
	DZ97189772854	Warning Light Canopy Line (High Ceiling/Dual Light/High Brightness/Led).//	1
	81.97470.0083	Plastic Fastening Belt	1
	DZ97189776081	Emergency Alarm Light Dashboard Harness/BCM	1
	DZ97189584362	Fuse/5A	1
	DZ96259774428	Warning Light Adapter Harness	2

Electrical Appliances Additional Harness

Reference number	Part Number	Part Name	quantity
	DZ97189776975	PTO Instrument Panel Harness	1
	DZ97189776991	QH50 PTO Chassis Wire Harness	1

Wiring Harness And Additional Electrical

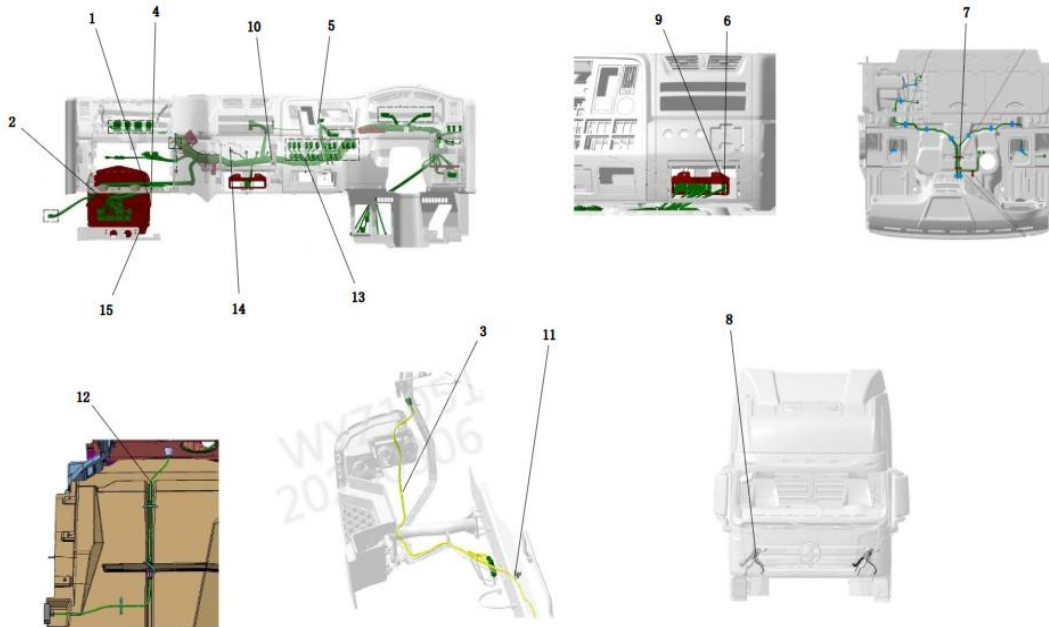
Door Harness



Reference number	Part Number	Part Name	quantity
------------------	-------------	-----------	----------

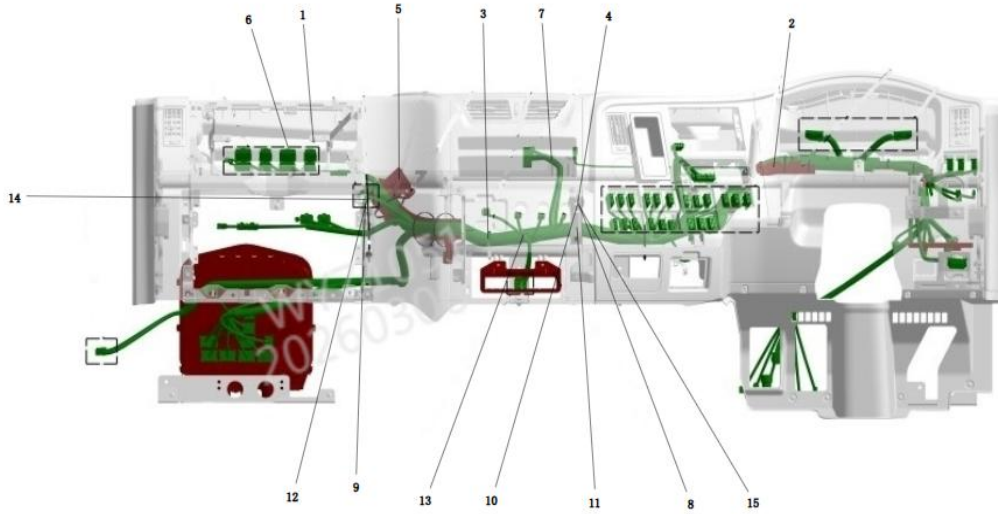
1	DZ97189772729	Passenger Door Harness	1
2	DZ97189772719	Driver's Door Harness	1
3	DZ97189777036	Fastening Strap	4

Cab Basic Wiring Harness



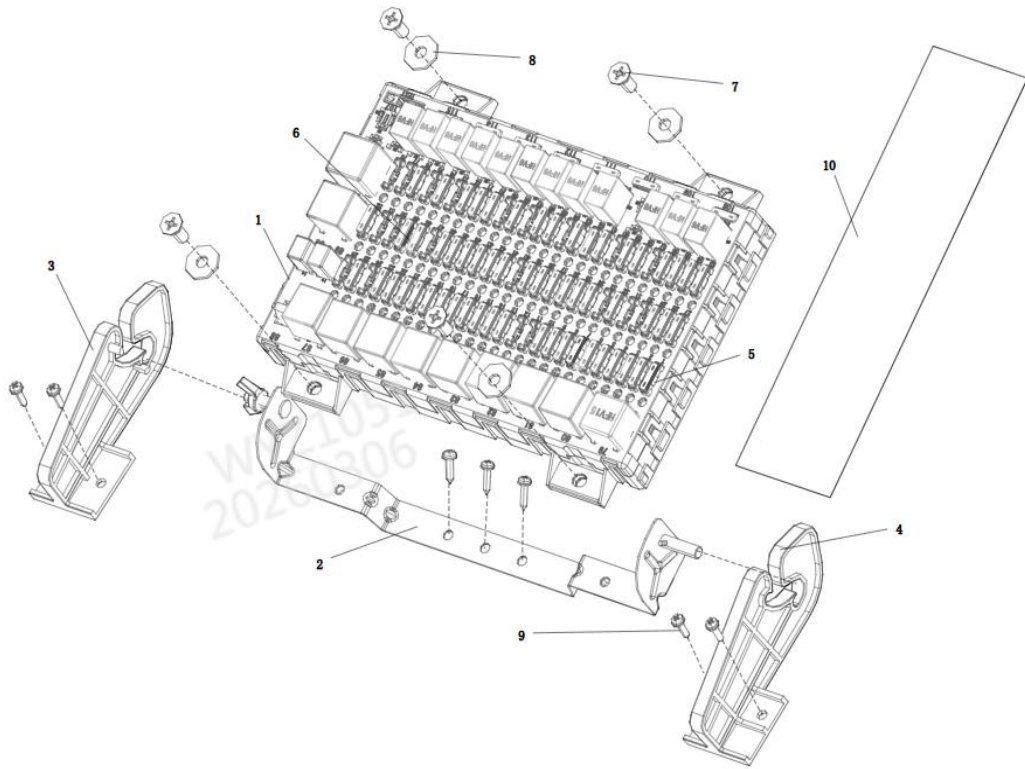
Reference number	Part Number	Part Name	quantity
1	Q1840835T1F31	Hexagon Flange Bolt	8
2	DZ97189777099	Front Wall Firewall Assembly	1
3	DZ97189773313	Left front wiring harness	1
4	Q40308F60	Spring Washer*	8
5	81. 25417. 6443	Wiper Motor Wire Harness/Rh	1
6	DZ97189777013	Floor Wiring Harness Joint Bracket	1
7	DZ97189777016	Floor Wiring Harness Fixed Bracket	1
8	DZ97189773245	Right Front Side Wiring Harness	1
9	Q1840616T1F31	Hexagon Flange Bolt	2
10	DZ97189777050	Wire Harness Guide Slot--X3000/X5000 Front Wall/Right Side	1
11	1-99-974-237	Angle Bracket	1
11	1-99-974-237	Angle Bracket	1
12	DZ97189772783	Side Turn Signal Floor Harness (LED)	1
13	DZ93189777033	Fastener With Spacer Ring (7.6 * 375)	2
14	DZ97189777067	Rubber Plug (50mm)	1
15	Q401B08	Flat Washer	8

Instrument Panel Wiring Harness



Reference number	Part Number	Part Name	quantity
1	DZ97189584362	Fuse/5A	1
2	DZ97189777011	Instrument Panel Wiring Harness Fixing	1
3	DZ93189777165	Harness Bracket	3
4	Q401B06	Flat Washer	1
5	DZ97189777012	Instrument Panel Wiring Harness Fixing	1
6	DZ97189584364	Fuse/10A	1
7	DZ97189777219	Threading sheath/ $\Phi 30$	1
8	Q1840612T1F31	Hexagon Flange Bolt	2
8	Q1840612T1F31	Hexagon Flange Bolt	2
9	Q150B0616	Bolt	4
9	Q150B0616	Bolt	1
10	Q340B06F60	Type 1 Hex Nut	1
11	DZ97189777031	Fixed Clamp	1
12	Q41206	External Teeth Serrated Lock Washer	4
13	DZ97189772191	Instrument panel harness assembly	1
14	81.97488.0214	Two Hole Connecting Piece (Grounding)	2
15	Q40306F60	Spring Washer*	1

Electrical Installation



Reference number	Part Number	Part Name	quantity
	DZ97189580116	Central Electrical Device Board Signboard (Wp/BCM/English)	1
1	DZ97189584380	Central Electrical Device Board (Wp/BCM)	1
2	DZ97189584310	Central Electrical Device Board Wiring Harness Fixing Bracket Assembly	1
3	DZ97189584320	Central Electrical Device Board Flip Bracket (Left)	1
4	DZ97189584330	Central Electrical Device Board Flip Bracket (Right)	1
5	DZ97189584365	Fuse/15A	2
6	DZ97189584362	Fuse/5A	1
7	Q2540820	Cross Recessed Countersunk Head Screw 190003825420	4
8	Q402B08	Large Washer (Galvanized)	4
9	Q2204219	Cross Recessed Pan Head Tapping Screw And Flat Washer Assembly	4
9	Q2204219	Cross Recessed Pan Head Tapping Screw And Flat Washer Assembly	4
10	DZ93189580151	Warning Instruction Board Of Central Electrical Device Board/HX	1

Central Electrical Device Board (Wp/BCM)

Reference number	Part Number	Part Name	quantity
	81.25927.0107	Diode	2
	81.66818.0002	Fuse Puller	1
	DZ97189584361	Central Electrical Device Board (BCM)	1

DZ97189584362	Fuse/5A	27
DZ97189584363	Fuse (7.5A).	6
DZ97189584364	Fuse/10A	19
DZ97189584365	Fuse/15A	7
DZ97189584366	Fuse/20A	3
DZ97189584368	Fuse/30A	2
DZ97189584371	Relay (20A/MINI)	12
DZ97189584372	Relays (10A×2).	4
DZ97189584373	Relay (20A)	5
DZ97189584374	Relay (40A/)	1
DZ97189584377	Diode Bank	1
Q340B06	Type 1 Hex Nut	1
Q340B08T2F3	Type 1 Hex Nut	2
Q401B06	Flat Washer	1
Q401B08	Flat Washer	2
Q40306	Spring Washer	1
Q40308	Spring Washer 190003931102	2

Roof Wiring Harness

Reference number	Part Number	Part Name	quantity
	DZ97189772865	Sunshade Harness	1
	DZ97189772754	Left Ceiling Harness (Flat Roof/Tweeter)	1
	DZ97189772763	Right Canopy Harness (Flat Roof/Tweeter)	1
	DZ93189777161	Ordinary Narrow Cable Tie	4
	04.39535.9011	Protective Strip 9/13.7 * 17-St	0.22
	04.39535.9011	Protective Strip 9/13.7 * 17-St	0.16
	04.39535.9011	Protective Strip 9/13.7 * 17-St	0.22
	04.39535.9011	Protective Strip 9/13.7 * 17-St	0.16

Sunshade Harness

Reference number	Part Number	Part Name	quantity
	DZ97189777211	Rubber Threading Sheath/Φ21/Φ10	1

Transmission Module Wiring Harness

Reference number	Part Number	Part Name	quantity
1	DZ97259778819	Transmission Module Wiring Harness	1

Frame Harness Accessories

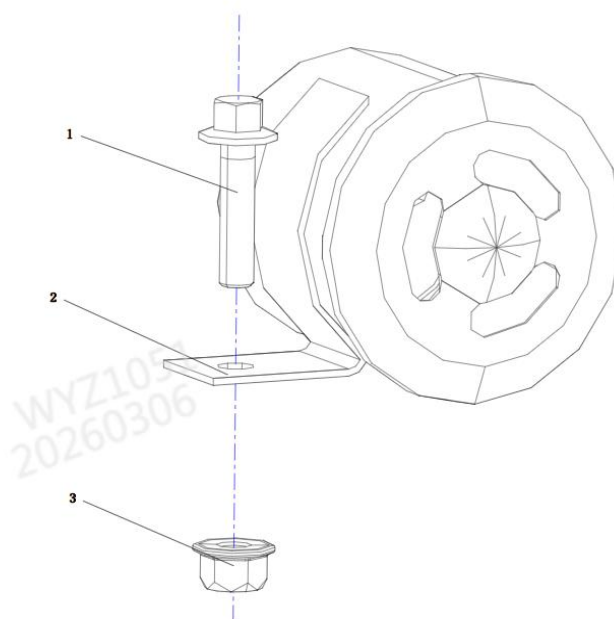
Reference number	Part Number	Part Name	quantity
	DZ95189777012	Threading Sheath (Φ 60)	5
	DZ96189777070	Threading Sheath	2
	DZ96189777083	Threading Sheath	2
	DZ96189777084	Threading Sheath	2
	DZ93189777161	Ordinary Narrow Cable Tie	50
	DZ93189777163	Ordinary Wide Cable Tie	50
	DZ93189777168	Septal Cable Tie	5
	DZ93189777167	Ribbon/M7	5
	DZ93189777164	Two Way Tie With Isolation Buckle	5
	DZ93189777168	Septal Cable Tie	15
	DZ91189360091	Lintel Protective Strip	0.75
	SZ904000003	Protective Strip	1.5
	DZ93189777165	Harness Bracket	2
	DZ97189777095	Front Wall Firewall Outlet Hole Sheath	1
	DZ93189189101	L Bracket - Pipeline Common (With Cladding)	4
	Q1811450TF3	Toothed Bolt With Hexagon Flange Face	8
	06. 11251. 2005	Hexagon Nut With Flange/M7. 112. 40 M14*1. 5-10-MAN183B1	8
	DZ9M189189100	L-Shaped Bracket - Plastic	4
	DZ96189777025	Wire Harness Bracket - Pedal Bracket Rear	1
	Q1840835T1F31	Hexagon Flange Bolt	3
	Q401B08	Flat Washer	2
	Q340B10T2F60	Type 1 Hex Nut	1
	DZ97259189736	Wire Harness Bracket - Pedal Bracket Front	1
	DZ93189777180	Wiring Harness Special Trunking	3
	Q150B0616	Bolt	6
	Q40305	Spring Washer	6
	DZ96189777085	Threading Sheath	5
	DZ96189777086	Threading Sheath (Φ 36)	10
	DZ97189777130	Threading Sheath (Φ 50 Wall Thickness 5-	5
	DZ97189777144	Pet Desa Cuff Tape (67Mm × 200Mm)	5

Engine Harness Accessory Assembly

Reference number	Part Number	Part Name	quantity
	DZ96189777032	P9HP10H Engine Left Wire Harness Fixed	1
	Q150B0820T1F3	Hexagon Head Bolt	2
	DZ96189777030	P9H/10H Engine Front Wire Harness Fixed	1
	Q150B0820T1F3	Hexagon Head Bolt	1
	Q340B08T2F3	Type 1 Hex Nut	1
	DZ96189777031	P9H10H Engine Lower Right Wire Harness Fixed Bracket	1
	Q40314	Spring Washer 190003931162	2

Q1811430TF3	Hexagon Flange Facing Toothed Bolt	2
DZ96189777019	Positive Cable Fixing Bracket (WP9H_WP10H)	1
Q40316	Elastic Washer	2
Q150B1630	Hexagonal Head Bolt	2
SZ904000003	Protective Strip	0.2
DZ93189777147	Positive Cable Fixing Clamp/Φ23.5-Φ25.5	3
Q1840616T1F31	Hexagon Flange Bolt	3
Q33006T2F60	All Metal Hexagonal Flange Locking Nut	3
DZ97189777040	Grounding Terminal (Installation M14, Wiring M10)	2
SXQ33010T2F3	All Metal Hexagonal Flange Locking Nut	2
Q33210T2F3	2 Type All Metal Hexagonal Lock Nut	3
DZ96189777088	Ground Bolt Protective Sleeve	2
DZ93189777164	Two Way Tie With Isolation Buckle	5
DZ93189777165	Harness Bracket	1
DZ93189777160	Belt/High-Temperature Resistant(385mm)	2
DZ93189777162	High Temperature Resistant Cable Tie(225Mm)	2
DZ93189777161	Ordinary Narrow Cable Tie	25
DZ93189777163	Ordinary Wide Cable Tie	45
DZ9X259126121	Single Head Double Hole Cable Tie (Reusable - With Non-Slip Sleeve).	1
DZ97189777031	Fixed Clamp	2
Q1840816T1F31	Hexagon Flange Bolt	2
DZ9X189189100	L-Shaped Bracket	2
Q150B0812	Hexagonal Head Bolt 06.01283.3110	2
DZ93189189101	L Bracket - Pipeline Common (With Cladding)	1
Q1811445TF3	Toothed Bolt With Hexagon Flange Face	1

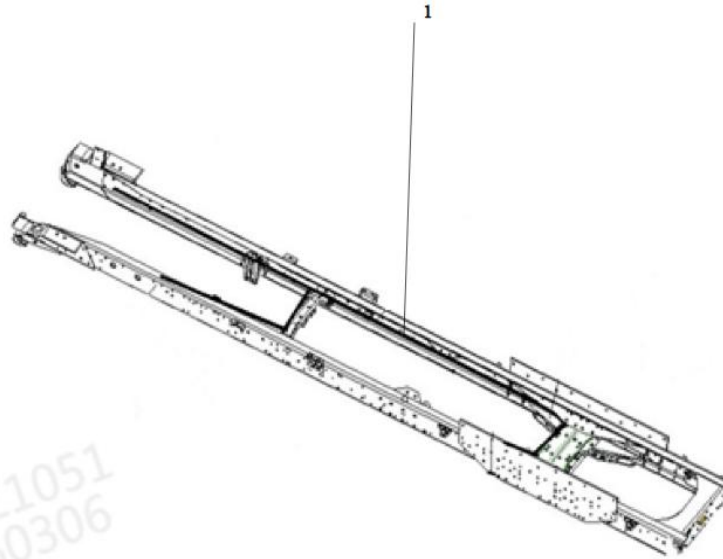
Reverse peak sound



Reference number	Part Number	Part Name	quantity
1	Q1840625T1F31	Hexagon Flange Bolt	1

2	DZ9100580050	Reverse Buzzer	1
3	Q33006T2F60	All Metal Hexagonal Flange Locking Nut	1

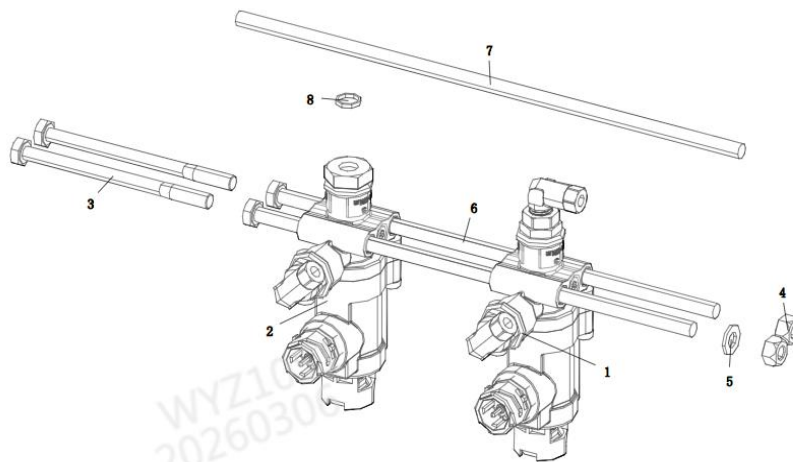
Fuel Tank Harness/Extension Wire



WYZ1051
20260306

Reference number	Part Number	Part Name	quantity
1	DZ93259773464	Fuel Tank Harness Extension Wire	1

Chassis Electrical Appliances



WYZ1051
20260306

Reference number	Part Number	Part Name	quantity
1	DZ97189716022	Solenoid Valve (Normal Type)	1
2	DZ97189716021	Electromagnetic Valve (Normally Closed)	1
3	Q150B08110	Hexagon Head Bolt (Galvanized)	2
4	Q33208T2F3	2 Type All Metal Hexagonal Lock Nut	2

5	Q401B08	Flat Washer	1
6	DZ91189719001	Hexagon Head Bolt (M8*260)	2
7	DZ95189762718	Stud (M8×300)	1
8	81.96502.0358	Sealing Sleeve	1

Chassis Electrical Appliances

Reference number	Part Number	Part Name	quantity
	DZ95189711001	Scr Upstream (Downstream) Temperature Sensor (Wp Series)	1
	SZ971000711	Environmental Temperature Sensor (Wp Series)	1
	DZ93189712156	Chassis Electrical Appliance	1
	DZ95189711725	Bracket	1
	Q1840816T1F31	Hexagon Flange Bolt	2
	Q401B08	Flat Washer	2
	Q40308F60	Spring Washer*	2
	Q33008T2F60	All Metal Hexagonal Flange Locking Nut	2
	DZ95189711410	Electric Horn (D1229D)	1
	Q150B0820T1F3	Hexagon Head Bolt	1
	Q401B08	Flat Washer	1
	Q33208T2F3	2 Type All Metal Hexagonal Lock Nut	1
	121300050086	Lead Sealing	2
	190000810930	Lead Sealing Wire	0.04

Chassis Electrical Appliance

Reference number	Part Number	Part Name	quantity
	DZ93189712118	Electrical Box Body	1
	DZ93189712128	Fuse/30A	3
	DZ93189712134	Fuse	1
	DZ93189712135	Fuse/100A	1

Chassis Electrical Appliances

Reference number	Part Number	Part Name	quantity
	DZ93189711111	Solenoid Valve Bracket	1
	Q150B0830T1F3	Hexagon Head Bolt	2
	Q402B08	Large Washer (Galvanized)	2
	Q33208T2F3	2 Type All Metal Hexagonal Lock Nut	2
	DZ97189716021	Electromagnetic Valve (Normally Closed)	2
	Q150B08130	Hexagon Head Bolt (Galvanized)	2
	Q402B08	Large Washer (Galvanized)	2
	Q340B08T2F60	Type 1 Hex Nut	2
	81.96502.0358	Sealing Sleeve	1
	81.25432.6121	7-Hole 24N Type Trailer Socket (With Cable)	1
	Q150B0820T1F3	Hexagon Head Bolt	2
	06.11069.0157	Hexagon Flange Self Chip Removal Nut	2
	DZ97189711310	Air Pressure Signal Switch (Hand Brake)	1
	DZ97189711201	Air Pressure Sensor	2
	Q72312T5F	Seal Gasket 190003098012	2
	81.25260.6101	Side Marker Light (With 1400Mm Wire)	2
	Q340B05	Type 1 Hex Nut	4

Q40305	Spring Washer	4
Q402B05	Large Washer (Galvanized)	4

Engine Harness

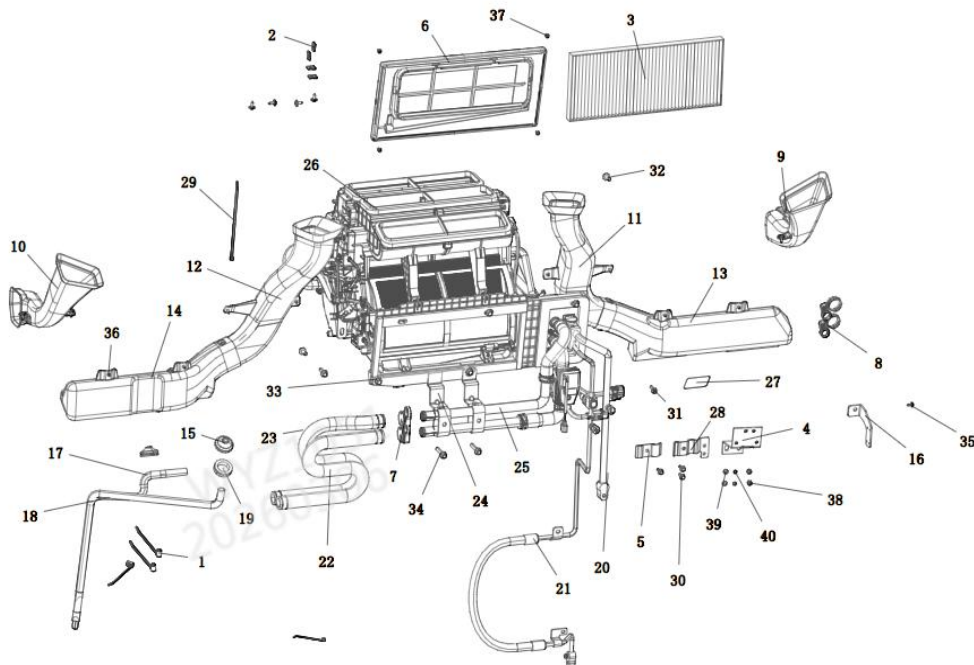
Reference number	Part Number	Part Name	quantity
	DZ97319778368	Engine Harness	1
	DZ93259773851	Positive Cable (Wp/Starter Flat Terminal M10/Main Switch Right Angle)	1
	DZ97259770188	Battery Connection Wire/H40_H41/50mm2/160mm	1
	DZ93189773814	Connecting Cable 70 × 220-10	1
	DZ96189774321	Battery Negative To Frame Ground Cable/650mm	1
	DZ93189773850	Transmission To Frame Inner Ground Cable	1
	DZ97189774172	Chassis Electrical Box Connecting Line	1
	DZ95189774060	Vehicle Speed Sensor Cable/New (4300)	1
	121300050086	Lead Sealing	2
	190000810930	Lead Sealing Wire	0.04

Frame harness

Reference number	Part Number	Part Name	quantity
	DZ97319773883	Frame harness	1

Air Conditioning And Heating

A/C Cab Components



Reference number	Part Number	Part Name	quantity
1	DZ93189777172	Welding Stud	3
2	06.13189.0099	Reed Nuts/ST4.8-2-MAN183-B1	4
3	81.61910.0011	Filter Screen At Air Inlet Of Fan Heater	1
4	DZ13241821204	Drying Tank Bracket Assembly	1

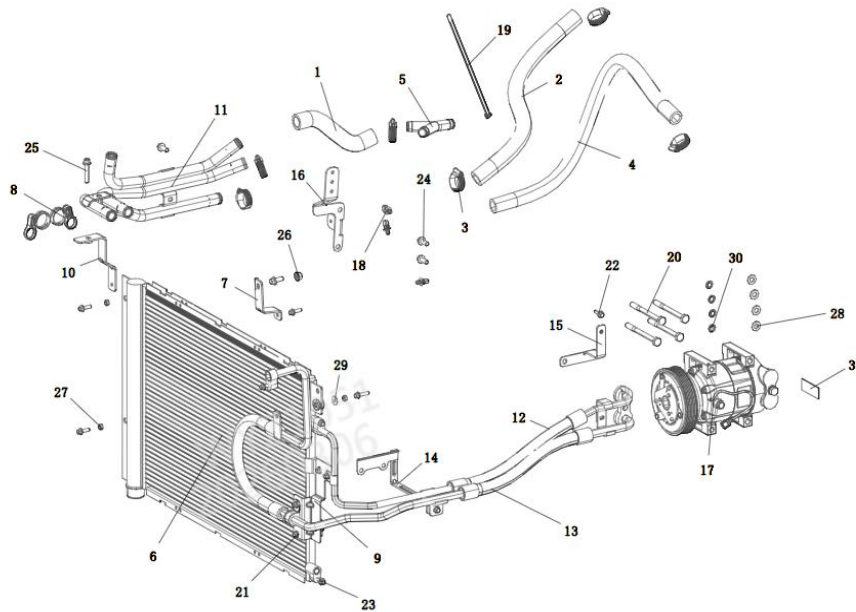
5	DZ13241821502	Fixed Clip (2)	1
6	DZ13241841430	Filter Housing Assembly	1
7	DZ13241848911	Elastic Clamp 30	2
8	DZ13241848912	Elastic Clamp 29	2
9	DZ14251160200	Left Defrosting Duct	1
10	DZ14251160210	Right Defrost Air Duct	1
11	DZ14251160220	Left Foot Blowing Duct (Upper)	1
12	DZ14251160230	Right Side Foot Blowing Air Duct (Upper)	1
13	DZ14251161900	Left Foot Blowing Air Duct (Down)	1
14	DZ14251161950	Right Side Foot Blowing Air Duct (Lower)	1
15	DZ14251841001	Drainage Plug Cover	2
16	DZ14251841009	Electric Water Valve Bracket	1
17	DZ14251841011	Drainage Pipe	1
18	DZ14251841012	Front Water Outlet Pipe	1
19	DZ14251841021	Rubber Sheath	1
20	DZ14251841043	Evaporator Compressor Connecting Pipe (1)	1
21	DZ14251841078	Condenser Evaporator Connection Pipe	1
22	DZ14251841107	Heating Water Pipe Forming Hose IV	1
23	DZ14251841108	Heating Water Pipe Forming Hose (V)	1
24	DZ14251841110	Air Heating Bracket	1
25	DZ14251841116	Heating Component	1
26	DZ14251841122	AC Body Assembly (X3000/RHD/Fan Power Independent)	1
27	DZ14251841204	AC System Warning Sign (X3000)	1
28	DZ14251845007	Pipe Clamp	1
29	DZ93189777161	Ordinary Narrow Cable Tie	2
30	Q1840616T1F31	Hexagon Flange Bolt	3
31	Q1840620T1F31	Hexagon Flange Bolt	1
32	Q1840820T1F31	Hexagon Flange Bolt	5
33	Q1840825T1F31	Hexagon Flange Bolt	3
34	Q1840840T1F31	Hexagon Flange Bolt	2
35	Q221B4213F60	Cross Recessed Pan Head Tapping Screw And Flat Washer Assembly	4
36	Q221B4816F60	Cross Recessed Pan Head Tapping Screw And Flat Washer Assembly	2
36	Q221B4816F60	Cross Recessed Pan Head Tapping Screw And Flat Washer Assembly	2
36	Q221B4816F60	Cross Recessed Pan Head Tapping Screw And Flat Washer Assembly	2
36	Q221B4816F60	Cross Recessed Pan Head Tapping Screw And Flat Washer Assembly	2
36	Q221B4816F60	Cross Recessed Pan Head Tapping Screw And Flat Washer Assembly	2
36	Q221B4816F60	Cross Recessed Pan Head Tapping Screw And Flat Washer Assembly	2
36	Q221B4816F60	Cross Recessed Pan Head Tapping Screw And Flat Washer Assembly	4
37	Q230B0410F60	Cross Slotted Screw And Washer Combination	4
38	Q340B06F60	Type 1 Hex Nut	2
39	Q401B06F60	Flat Washer	2
40	Q40306F60	Spring Washer*	2

Heating Component



Reference number	Part Number	Part Name	quantity
	DZ13241848913	Elastic Clamp 28	2
	DZ13241848911	Elastic Clamp 30	2
	DZ14251841013	Heating Water Valve	1
	DZ14251841106	Heating Air Pipe Aluminum Pipe (Cab)	1
	DZ14251841005	Heating Air Pipe Forming (3)	1
	DZ14251841004	Heating Air Pipe Forming (2)	1
	DZ14251841003	Heating Air Pipe Forming (1)	1

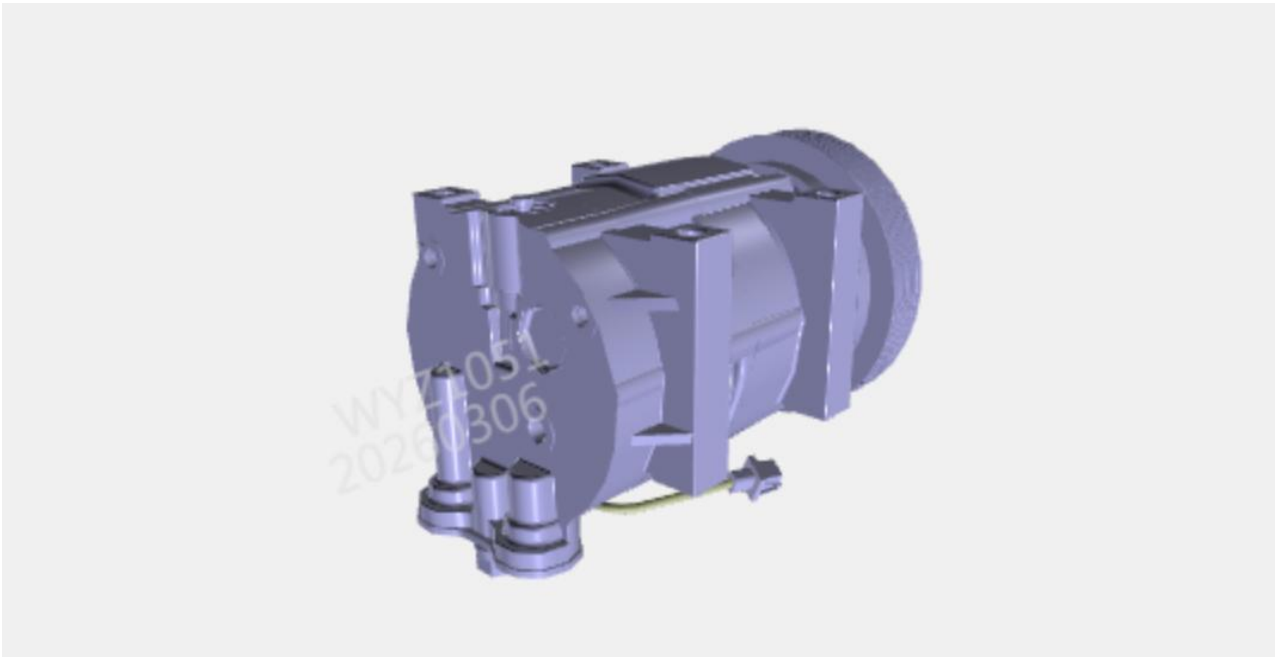
A/C Chassis Components



Reference number	Part Number	Part Name	quantity
------------------	-------------	-----------	----------

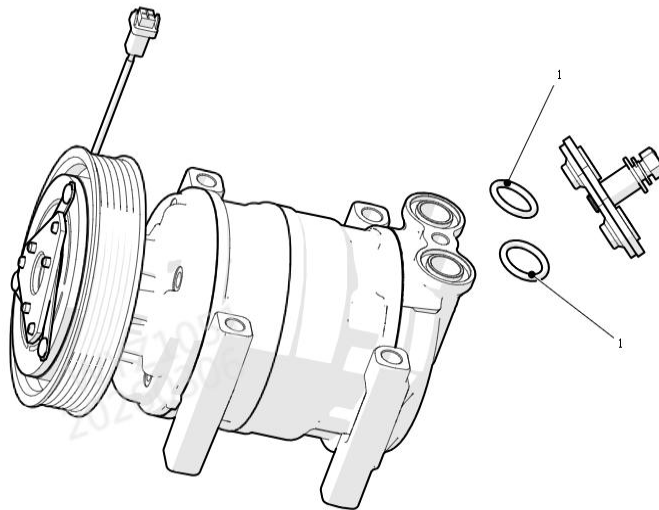
1	116000840028	Rubber Hose	1
2	116003840071	Rubber Hose	1
3	190003989301	Hose Clamp	2
3	190003989301	Hose Clamp	2
3	190003989301	Hose Clamp	2
4	199000530037	Rubber Hose	1
5	199100530126	Y Type Part	1
6	DZ13241824370	Subcooled Condenser Assembly (Integrated Drying Tank)	1
7	DZ13241845122	Pipeline Bracket/III	1
8	DZ13241848911	Elastic Clamp 30	2
9	DZ14251845008	Pipeline Bracket/III	1
10	DZ14251845102	Air Heating Bracket	1
11	DZ14251845104	Heating Chassis Aluminum Pipe (Wp13)	1
12	DZ14251848268	Compressor Condenser Connection Pipe (X3000/Wp10H)	1
13	DZ14251848595	Evaporator Compressor Connecting Pipe (X3000/Wp10H/New Gear Train)	1
14	DZ14251848901	Pipe Fixing Bracket	1
15	DZ14251848953	Pipe Fixing Bracket	1
16	DZ14251848970	Heating Pipeline Bracket (X5000/Wp11S)	1
17	DZ15221840304	Compressor Assembly (Side Mounted/Wp9)	1
18	DZ93189777036	Fixed Seat Fastening Strap	3
19	DZ93189777163	Ordinary Wide Cable Tie	1
20	Q150B10110	Hexagon Head Bolt (Galvanized)	4
21	Q1840616T1F31	Hexagon Flange Bolt	4
22	Q1840620T1F31	Hexagon Flange Bolt	1
22	Q1840620T1F31	Hexagon Flange Bolt	1
22	Q1840620T1F31	Hexagon Flange Bolt	2
22	Q1840620T1F31	Hexagon Flange Bolt	1
23	Q1840625T1F31	Hexagon Flange Bolt	1
23	Q1840625T1F31	Hexagon Flange Bolt	1
23	Q1840625T1F31	Hexagon Flange Bolt	3
24	Q1840820T1F31	Hexagon Flange Bolt	1
24	Q1840820T1F31	Hexagon Flange Bolt	1
24	Q1840820T1F31	Hexagon Flange Bolt	2
25	Q1840840T1F31	Hexagon Flange Bolt	1
26	Q33008T2F60	All Metal Hexagonal Flange Locking Nut	1
27	Q340B06F60	Type 1 Hex Nut	5
28	Q401B10	Flat Washer	4
29	Q402B06F60	Large Washer	1
30	Q40310	Spring Washer 190003931122	4

Compressor Assembly (Side Mounted/Wp9)



Reference number	Part Number	Part Name	quantity
	4010758-DZ15221840304	4010758/Compressor assembly (side-	1

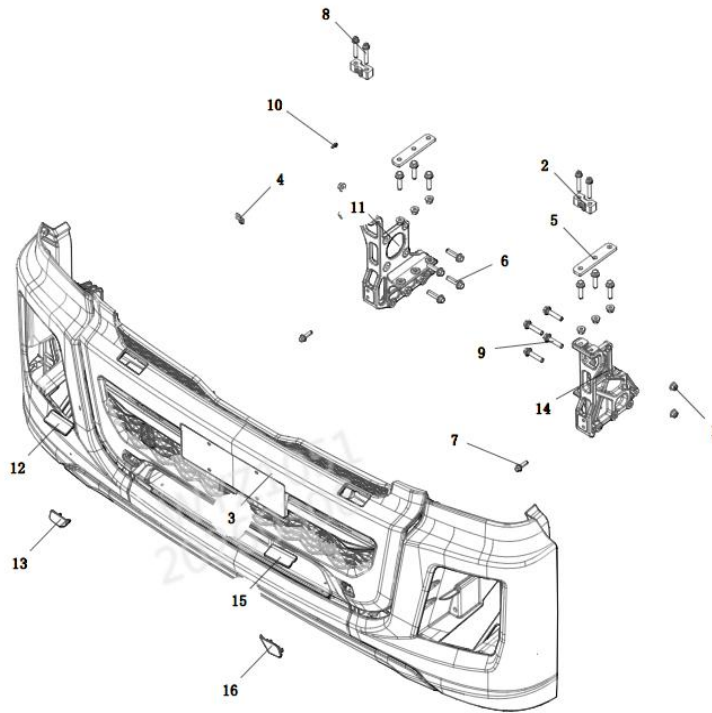
4010758/Compressor assembly (side-mounted/WP9)



Reference number	Part Number	Part Name	quantity
	C31TY0021	O-ring	2

Accessories

Bumper



Reference number	Part Number	Part Name	quantity
1	06.11251.2005	Hexagon Nut With Flange/M7.112.40 M14*1.5-10-MAN183B1	10
2	DZ97189623023	Bumper Transition Mounting Seat/+70	2
3	DZ97189623060	Bumper Sub Assembly/X3000/Without Mesh	1
4	DZ97189623066	Mounting Bracket Assembly/Washing Pot	1
5	DZ97189640215	Left Pad	2
6	Q1811455TF3	Toothed Bolt With Hexagon Flange Face	10
7	Q1811240TF3	Toothed Bolt With Hexagon Flange Face	2
8	Q1811270TF3	Toothed Bolt With Hexagon Flange Face	4
9	Q1811465TF3	Toothed Bolt With Hexagon Flange Face	4
10	Q1840616T1F31	Hexagon Flange Bolt	1
11	DZ97189623022	Right Mounting Seat Of Bumper	1
12	DZ97189623006	Upper Right Bumper Cover	1
13	DZ97189623012	Lower Right Bumper Cover	1
14	DZ97189623021	Left Mounting Seat Of Bumper	1
15	DZ97189623005	Left Upper Bumper Cover	1
16	DZ97189623011	Left Lower Bumper Cover	1

Bumper Sub Assembly/X3000/Without Mesh



Reference number	Part Number	Part Name	quantity
	Q1840616	Hexagon Flange Bolt	38
	Q1840625	Hexagon Flange Bolt	28
	Q230B0620F60	Cross Slotted Screw And Washer Combination	14
	DZ97189623019	Bumper Anti-Skid Plate	1
	DZ97189623020	Bumper Frame Sub Assembly	1
	DZ97189623050	Front Bumper Grille Assembly	1
	DZ97189623054	Bumper Grille	1
	DZ97189623064	Lower Body Assembly Of Bumper	1
	DZ97189623065	Lower Bumper Trim Panel Assembly	1
	DZ97189623062	Right Bumper Body Assembly	1
	DZ97189623008	Right End Decorative Panel Of Bumper	1
	DZ97189623063	Bumper Middle Body Assembly	1
	DZ97189623061	Left Bumper Body Assembly	1
	DZ97189623007	Left End Decorative Panel Of Bumper	1

Bumper Frame Sub Assembly



Reference number	Part Number	Part Name	quantity
	DZ97189623015	Left Bumper Support Frame	1
	DZ97189623016	Right Bumper Support Frame	1
	DZ97189623017	Lamp Frame Bracket	2
	DZ97189623013	Left Bumper Light Frame	1
	DZ97189623014	Bumper Right Light Frame	1
	DZ97189621015	Rubber Ring	4
	DZ97189623030	Welding Assembly Of Bumper Upper Frame	1
	DZ97189623040	Welding Assembly Of Bumper Lower Frame	1
	Q1840830	Hexagon Flange Bolt	8
	Q150B0825T1F3	Hexagon Head Bolt	6
	Q340B08T2F3	Type 1 Hex Nut	4
	Q402B08	Large Washer (Galvanized)	10
	Q1840625	Hexagon Flange Bolt	12
	DZ97189623048	Support Components	1
	Q1840612	Hexagon Flange Bolt	4

Welding Assembly Of Bumper Upper Frame



Reference number	Part Number	Part Name	quantity
	Q1980820	Face Projection Welding Bolt	4

Q37106	Welding Square Nut	6
DZ97189623035	Bumper License Plate Bracket	2
DZ97189623034	Bumper Grille Bracket	2
DZ97189623032	Right Connecting Plate	1
DZ97189623033	Main Beam	1
DZ97189623031	Left Connecting Plate	1

Welding Assembly Of Bumper Lower Frame



Reference number	Part Number	Part Name	quantity
	DZ97189623041	Bumper Lower Frame	1
	DZ97189623042	Lower Trim Panel Bracket	2
	DZ97189623043	Left Bumper Reinforcement Plate	1
	DZ97189623044	Right Bumper Reinforcement Plate	1
	Q37106	Welding Square Nut	12
	Q37108	Welding Square Nut	10

Front Bumper Grille Assembly



Reference number	Part Number	Part Name	quantity
------------------	-------------	-----------	----------

DZ97189623053	Bumper Front Grille	1
DZ97189623055	Left Chrome Decorative Strip On The Bumper	1
DZ97189623056	Bumper Right Chrome Trim Strip	1
DZ97189623051	Bumper Left Grille Cover	1
DZ97189623052	Bumper Right Grille Cover	1
Q2715513	Cross Recessed Countersunk Head Screw	6

Lower Body Assembly Of Bumper



Reference number	Part Number	Part Name	quantity
	DZ97189623004	Lower Body Of Bumper	1
	DZ97189623028	Spring Nut	6

Lower Bumper Trim Panel Assembly



Reference number	Part Number	Part Name	quantity
	DZ97189623009	Lower Bumper Trim Panel	1
	DZ97189623028	Spring Nut	6

Right Bumper Body Assembly



Reference number	Part Number	Part Name	quantity
	DZ97189623002	Right Bumper Body	1
	DZ97189623028	Spring Nut	19

Bumper Middle Body Assembly





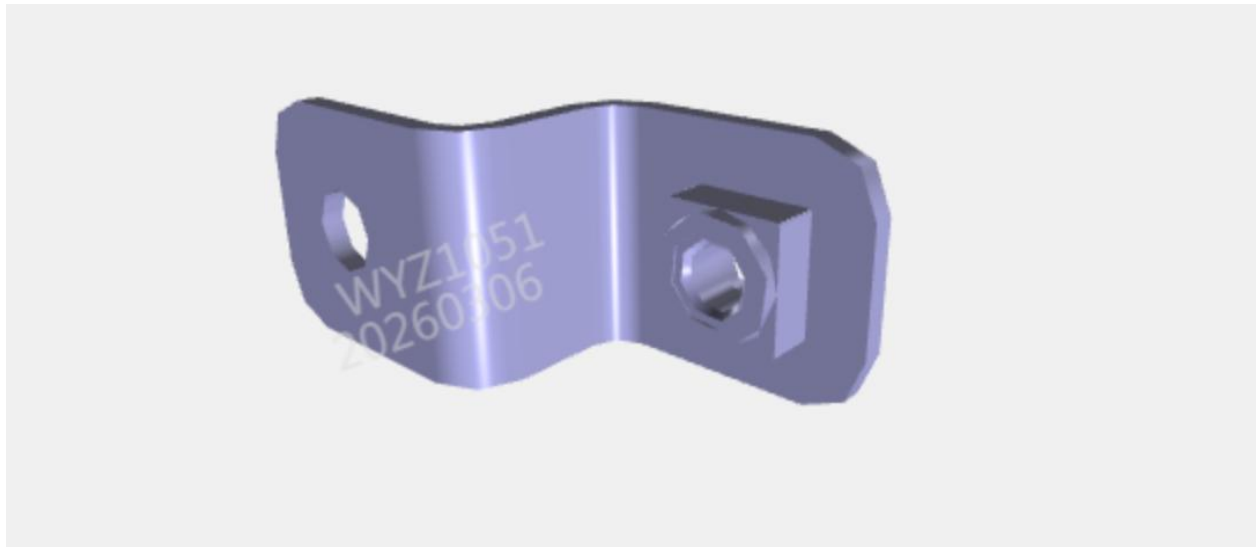
Reference number	Part Number	Part Name	quantity
	DZ97189623003	Bumper Middle Body	1
	DZ97189623028	Spring Nut	22

Left Bumper Body Assembly



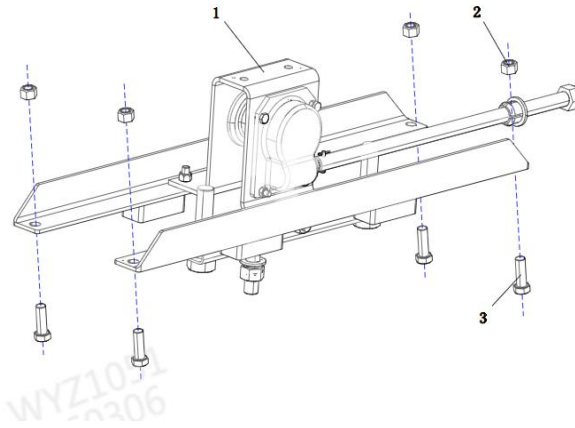
Reference number	Part Number	Part Name	quantity
	DZ97189623001	Left Bumper Body	1
	DZ97189623028	Spring Nut	19

Mounting Bracket Assembly/Washing Pot



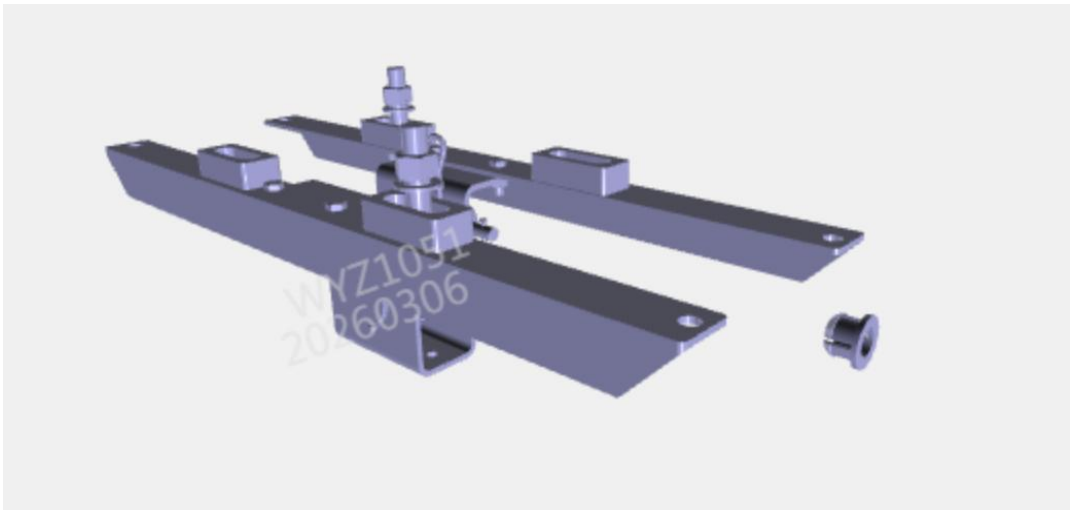
Reference number	Part Number	Part Name	quantity
	DZ97189623071	Mounting Bracket/Washing Pot	1
	Q37106	Welding Square Nut	1

Spare Wheel Rack



Reference number	Part Number	Part Name	quantity
1	DZ95189864000	Center Mounted Spare Tire Mount Assembly/Lightweight	1
2	190003888620	Self-Locking Nut	4
3	Q151B1440TF3	Hexagon Head Bolt- Fine Thread	4

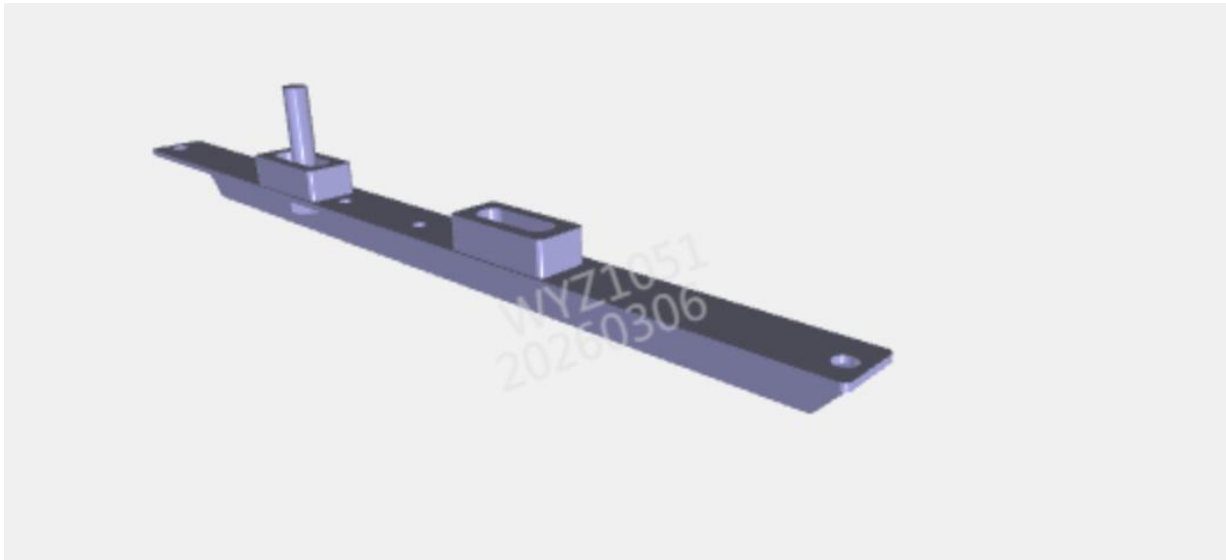
Center Mounted Spare Tire Mount Assembly/Lightweight



Reference number	Part Number	Part Name	quantity
	DZ95189864010	Cross Beam Assembly	1
	DZ95189864013	Cross Beam Assembly II	1

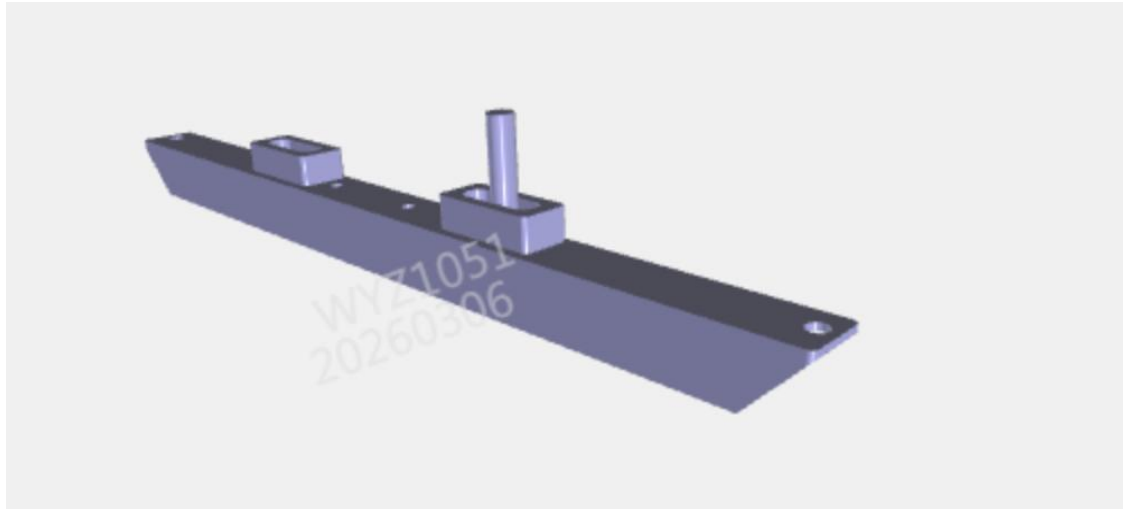
DZ95189864011	Winch Bracket	1
Q150B1030T1F3	Hexagon Head Bolt	4
Q33210T2F3	2 Type All Metal Hexagonal Lock Nut	4
81.42401.6189	Spare Tire Winch	1
Q150B0828	Hexagon Head Bolt (Galvanized)	2
Q340B08T2F3	Type 1 Hex Nut	2
81.92611.5027	Wire Rope Assembly	1
DZ95189860024	Spare Tire Carrier Assembly	1
Q5100528	Axis Pin	1
Q5002016	Split Pin**	1
81.42401.5325	Shaft Assembly	1
DZ95259865014	Bushing	1
Q401B20	Flat Washer	2
Q40320	Spring Washer	2
Q341B20	I-Shaped Hexagonal Nut	2

Cross Beam Assembly



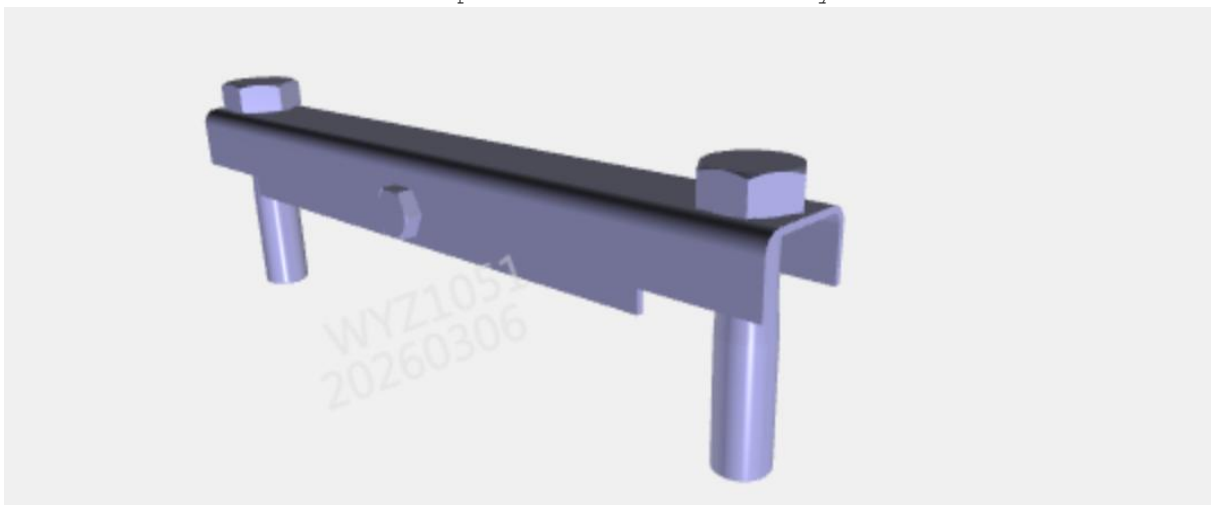
Reference number	Part Number	Part Name	quantity
	Q151B2090TF3	Hexagon Head Bolt	1
	DZ95189864001	Beam	1
	DZ95189864014	Base Plate	1
	DZ95189864014	Base Plate	1

Cross Beam Assembly II



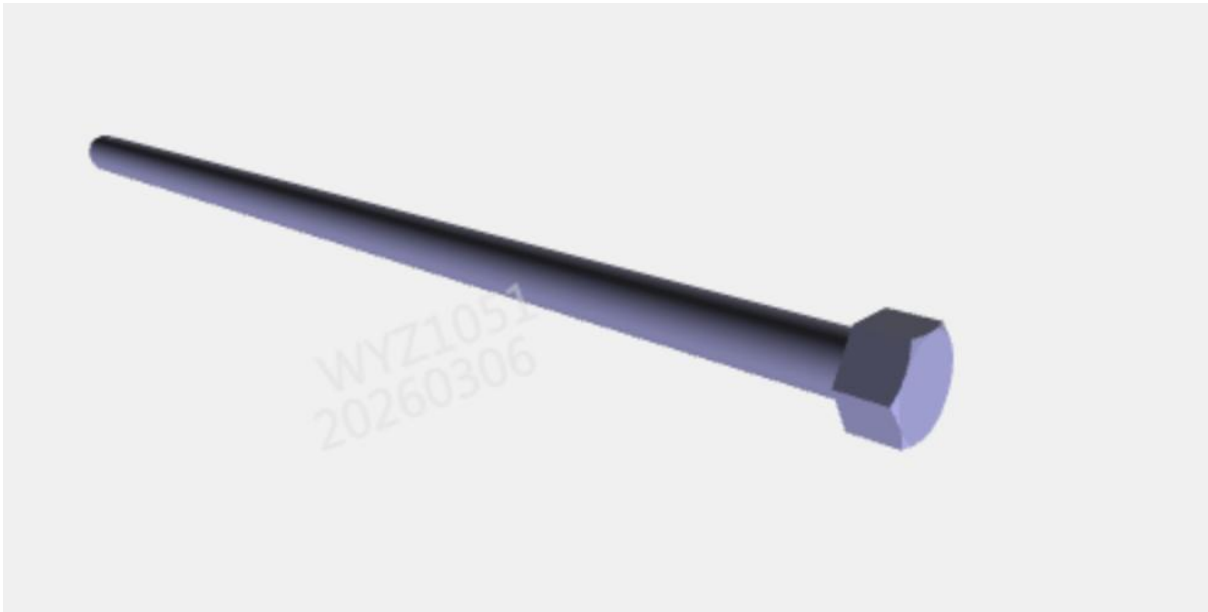
Reference number	Part Number	Part Name	quantity
	DZ95189864002	Cross Beam II	1
	Q151B2090TF3	Hexagon Head Bolt	1
	DZ95189864014	Base Plate	1
	DZ95189864014	Base Plate	1

Spare Tire Carrier Assembly



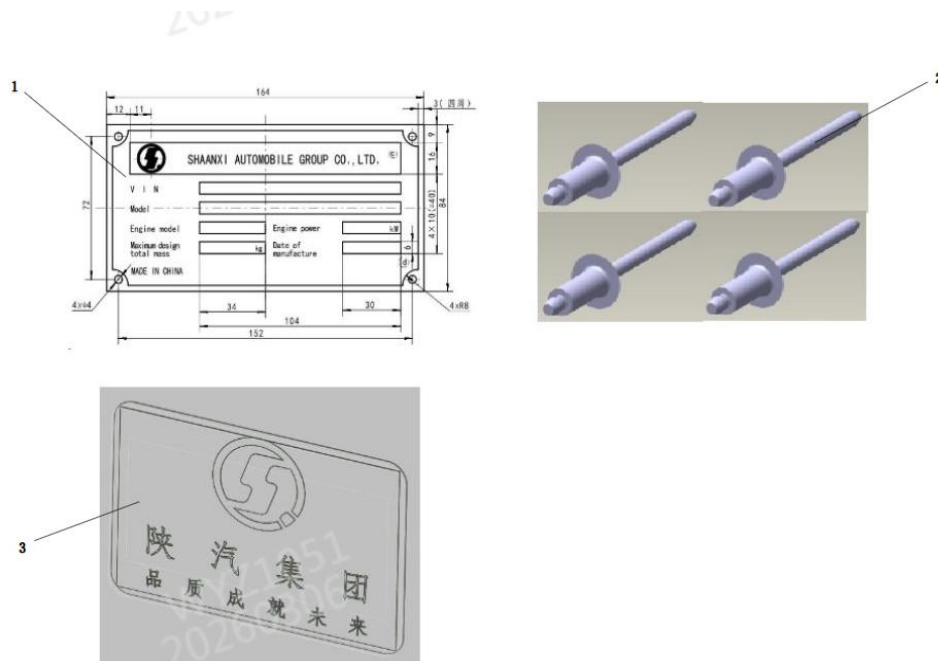
Reference number	Part Number	Part Name	quantity
	DZ95189861024	Spare Wheel Carrier	1
	Q150B24100T1F3	Hexagon Head Bolt	2
	Q151B1470TF3	Hexagon Head Bolt- Fine Thread	1
	Q33214	Self-Locking Nut Az9003880003	1

Shaft Assembly



Reference number	Part Number	Part Name	quantity
	81.42401.2776	Lever	1
	81.42401.2680	Hexagonal Bolt Head	1

Vehicle Label

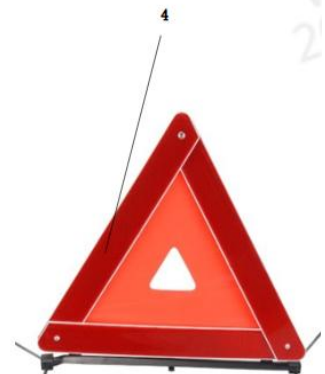
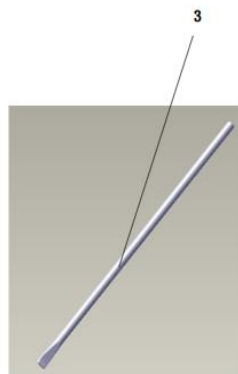
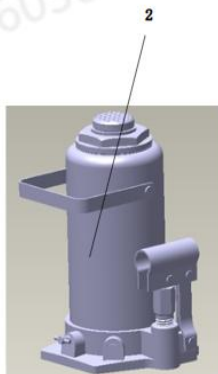


Reference number	Part Number	Part Name	quantity
1	DZ1600950009	Vehicle Label	1
2	Q4400410T19	Open End Flat Round Head Blind Rivets	4
3	DZ13241930018	Shacman Electronic Label	1

Assignment Description

Reference number	Part Number	Part Name	quantity
1	DZ97259000215	Hoisting Process Indicator Board/In Both Chinese And English	1

Vehicle Toolbox



序号	名称	有	无	随车环节	负责人签名	备注
1	气瓶合格证	<input type="checkbox"/>	<input type="checkbox"/>	入库时		天然气车
2	气瓶注册登记	<input type="checkbox"/>	<input type="checkbox"/>	入库时		
3	气瓶定期检验合格证	<input type="checkbox"/>	<input type="checkbox"/>	入库时		
4	气瓶安全合格证	<input type="checkbox"/>	<input type="checkbox"/>	入库时		
5	特种设备安全许可证	<input type="checkbox"/>	<input type="checkbox"/>	入库时		
6	气瓶安全合格证	<input type="checkbox"/>	<input type="checkbox"/>	入库时		
7	合格证(天然气)合格证	<input type="checkbox"/>	<input type="checkbox"/>	入库时		
8	天然气发动机零件图册	<input type="checkbox"/>	<input type="checkbox"/>	入库时		
9	气像发动机使用保养说明书	<input type="checkbox"/>	<input type="checkbox"/>	入库时		
10	车辆安全性能检测报告	<input type="checkbox"/>	<input type="checkbox"/>	入库时	随车携带	
11	合格证(设备)合格证	<input type="checkbox"/>	<input type="checkbox"/>	入库时	随车携带	
12	彩色照片(2张)	<input type="checkbox"/>	<input type="checkbox"/>	入库时	随车携带	
13	VIN拓印纸(2个)	<input type="checkbox"/>	<input type="checkbox"/>	入库时	随车携带	
14	产品使用说明书	<input type="checkbox"/>	<input type="checkbox"/>	出车时		
15	驾驶证	<input type="checkbox"/>	<input type="checkbox"/>	出车时	仅出口车(含)	
16	公章(1枚)	<input type="checkbox"/>	<input type="checkbox"/>	出车时	仅出口车(含)	
17	营业执照	<input type="checkbox"/>	<input type="checkbox"/>	出车时	仅出口车(含)	
18	道路运输证	<input type="checkbox"/>	<input type="checkbox"/>	出车时	仅出口车(含)	
19	统一合格证	<input type="checkbox"/>	<input type="checkbox"/>	出车时	仅出口车(含)	
20	统一合格证	<input type="checkbox"/>	<input type="checkbox"/>	出车时	仅出口车(含)	
21	CCC标识	<input type="checkbox"/>	<input type="checkbox"/>	出车时		
22	合格证	<input type="checkbox"/>	<input type="checkbox"/>	出车时		
23	合格证	<input type="checkbox"/>	<input type="checkbox"/>	出车时		
24	北斗GPS定位终端设备	<input type="checkbox"/>	<input type="checkbox"/>	出车时		
25	天行通合格证	<input type="checkbox"/>	<input type="checkbox"/>	入库时	随车携带	
26	天行通用户操作手册	<input type="checkbox"/>	<input type="checkbox"/>	入库时		
27	天行通设备	<input type="checkbox"/>	<input type="checkbox"/>	入库时		
28	随车产品合格证	<input type="checkbox"/>	<input type="checkbox"/>	出车时	随车携带	
29	随车产品合格证	<input type="checkbox"/>	<input type="checkbox"/>	出车时	随车携带	
30	身份证	<input type="checkbox"/>	<input type="checkbox"/>	出车时	随360环视的车辆	

序号	名称	数量	有	无	随车环节	负责人签名	备注
1	ABS电磁阀	1	<input type="checkbox"/>	<input type="checkbox"/>	入库时		装配“ABS”的牵引车
2	罐体安全性能合格证	1	<input type="checkbox"/>	<input type="checkbox"/>	入库时		随车携带
3	牵引销	1	<input type="checkbox"/>	<input type="checkbox"/>	入库时		4000/7000/9000/10000/12000
4	轴轴	1	<input type="checkbox"/>	<input type="checkbox"/>	入库时		F3400/W3000车型
5	中轴(1根)	2	<input type="checkbox"/>	<input type="checkbox"/>	入库时		装配中轴(1根)的车辆
6	液压油(17升)	1	<input type="checkbox"/>	<input type="checkbox"/>	入库时		液压油(17升)的车辆
7	点烟器	1	<input type="checkbox"/>	<input type="checkbox"/>	出车时		W3000/A3000入车标配
8	工具箱	1	<input type="checkbox"/>	<input type="checkbox"/>	出车时		
9	螺栓(Φ22*850)	1	<input type="checkbox"/>	<input type="checkbox"/>	出车时		
10	螺栓(Φ24*500)	1	<input type="checkbox"/>	<input type="checkbox"/>	出车时		4000系列产品
11	螺栓(Φ24*500)	1	<input type="checkbox"/>	<input type="checkbox"/>	出车时		4000系列产品
12	轴瓦(1个)	1	<input type="checkbox"/>	<input type="checkbox"/>	出车时		
13	灭火器(2kg,14kg,8kg)	1	<input type="checkbox"/>	<input type="checkbox"/>	出车时		有轴瓦运输车/4000系列产品
14	轴瓦	1	<input type="checkbox"/>	<input type="checkbox"/>	出车时		装配“多轴牵引车”的车辆
15	轴瓦	1	<input type="checkbox"/>	<input type="checkbox"/>	出车时		装配“多轴牵引车”的车辆
16	轴瓦	1	<input type="checkbox"/>	<input type="checkbox"/>	出车时		装配“多轴牵引车”的车辆
17	轴瓦	1	<input type="checkbox"/>	<input type="checkbox"/>	出车时		装配“多轴牵引车”的车辆
18	轴瓦	1	<input type="checkbox"/>	<input type="checkbox"/>	出车时		装配“多轴牵引车”的车辆
19	轴瓦	1	<input type="checkbox"/>	<input type="checkbox"/>	出车时		装配“多轴牵引车”的车辆
20	轴瓦	1	<input type="checkbox"/>	<input type="checkbox"/>	出车时		装配“多轴牵引车”的车辆
21	轴瓦	1	<input type="checkbox"/>	<input type="checkbox"/>	出车时		装配“多轴牵引车”的车辆
22	轴瓦	1	<input type="checkbox"/>	<input type="checkbox"/>	出车时		装配“多轴牵引车”的车辆
23	轴瓦	1	<input type="checkbox"/>	<input type="checkbox"/>	出车时		装配“多轴牵引车”的车辆
24	轴瓦	1	<input type="checkbox"/>	<input type="checkbox"/>	出车时		装配“多轴牵引车”的车辆
25	轴瓦	1	<input type="checkbox"/>	<input type="checkbox"/>	出车时		装配“多轴牵引车”的车辆
26	轴瓦	1	<input type="checkbox"/>	<input type="checkbox"/>	出车时		装配“多轴牵引车”的车辆
27	轴瓦	1	<input type="checkbox"/>	<input type="checkbox"/>	出车时		装配“多轴牵引车”的车辆
28	轴瓦	1	<input type="checkbox"/>	<input type="checkbox"/>	出车时		装配“多轴牵引车”的车辆
29	轴瓦	1	<input type="checkbox"/>	<input type="checkbox"/>	出车时		装配“多轴牵引车”的车辆
30	轴瓦	1	<input type="checkbox"/>	<input type="checkbox"/>	出车时		装配“多轴牵引车”的车辆



Reference number	Part Number	Part Name	quantity
1	DZ91189850008	Vehicle Toolbox	1
2	SZ992000742	Hydraulic Jack/QYLA16 JB2104	1
3	SZ992000738	Crowbar/Φ22*850	1
4	DZ9100850030	Triangular Warning Sign	1
5	DZ97259850010	Information Bag	1

Vehicle Toolbox

Reference number	Part Number	Part Name	quantity
	DZ20119850002	Open End Wrench (14×17 Gb/T4393-1995)	1
	DZ20119850003	Open End Wrench (19×22 Gb/T4393-1995)	1
	DZ20119850007	Ring Wrench (14 × 17 Gb/T4393-1995)	1
	DZ20119850015	Slotted Screwdriver/100×6	1
	DZ20119850017	Cross Screwdriver/75×4.5	1
	DZ20119850020	Monkey Wrench (300Mm Gb4440-84)	1
	DZ20119850024	Slip Joint Pliers (200Mm Gb4953-85)	1
	DZ20119850030	Tire Sleeve (30 × 32)	1
	DZ20119850035	Tire Inflation Hose (S16 × 10M)	1
	DZ20119850039	Toolbox	1