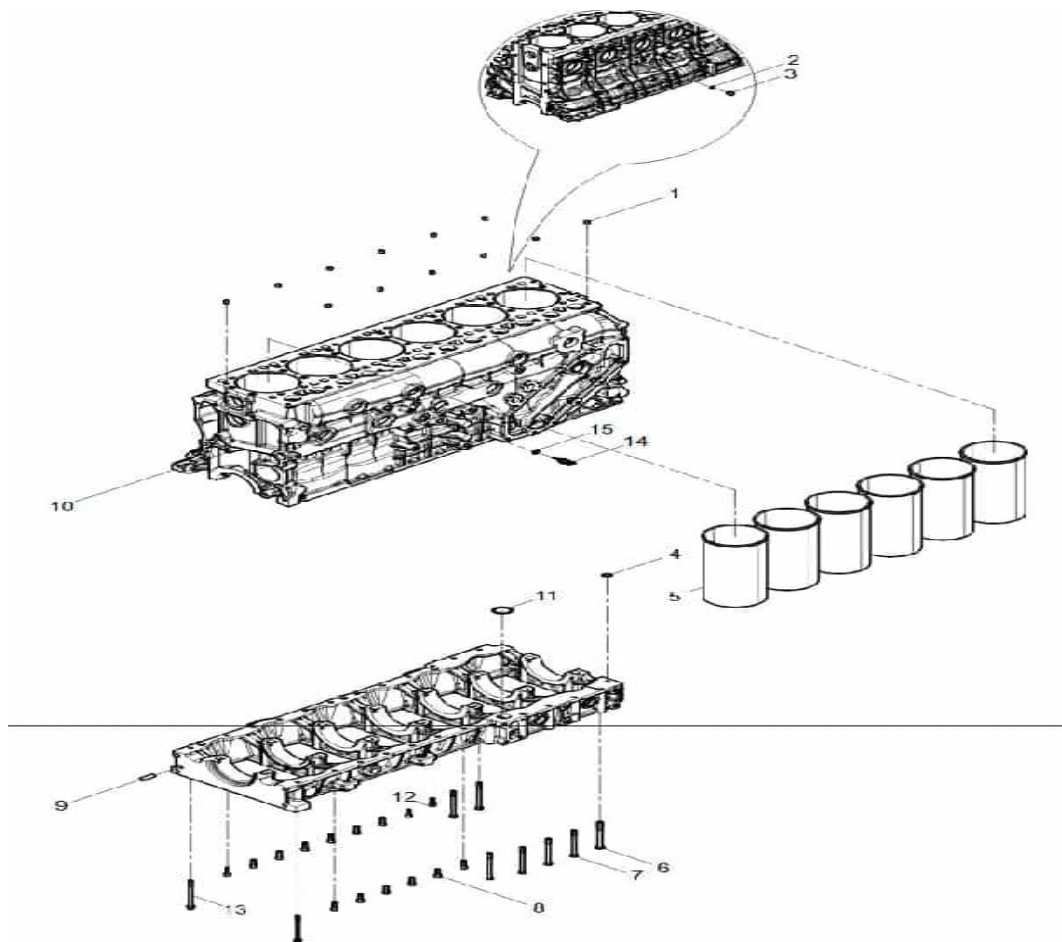
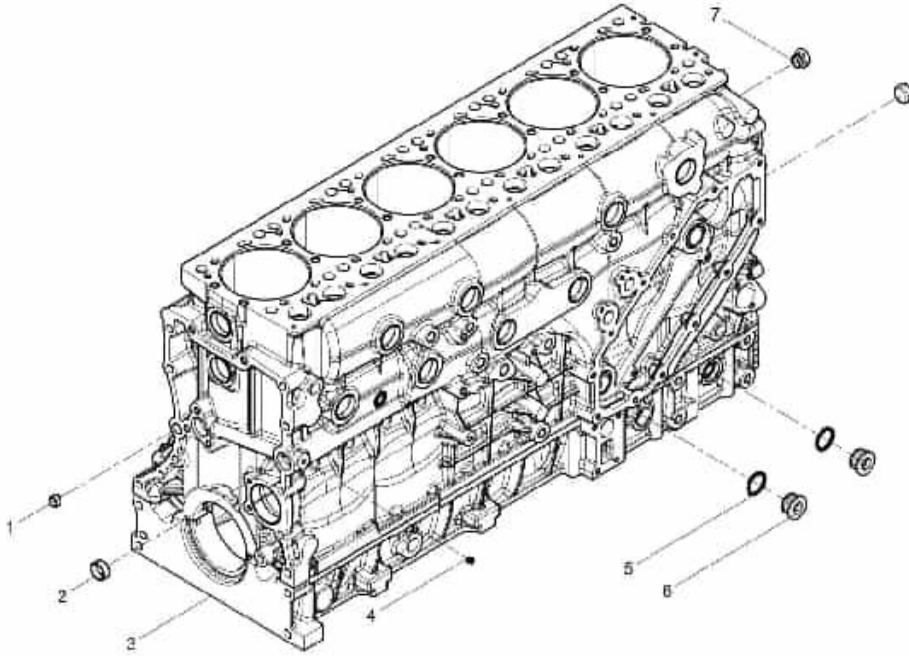


WP12.430E201 柴油机
1003351863 Engine Block Group



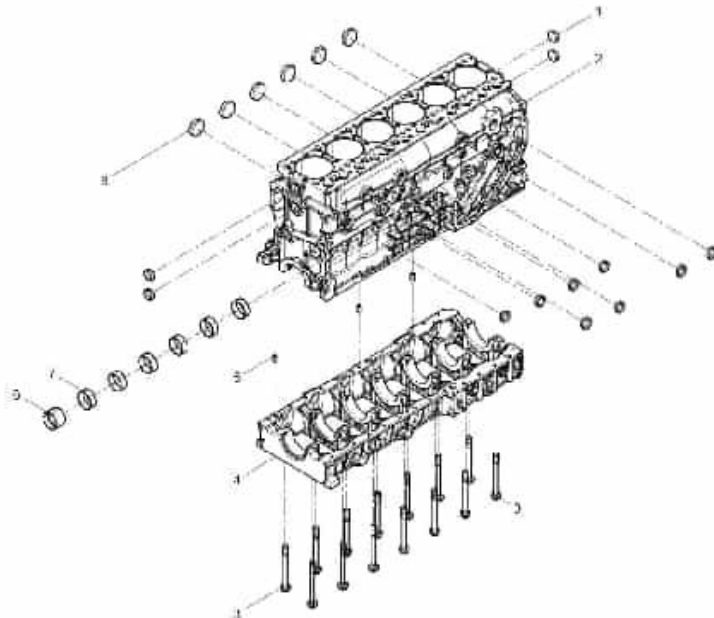
Number	Part Number	Name	Quantity
1	612639000089	Cylindrical pin	12
2	1001251569	Assembled Sealing Washer	1
3	1001675556	Hexagon Screw Plug	1
4	612639000088	O-ring	1
5	612630010055	Cylinder Liner	6
6	9000000401	Hexagon Flange Bolt	1
7	9000000067	Hexagon Flange Bolt	7
8	90013050177	Inner Hexagon Socket Head Cap Screw	14
9	612639000034	Cylindrical pin	1
10	1003152324	Engine Block Assembly	1
11	612630010107	O-ring	1
12	90013550006	Inner Hexagon Socket Head Cap Screw	1
13	1001591059	Back-up Block	1
14	612600090919	Pressure Sensor	1
15	612600080275	Sealing Washer	1

1003152324 Engine Block Assembly



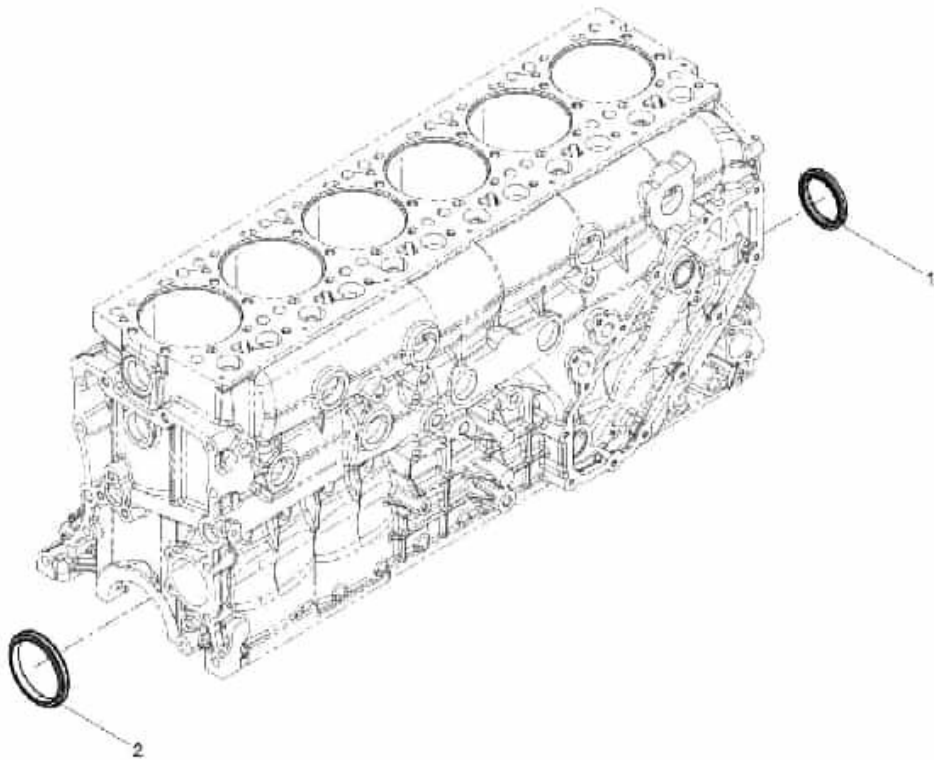
Number	Part Number	Name	Quantity
1	612639000033	Bowl Plug	1
2	90003989204	Bowl Plug	2
3	1003152056	Crankcase Pre-assembly	1
4	612639000020	Pulling Rivet	1
5	1001063390	Assembled Sealing Washer	2
6	1006569436	Screw Plug	2
7	90003962030	Hexagon Screw Plug	1

1003152056 Crankcase Pre-assembly



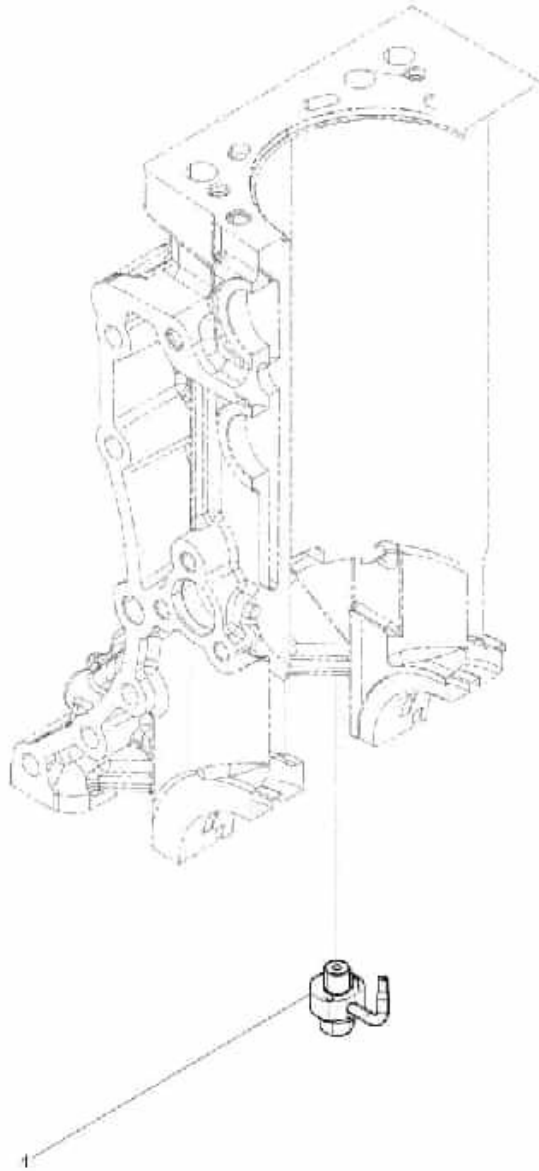
Number	Part Number	Name	Quantity
1	612600013581	Bowl Plug	12
2	1003151167	Cylinder Block	1
3	1014503444	Main Bearing Bolt	14
4	1001041415	Crankcase	1
5	612639000093	Parallel Pin with Internal Thread	3
6	612630010075	Camshaft Bush	1
7	61560010029	Camshaft Bush	6
8	612600013583	Bowl Plug	6

1000076315 Oil Seal Group



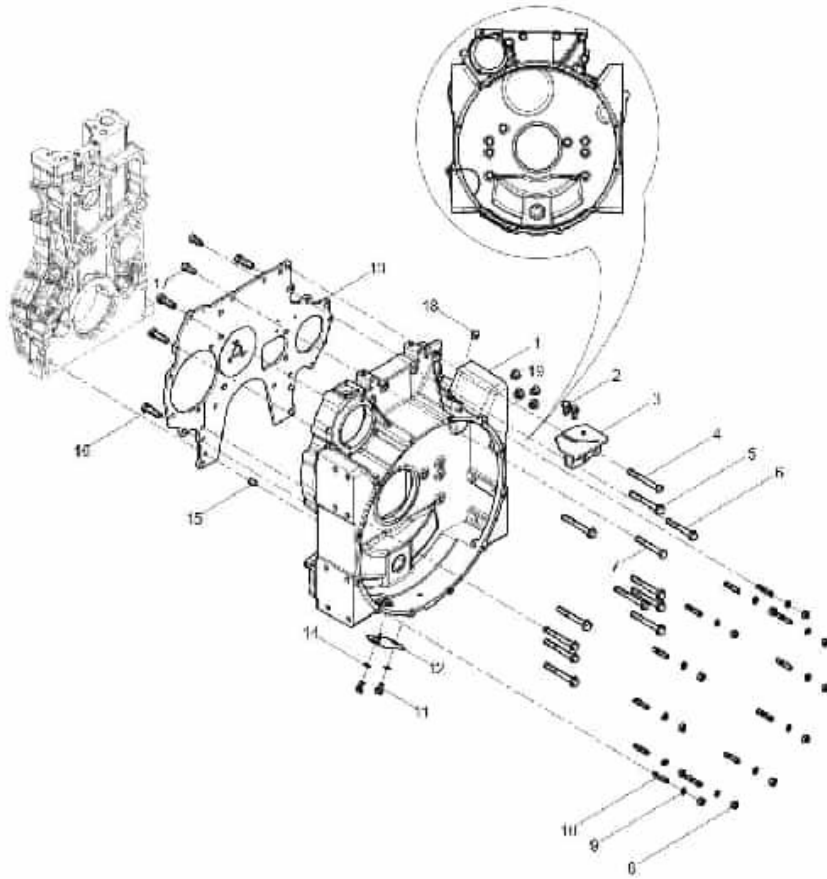
Number	Part Number	Name	Quantity
1	1002052027	Front Oil Seal	1
2	1001994648	Rear Oil Seal	1

GRP123010069 Spray Nozzle Group



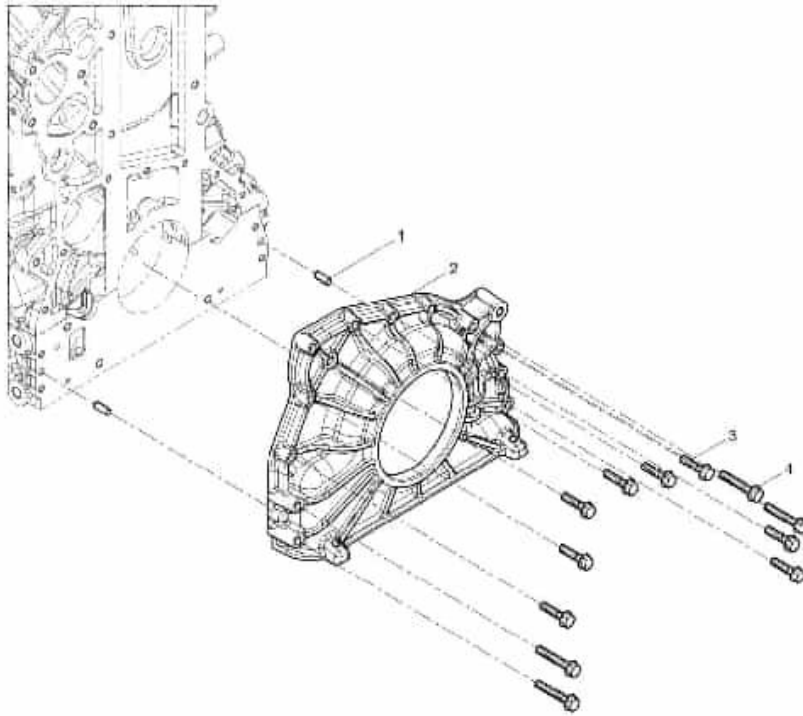
Number	Part Number	Name	Quantity
1	612630010173	Piston Nozzle Set	1

1002194480 Flywheel Housing Group



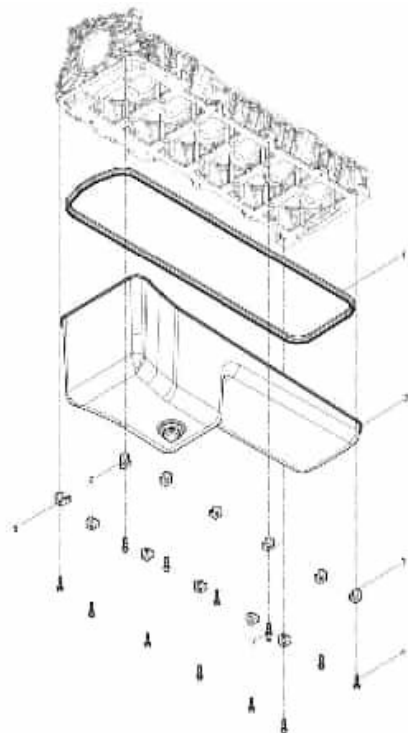
Number	Part Number	Name	Quantity
1	1000295905	Flywheel Housing	1
2	90011400033	Hexagon Flange Bolt	2
3	1001009015	Exhaust Manifold Bracket	1
4	9000001127	Hexagon Head Bolt	1
5	90011400060S	Hexagon Flange Bolt	10
6	90011400061S	Hexagon Flange Bolt	1
7	90003800751S	Hexagon Head Bolt	1
8	90003871305	Hexagon Nut	12
9	90003931122	Spring Washer	12
10	90003813537	Double End Stud	12
11	612630030065	Handhole Cover	1
12	90003802511	Hexagon Head Bolt	2
13	1000434272	Flywheel Housing Plate	1
14	90003932024	Wave spring washer	2
15	90003901604	Cylindrical pin	1
16	90003800619S	Hexagon Head Bolt	4
17	90003862427	Inner Hexagon Socket Head Cap Screw	2
18	13035654	Cover	1
19	9000000890	Hexagon Screw Plug	4

100075142 Front End Cover Group



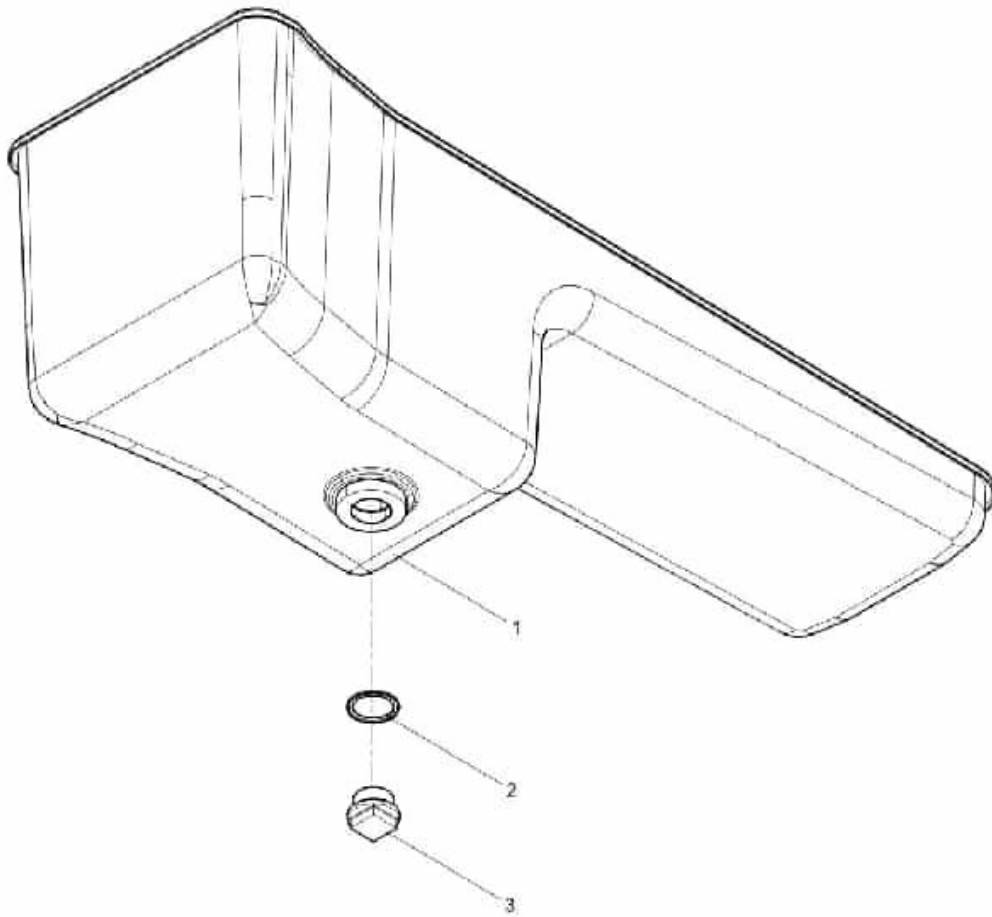
Number	Part Number	Name	Quantity
1	90003901420	Cylindrical pin	2
2	612630010418	Front Cap	1
3	612639000084S	Hexagon Flange Bolt	8
4	612639000085S	Hexagon Flange Bolt	4

1001770337 Oil Pan Group



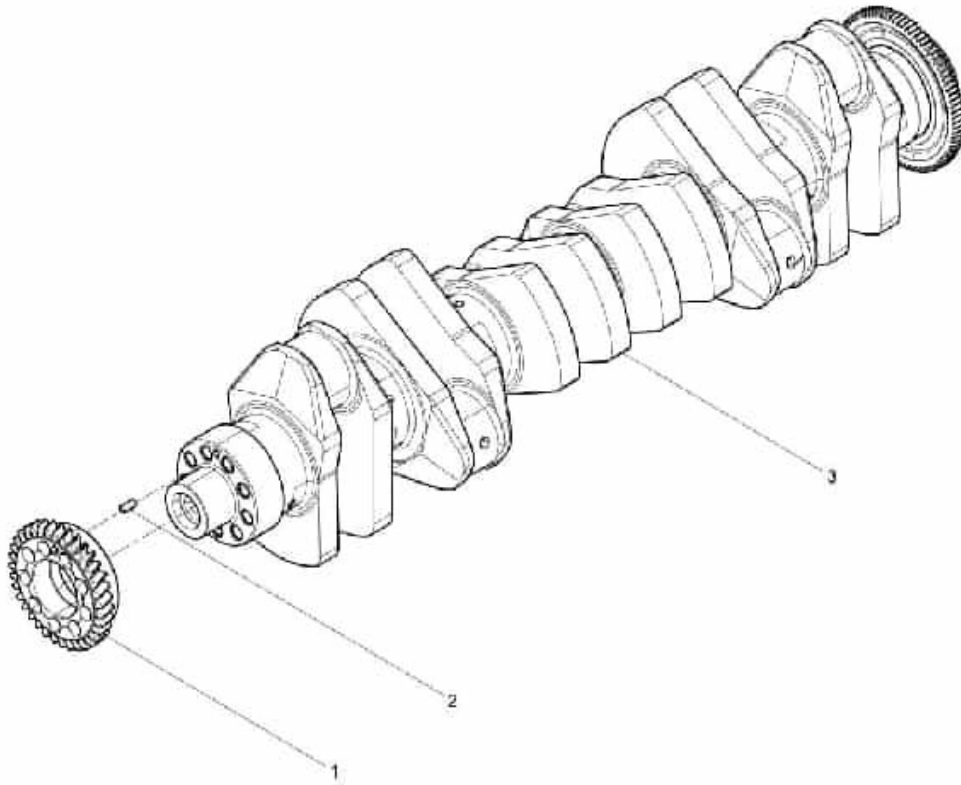
Number	Part Number	Name	Quantity
1	612630010065	Washer	1
2	612600150367	Oil Pan Assembly	1
3	614150046	Retainer of Oil Pan	10
4	90011400039	Hexagon Flange Bolt	11
5	612630010419	Retainer of Oil Pan	1
6	612630010420	Retainer of Oil Pan	1
7	1001592681	Back-up Block	1

612600150367 Oil Pan Assembly



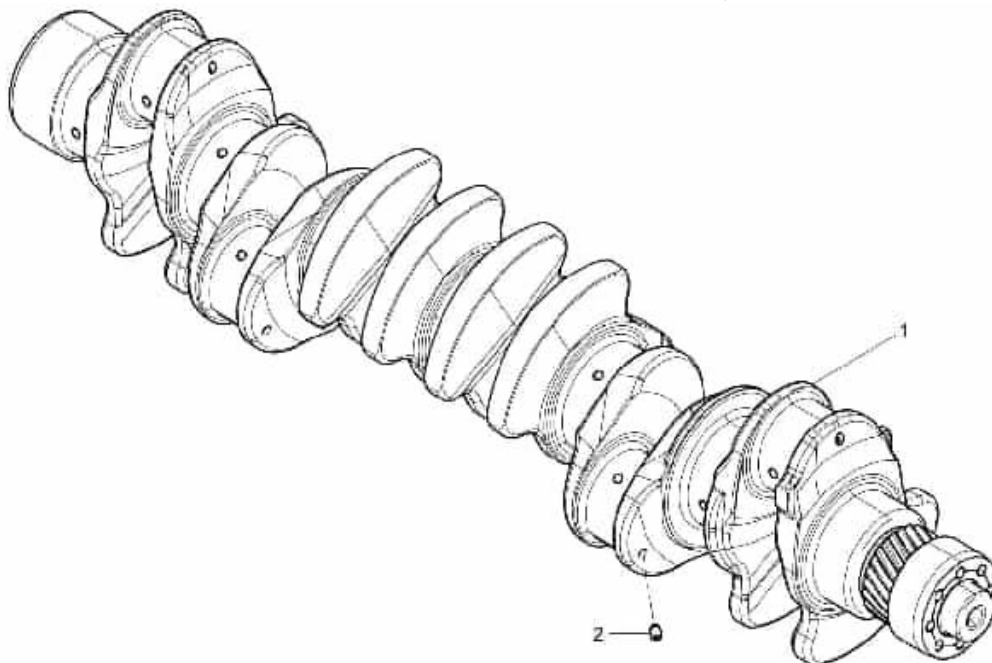
Number	Part Number	Name	Quantity
1	612630010471	Oil Pan	1
2	1001063409	Assembled Sealing Washer	1
3	1000665161	Oil Drain Screw Plug	1

1000951412 Crankshaft Group



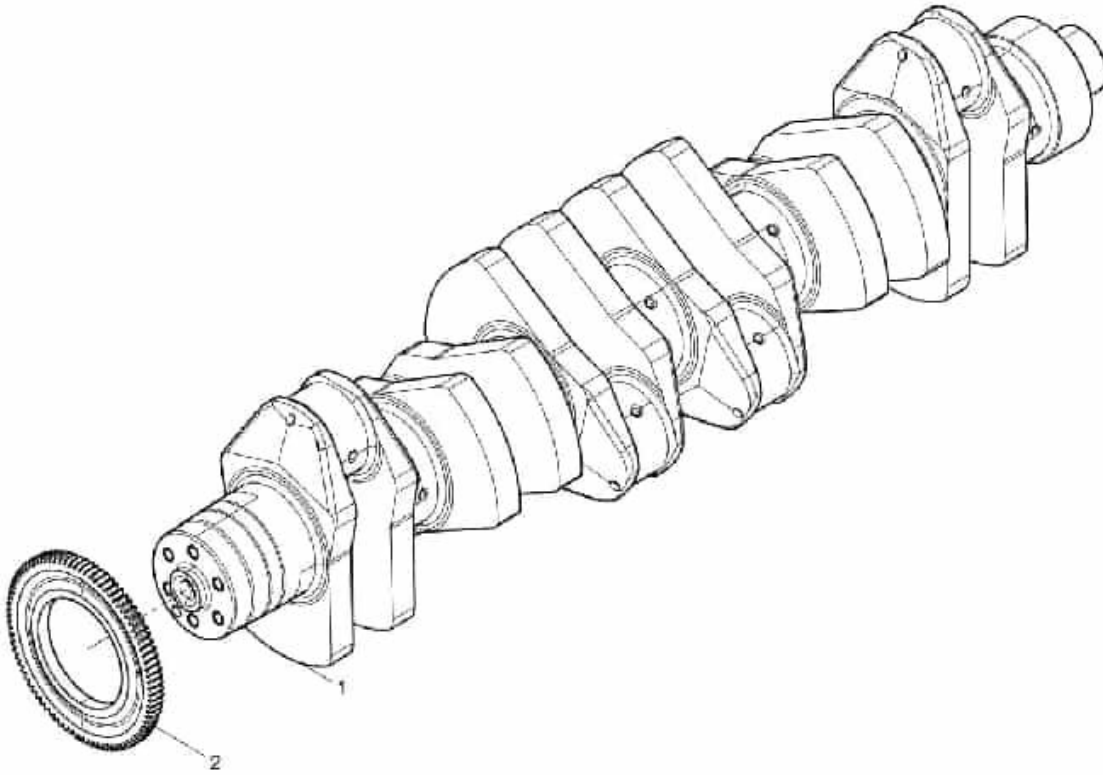
Number	Part Number	Name	Quantity
1	612630020123	Crankshaft Timing Gear	1
2	90003901418	Cylindrical pin	1
3	1006463298	Crankshaft Assembly	1

006463298 Crankshaft Assembly



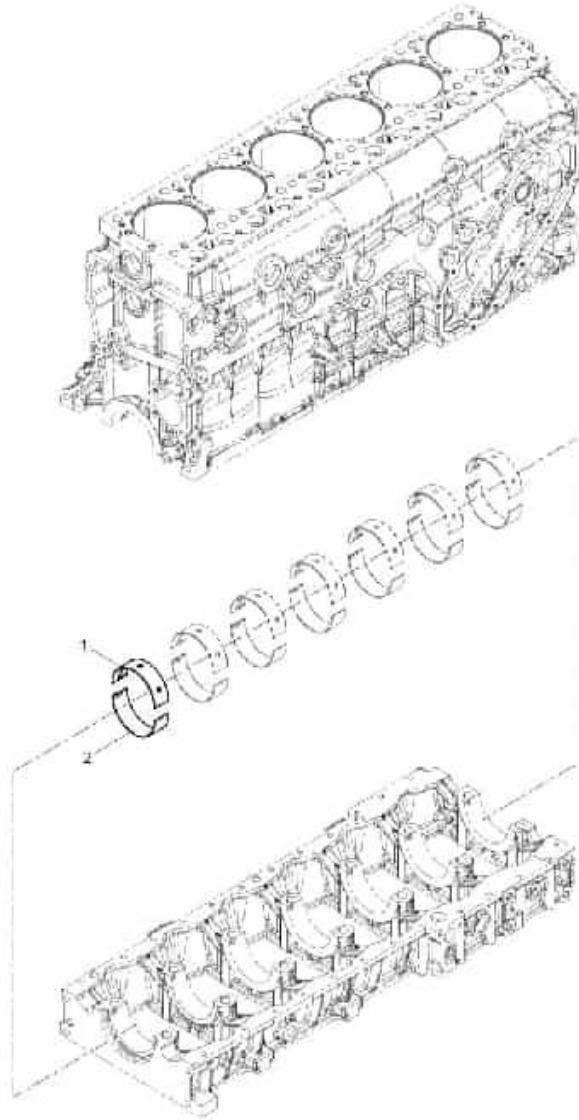
Number	Part Number	Name	Quantity
1	1000588587	Crankshaft Subassembly	1
2	612600020311	Pulling Rivet	6

1000588587 Crankshaft Subassembly



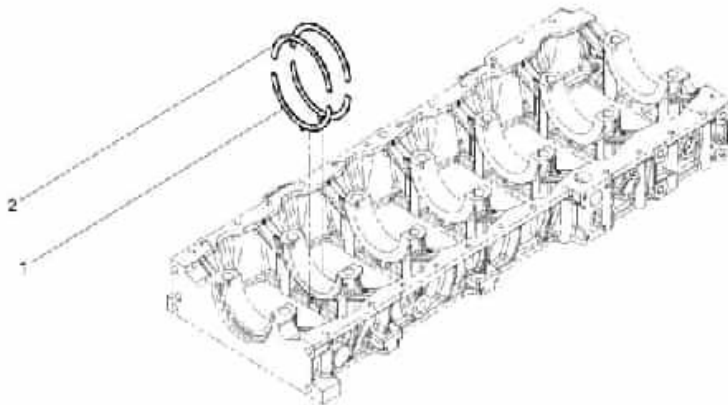
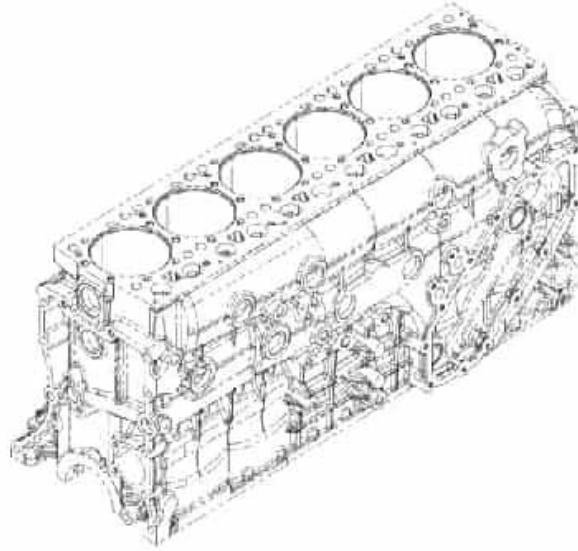
Number	Part Number	Name	Quantity
1	1000196429	Crankshaft	1
2	612630020008	Oil Pump Gear	1

GRP13010054 Main Bearing Group



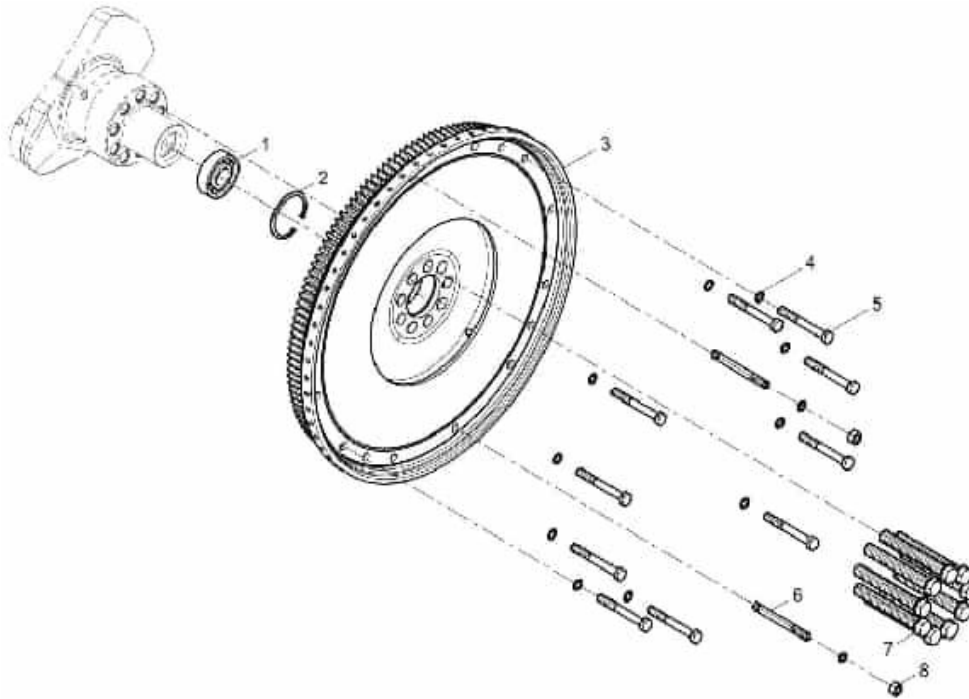
Number	Part Number	Name	Quantity
1	612630010591	Main Bearing Upper Shell	1
2	612700010150	Main Bearing Lower Shell	1

GRP123010068 Thrust Plate Group



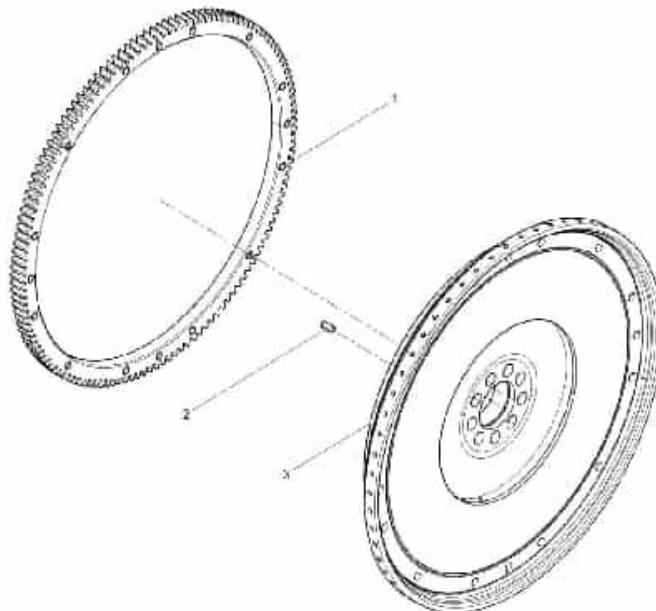
Number	Part Number	Name	Quantity
1	612630010630	Lower Thrust Plate	2
2	612630010629	Upper Thrust Plate	2

GRP13020018 Flywheel Group



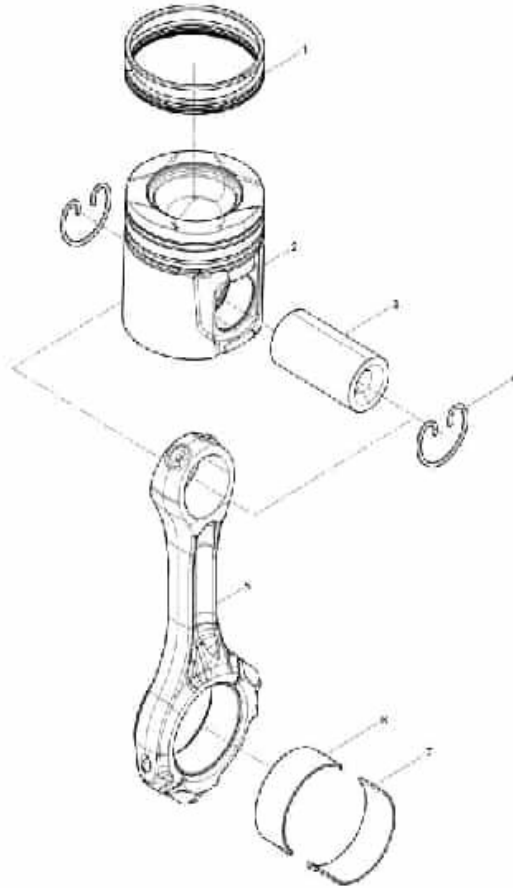
Number	Part Number	Name	Quantity
1	1003500131	Deep groove ball bearing	1
2	90003934310	Hole elastic retaining ring	1
3	612630020209	Flywheel Assembly	1
4	90003932024	Wave spring washer	12
5	90003800579	Hexagon Head Bolt	10
6	90003813571	Double End Stud	2
7	612630020130	Flywheel Bolt	9
8	90003871305	Hexagon Nut	2

612630020209 Flywheel Assembly



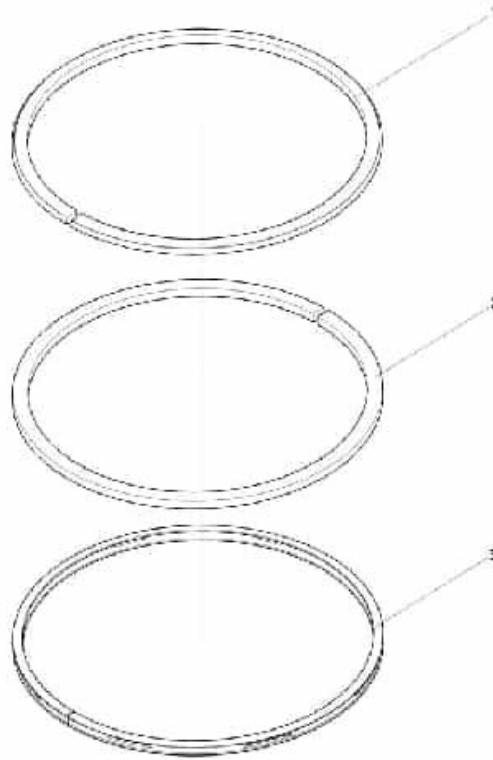
Number	Part Number	Name	Quantity
1	612600020208	Flywheel Ring Gear	1
2	90003901418	Cylindrical pin	1
3	612630020208	Flywheel	1

1000104991 Piston and Connecting Rod Group



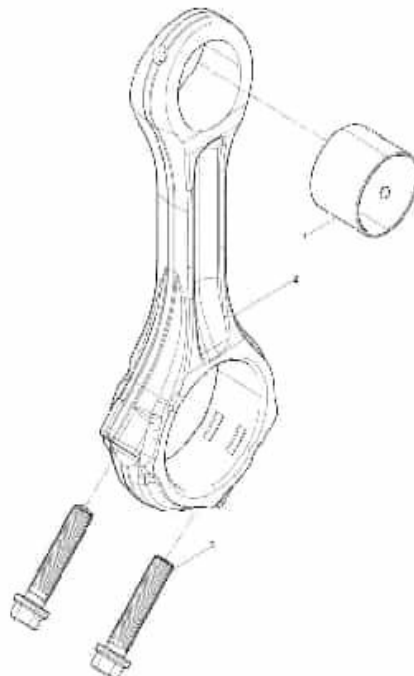
Number	Part Number	Name	Quantity
1	612600030054	Piston Ring Set	1
2	1000076563	Piston	1
3	612630020025	Piston Pin	1
4	612630020029	Piston Pin Retainer	2
5	612640020020	Connecting Rod Assembly	1
6	612600030069	Connecting Rod Upper Shell	1
7	612630020018	Connecting Rod Lower Shell	1

612600030054 Piston Ring Set



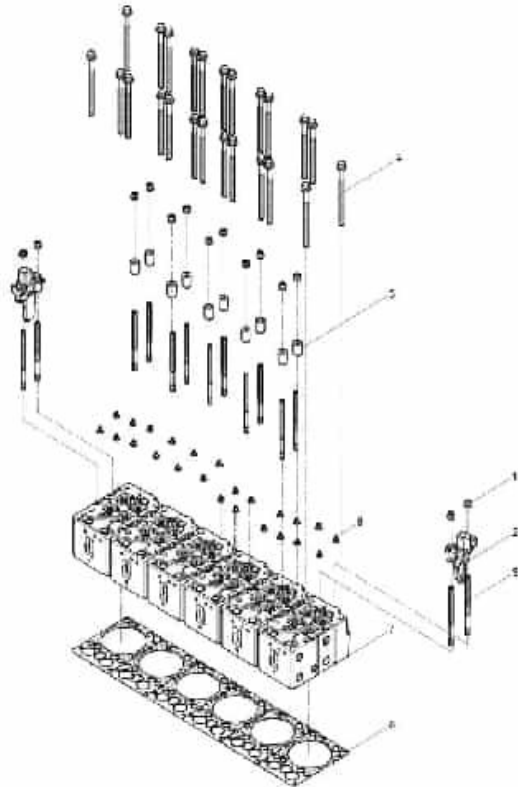
Number	Part Number	Name	Quantity
1	612630020026	Keystone Ring	1
2	612630020027	Taper Ring	1
3	612630020028	Coil Spring Loaded Oil-control Ring	1

612640020020 Connecting Rod Assembly



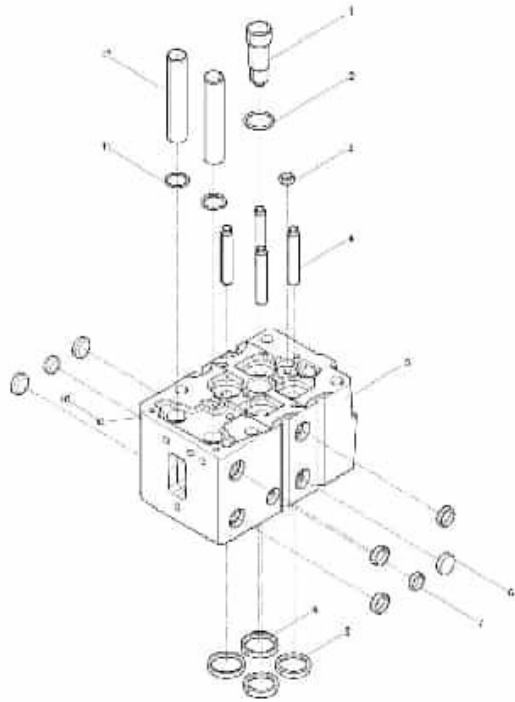
Number	Part Number	Name	Quantity
1	1001094476	Connecting Rod Bush	1
2	612640020021	Connecting Rod	1
3	612630020214	Connecting Rod Bolt	2

1007227983 Cylinder Head Group



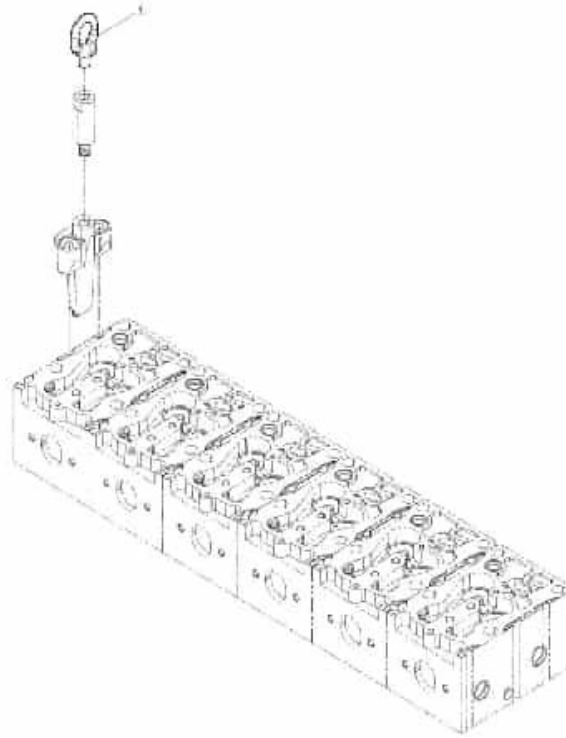
Number	Part Number	Name	Quantity
1	61200040034	Cylinder Head Nut	14
2	612630040010	Lifting Clamp	2
3	1003596065S	Secondary Blots of Cylinder Head	14
4	1005328196	Cylinder Head Bolt	24
5	1000695371	Clamp	10
6	1000549569	Valve Stem Seal	24
7	1014857474	Cylinder Head Subassembly	6
8	1005000997	Cylinder Head Gasket	6

1014857474 Cylinder Head Subassembly



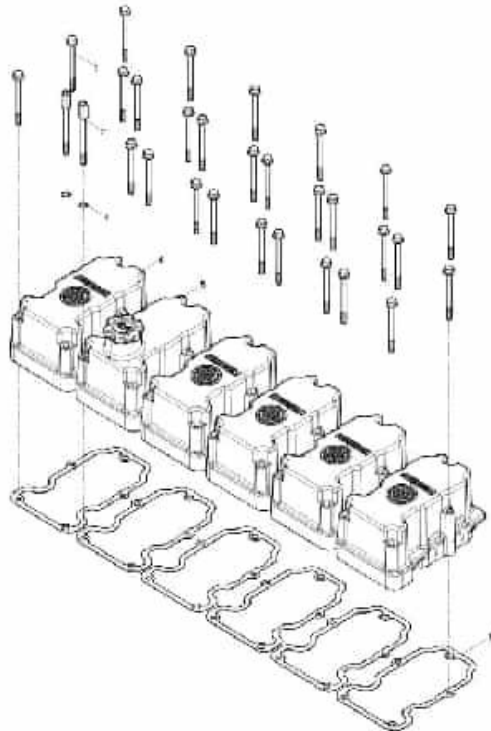
Number	Part Number	Name	Quantity
1	612630040026	Injector Bush	1
2	1004257065	Injector Bush Sealing Ring	1
3	612600040639	Bowl Plug	1
4	612630040181	Intake Valve Guide	4
5	1007877682	Cylinder Head	1
6	612600040634	Bowl Plug	6
7	612600040633	Bowl Plug	2
8	612630040076	Exhaust Valve Seat	2
9	612630040075	Intake Valve Seat	2
10	612600040228	Pulling Rivet	1
11	612630040028	Seal ring	2
12	1003405748	Push Rod Bush	2

1000072553 Lift Lug Group



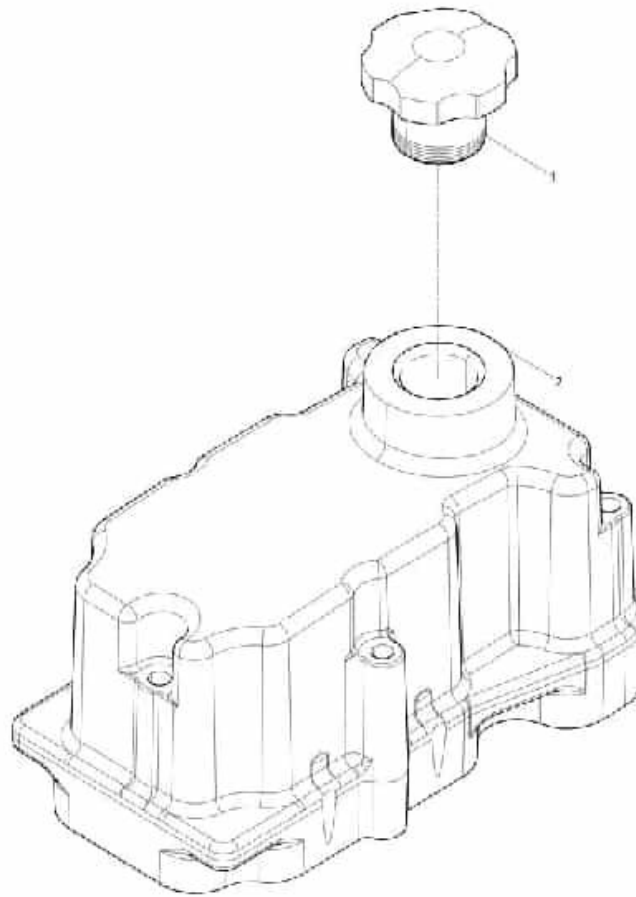
Number	Part Number	Name	Quantity
1	614010388	Lifting Screw	1

1001925203 Cylinder Head Cover Group



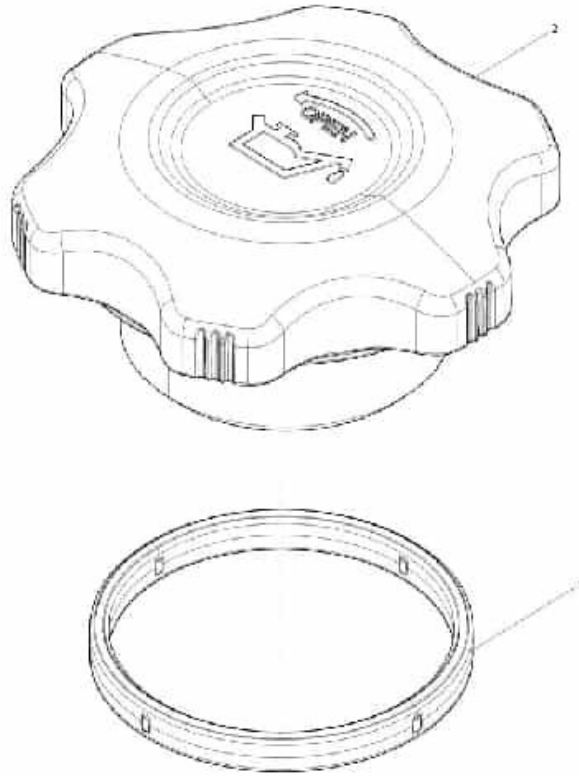
Number	Part Number	Name	Quantity
1	612630040144	Hexagon Flange Bolt	28
2	612600070231	Back-up Block	2
3	90003932023	Wave spring washer	2
4	612630040005	Cylinder Head Cover	5
5	1001167541	Cylinder Head Cover Assembly	1
6	612630040007	Cylinder Head Cover Gasket	6

1001167541 Cylinder Head Cover Assembly



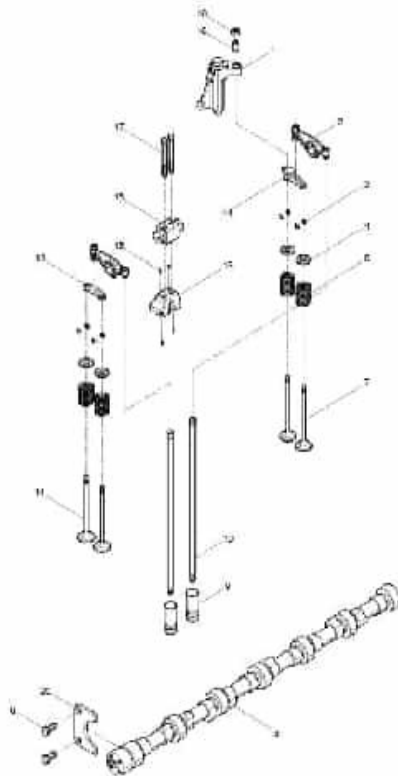
Number	Part Number	Name	Quantity
1	1004020407	Oil Filler Cover Assembly	1
2	1001073780	Cylinder Head Cover	1

1004020407 Oil Filler Cover Assembly



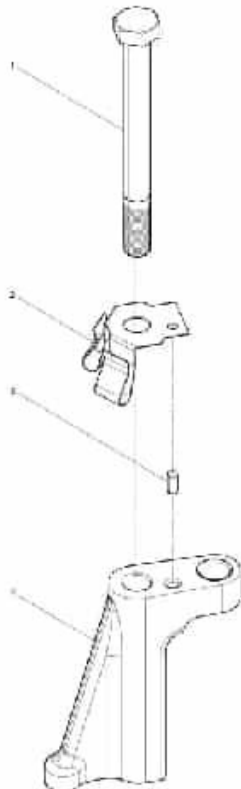
Number	Part Number	Name	Quantity
1	1000101895	Seal ring	1
2	1004020402	Oil Filler Cap	1

1000072478 Valve Train Group



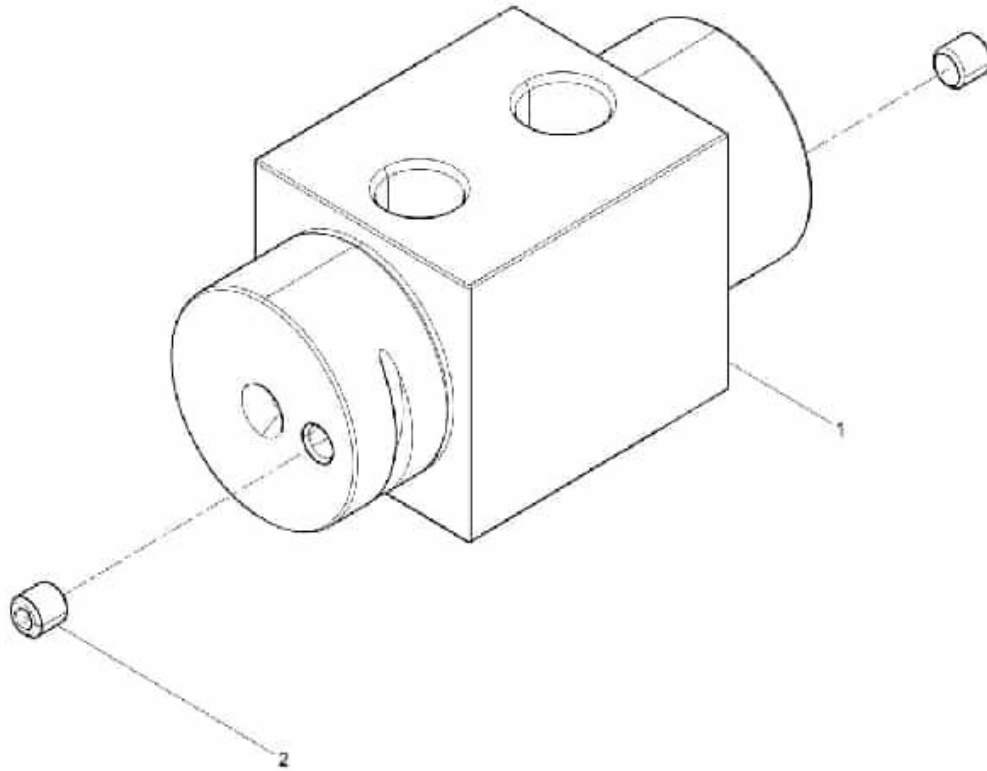
Number	Part Number	Name	Quantity
1	612630050147	EVB Bracket Assembly	6
2	1000881645	Rocker Arm Set	12
3	612630050015	Valve Collet	48
4	612630050014	Valve Spring Top Retainer	24
5	612630050005	Valve Spring	24
6	90003802443S	Hexagon Head Bolt	2
7	612630050002	Exhaust Valve	12
8	612630050061	Camshaft Assembly	1
9	612630050100	Tappet	12
10	1001454037	Push Rod	12
11	612630050146	Intake Valve	12
12	1001243202	Valve Bridge	6
13	612630050013	Rocker Arm Bracket Assembly	6
14	1000495068	EVB Valve Bridge Assembly	6
15	612639000087	Cylindrical pin	30
16	612630050018	Rocker Arm Shaft Set	6
17	1000271249	Hexagon Head Bolt	12
18	612630050011	Adjusting Bolt	6
19	612630050012	Adjusting Nut	6
20	612630030002	Camshaft Thrust Plate	1

612630050147 EVB Bracket Assembly



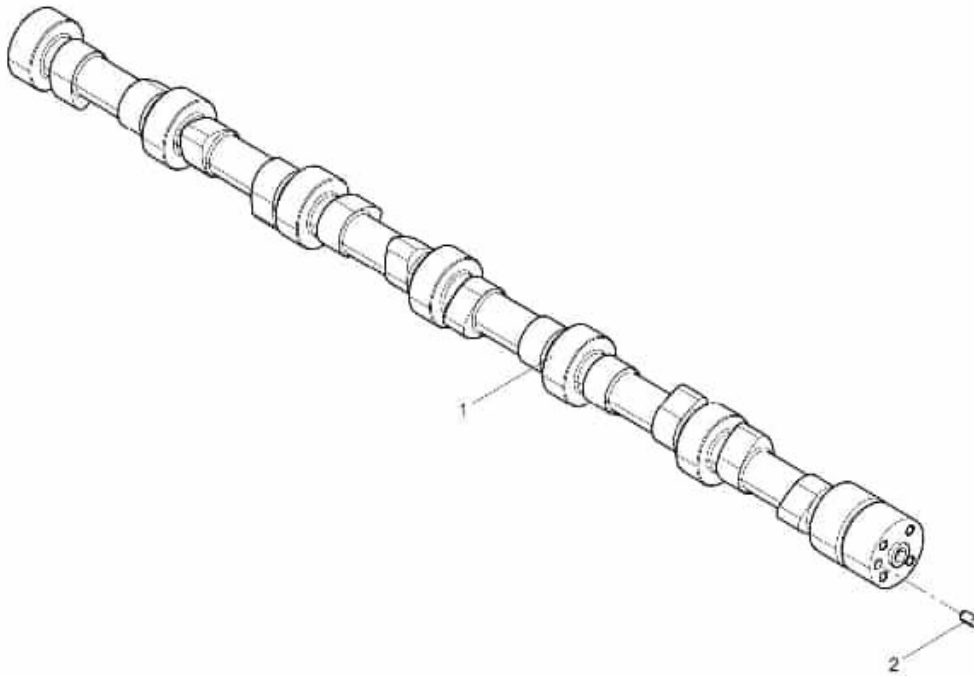
Number	Part Number	Name	Quantity
1	612639000066	Bolt	1
2	612630040052	Harness Bracket	1
3	612639000087	Cylindrical pin	1
4	612630050010	EVB Bracket	1

612630050018 Rocker Arm Shaft Set



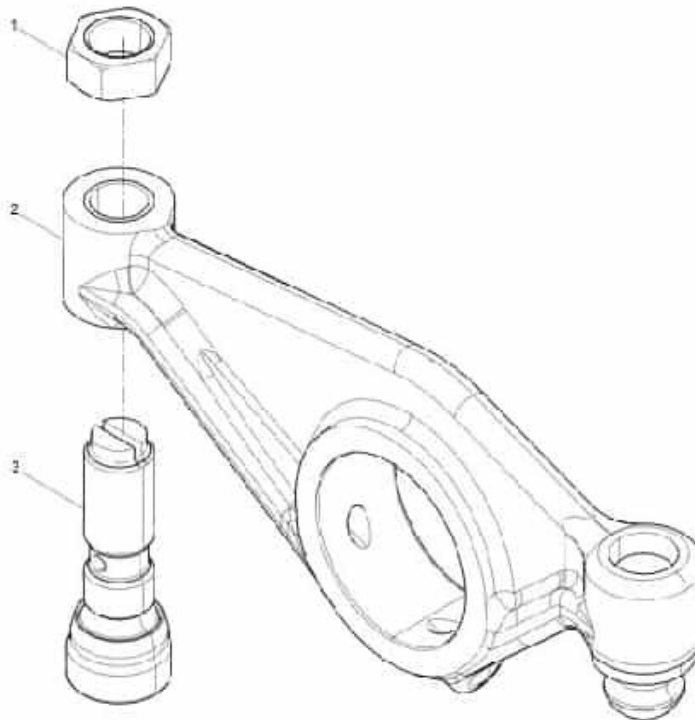
Number	Part Number	Name	Quantity
1	612630050030	Rocker Arm Shaft	1
2	612639000065S	Screw	2

612630050061 Camshaft Assembly



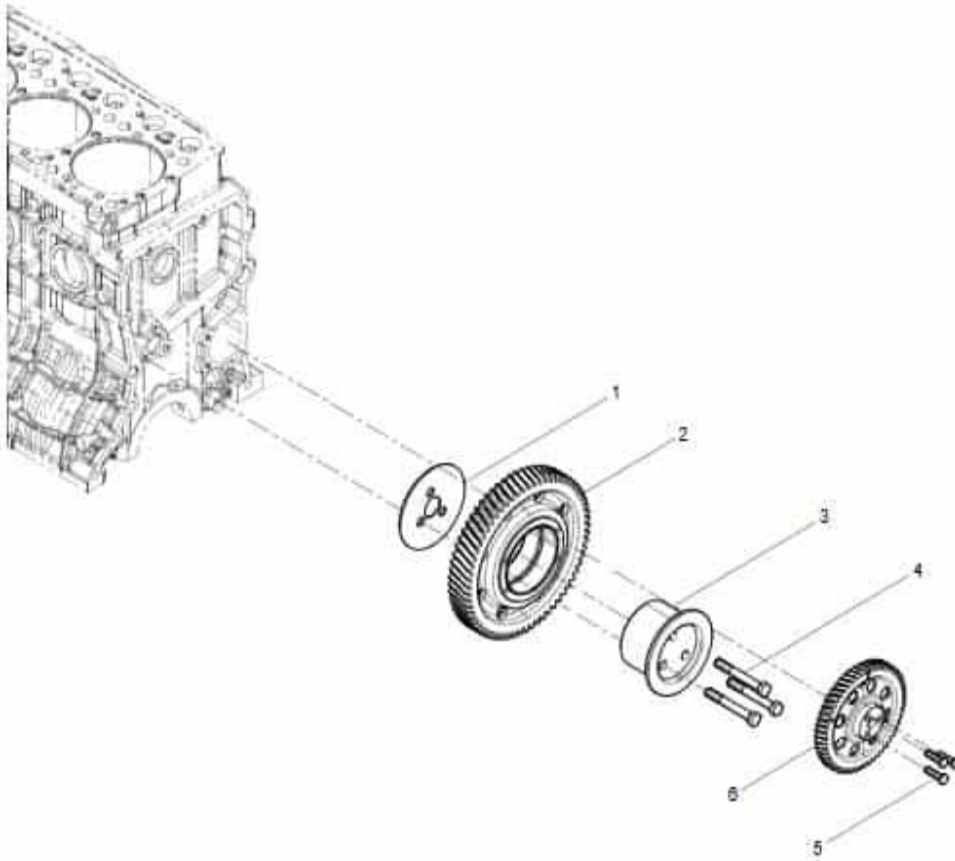
Number	Part Number	Name	Quantity
1	612630050051	Camshaft	1
2	612639000061	Cylindrical pin	1

1000881645 Rocker Arm Set



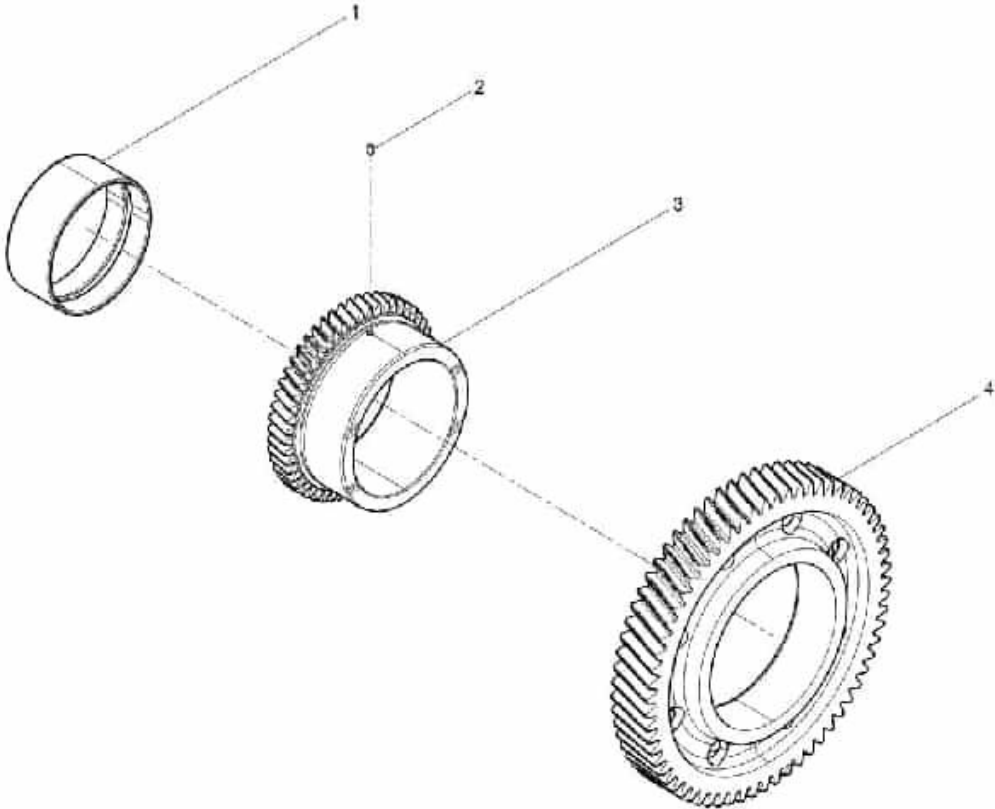
Number	Part Number	Name	Quantity
1	1000137287	Locknut	1
2	1000495390	Rocker Arm Assembly	1
3	1000878258	Adjusting Bolt	1

1000135775 Gear Drive Group



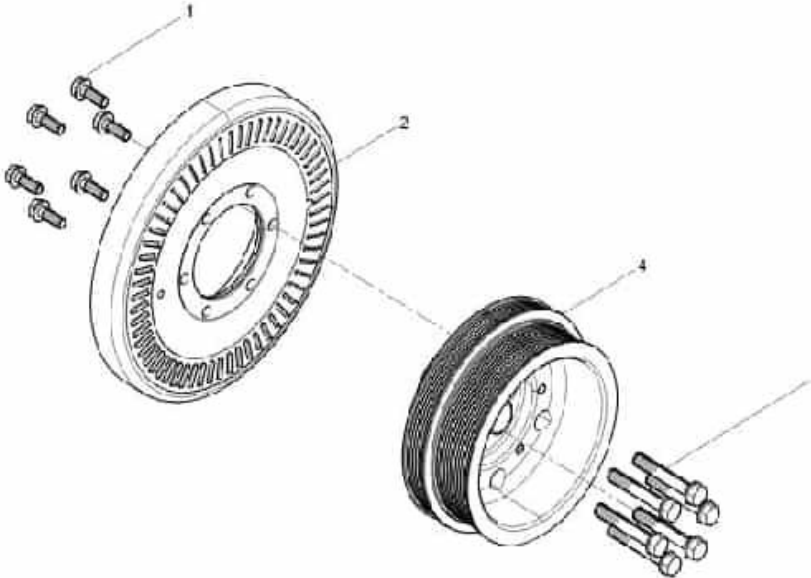
Number	Part Number	Name	Quantity
1	612630030020	Baffle Board	1
2	612630030150	Idler Gear Assembly	1
3	612630030151	Idler Gear Shaft	1
4	90011290007S	Hexagon Head Bolt	3
5	90011350076S	Hexagon Head Bolt	3
6	612630030003	Camshaft Timing Gear	1

612630030150 Idler Gear Assembly



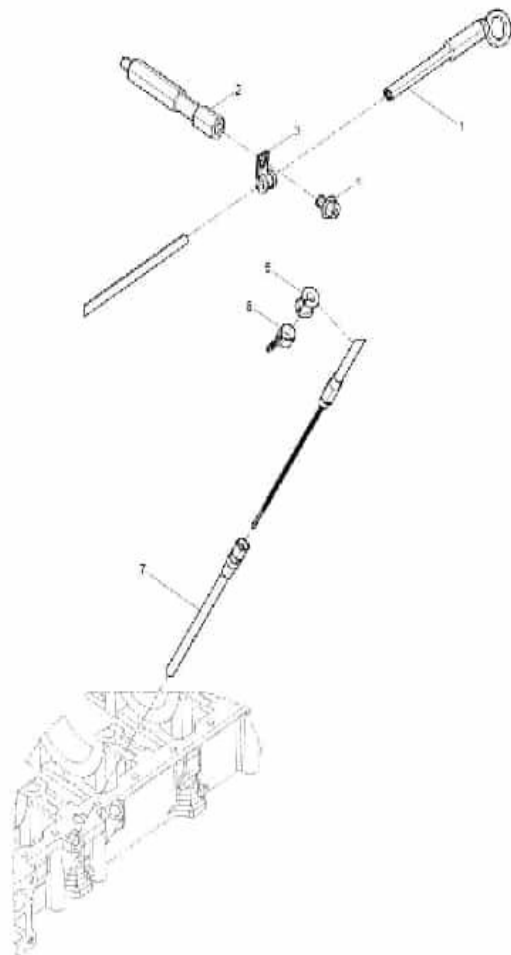
Number	Part Number	Name	Quantity
1	612630030148	Gear Bush	1
2	90015200021	Cylindrical pin	1
3	612630030147	Small Idle Gear	1
4	612630030146	Big Idle Gear	1

1004031025 Crankshaft Pulley Group



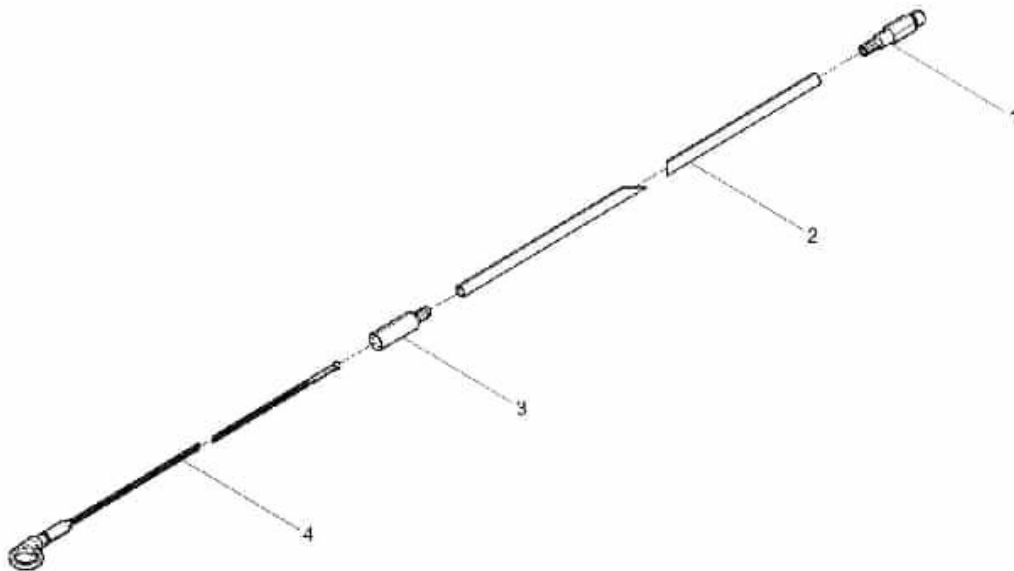
Number	Part Number	Name	Quantity
1	612630020362	Hexagon Flange Bolt	6
2	612630020342	Torsional Vibration Dampers	1
3	612630020009	Hexagon Flange Bolt	6
4	1000693759	Crankshaft Pulley	1

1001901752 Oil Dipstick Group



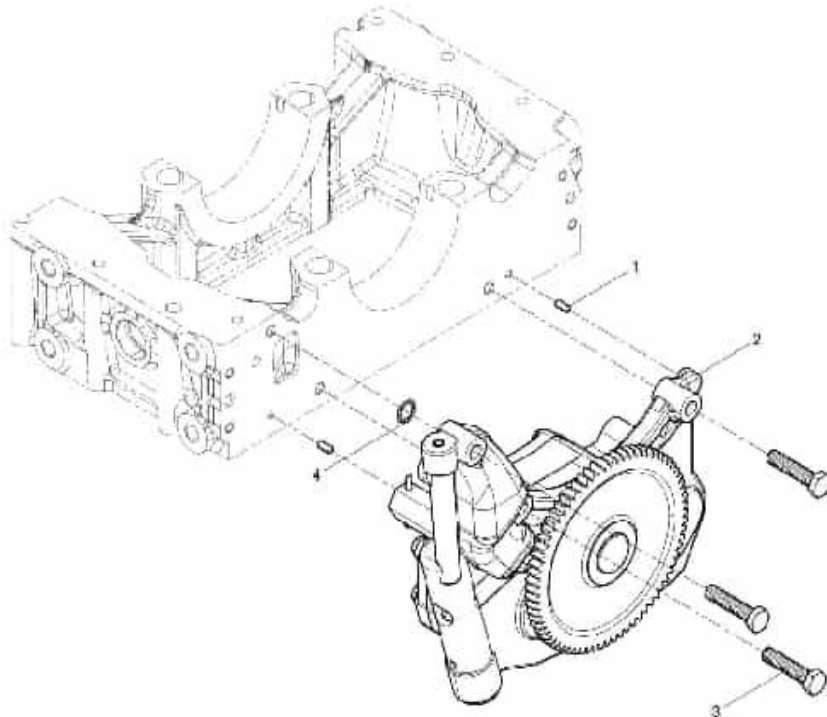
Number	Part Number	Name	Quantity
1	612600012064	Dipstick Assembly	1
2	1001867194	Back-up Block	1
3	610800110030	Pipe Clamp Assembly	1
4	9000000223	Hexagon Flange Bolt	1
5	612600010638	Rubber Hoop	1
6	612600010647	Single Pipe Clamp	1
7	612600010705	Dipstick Pipe Below Set	1

612600012064 Dipstick Assembly



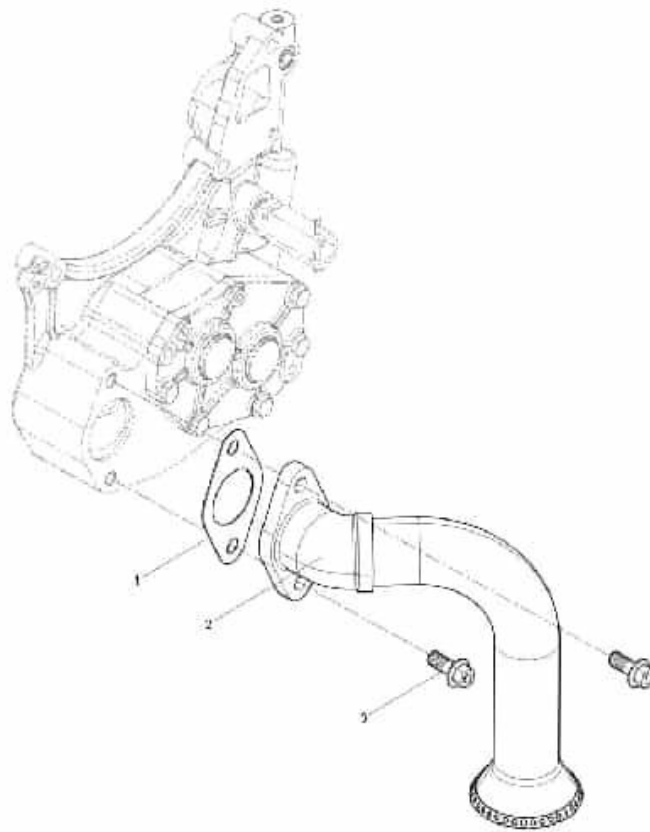
Number	Part Number	Name	Quantity
1	612600012058	Pipe	1
2	612600010007	Dipstick Pipe	1
3	612600012057	Dipstick Pipe Connector	1
4	612600012034	Dipstick	1

GRP123010073 Oil Pump Group



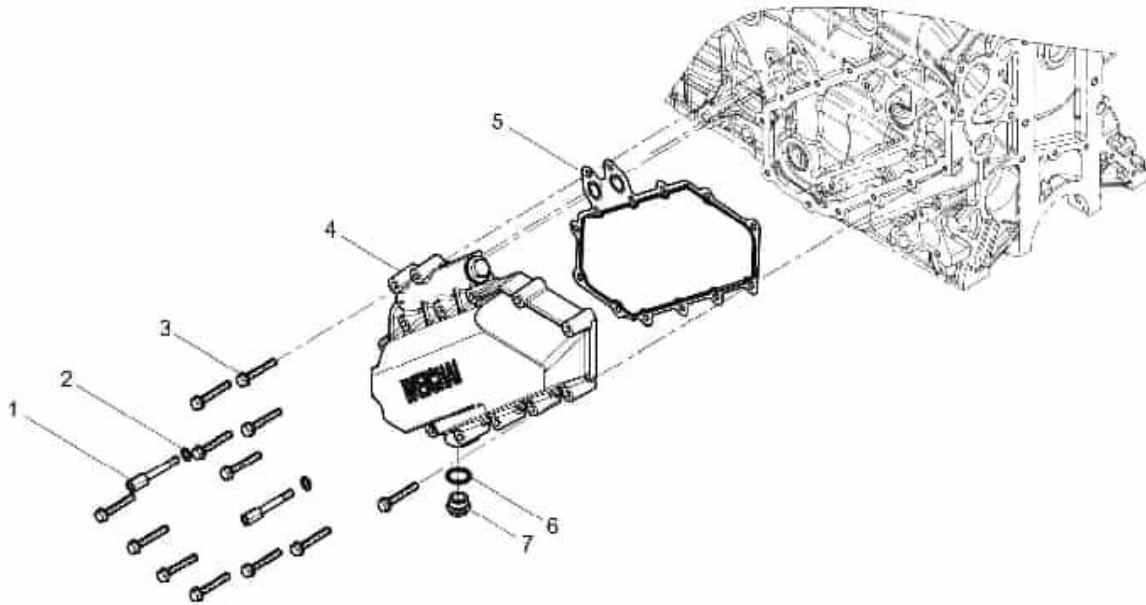
Number	Part Number	Name	Quantity
1	612639000013	Cylindrical pin	2
2	612630010256	Lubricating Oil Pump	1
3	612639000014S	Hexagon Head Bolt	3
4	612639000019	O-ring	1

GRP123010079 Oil suction strainer Group



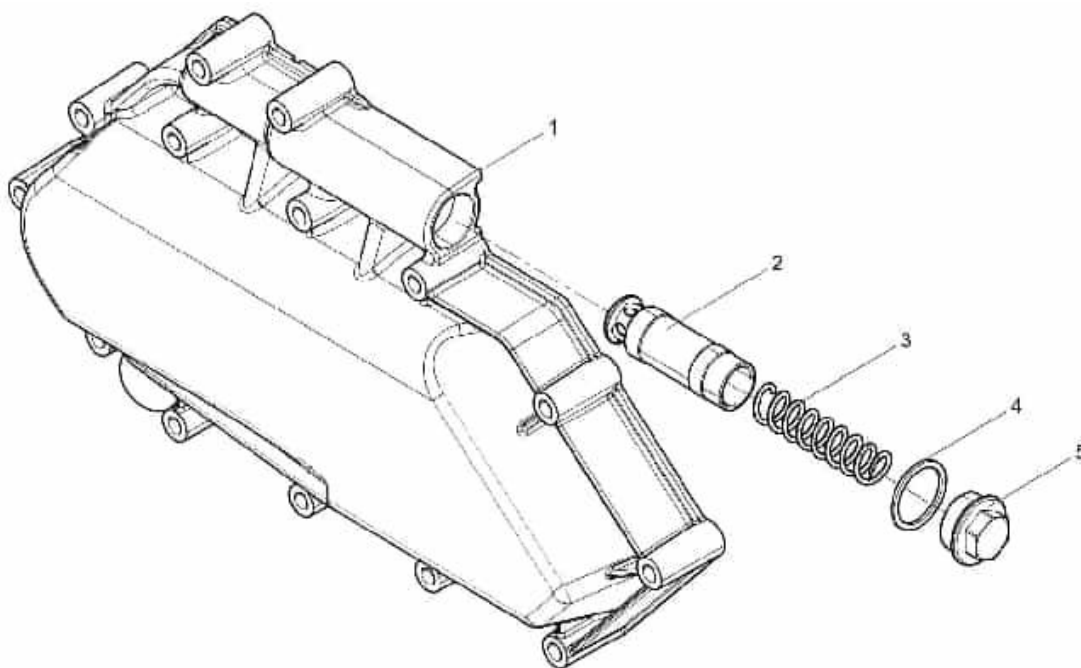
Number	Part Number	Name	Quantity
1	612600070355	Gasket	1
2	1001732112	Lubricating Oil Suction Strainer	1
3	9000000044S	Hexagon Flange Bolt	2

GRP123010378 Oil Cooler Cap Group



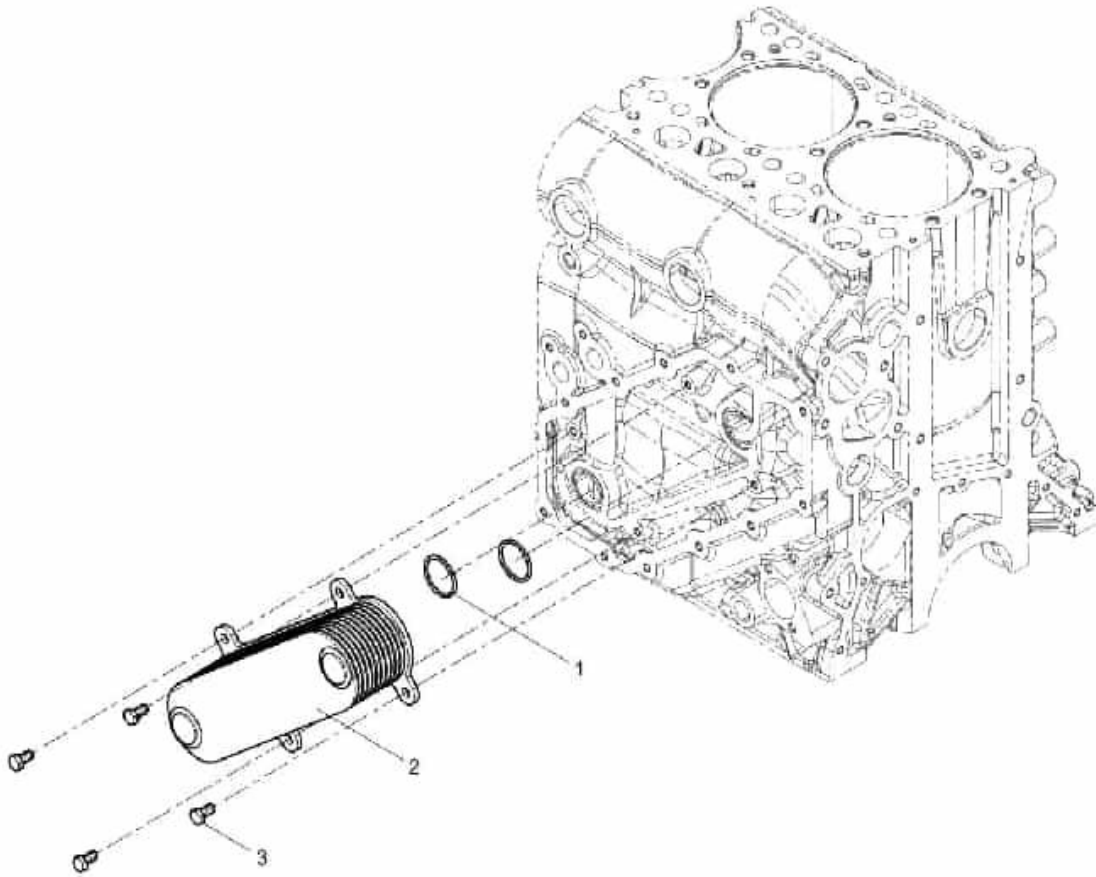
Number	Part Number	Name	Quantity
1	612600013554	Back-up Block	2
2	90003932023	Wave spring washer	2
3	612639000073	Hexagon Head Bolt	12
4	1003712805	Oil Cooler Cap Assembly	1
5	1002864964	Oil Cooler Cap Gasket	1
6	612630010382	Assembled Sealing Washer	1
7	612639000067	Screw Plug	1

1003712805 Oil Cooler Cap Assembly



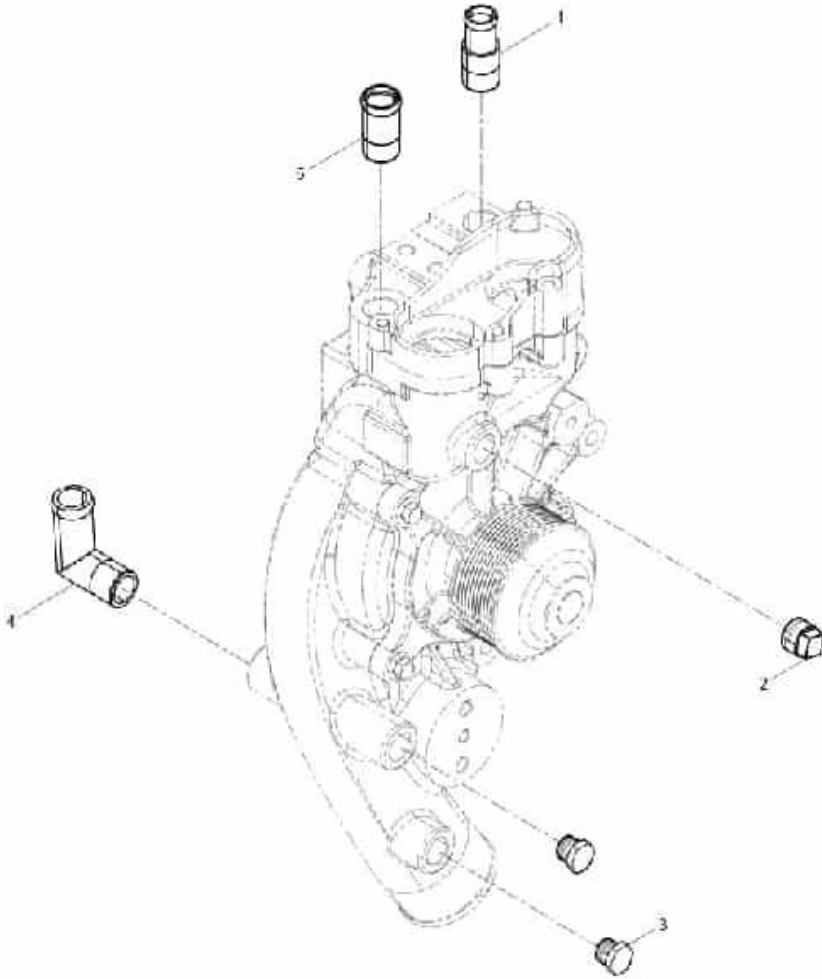
Number	Part Number	Name	Quantity
1	1003712818	Oil Cooler Cap	1
2	612630010052	Valve Body	1
3	612630010081	Return Spring	1
4	612639000069	Washer	1
5	612639000044	Screw Plug	1

GRP123010070 Oil cooler Group



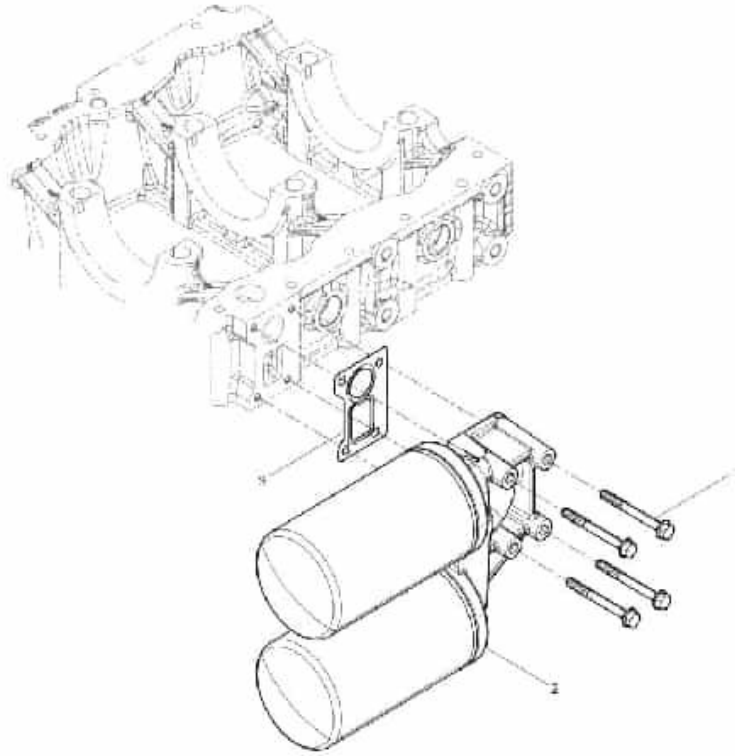
Number	Part Number	Name	Quantity
1	612630010107	O-ring	2
2	612630010050	Oil Cooler	1
3	90003802411S	Hexagon Head Bolt	4

GRP123060610 Water Pipe Joint Group



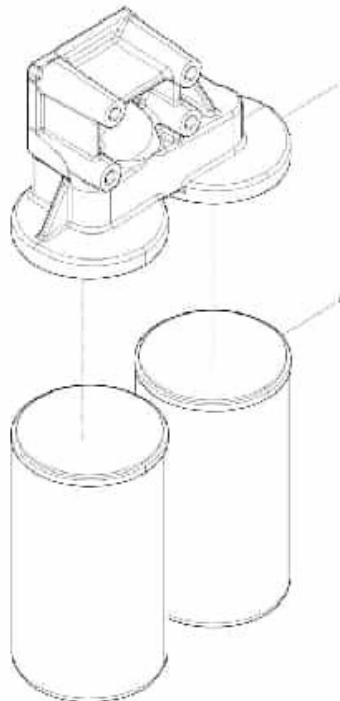
Number	Part Number	Name	Quantity
1	612630060161	Conversion Adapter	1
2	90017010007S	Square Taper Screw Plug	1
3	612630060467	Plug	2
4	1000595272	Water Pipe Connector	1
5	612630060034	Water Pipe Connector	1

GRP123010080 Oil Filter Group



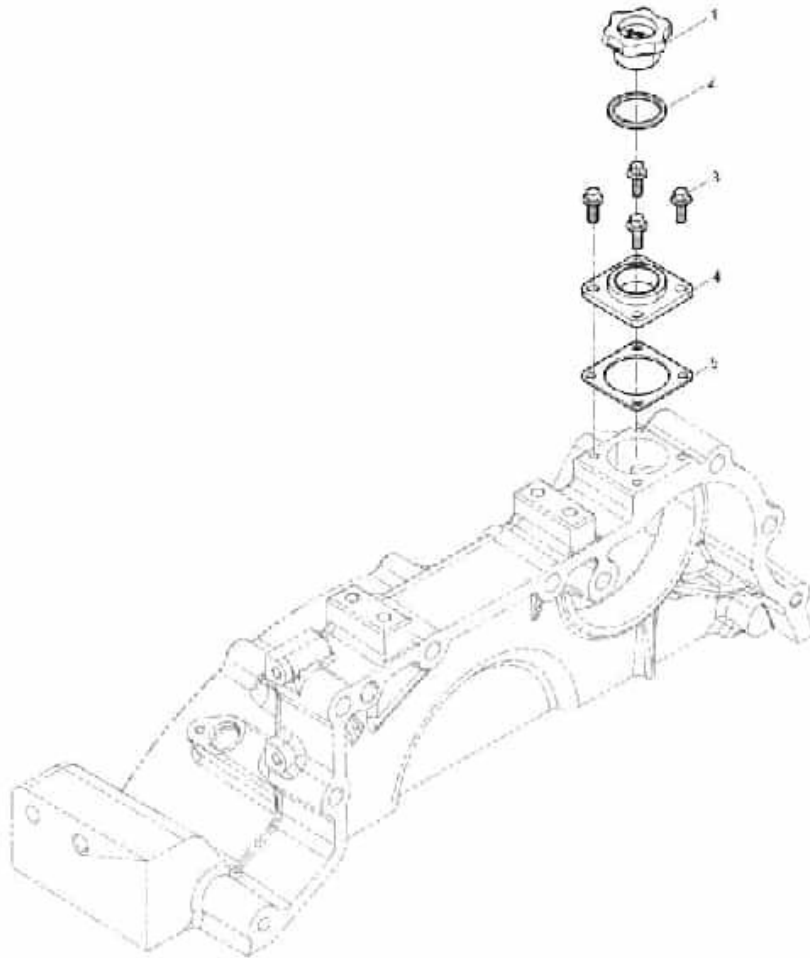
Number	Part Number	Name	Quantity
1	612639000078S	Hexagon Head Bolt	4
2	1000428261	Oil Filter	1
3	612630010660	Oil Filter Base Gasket	1

1000428261 Oil Filter



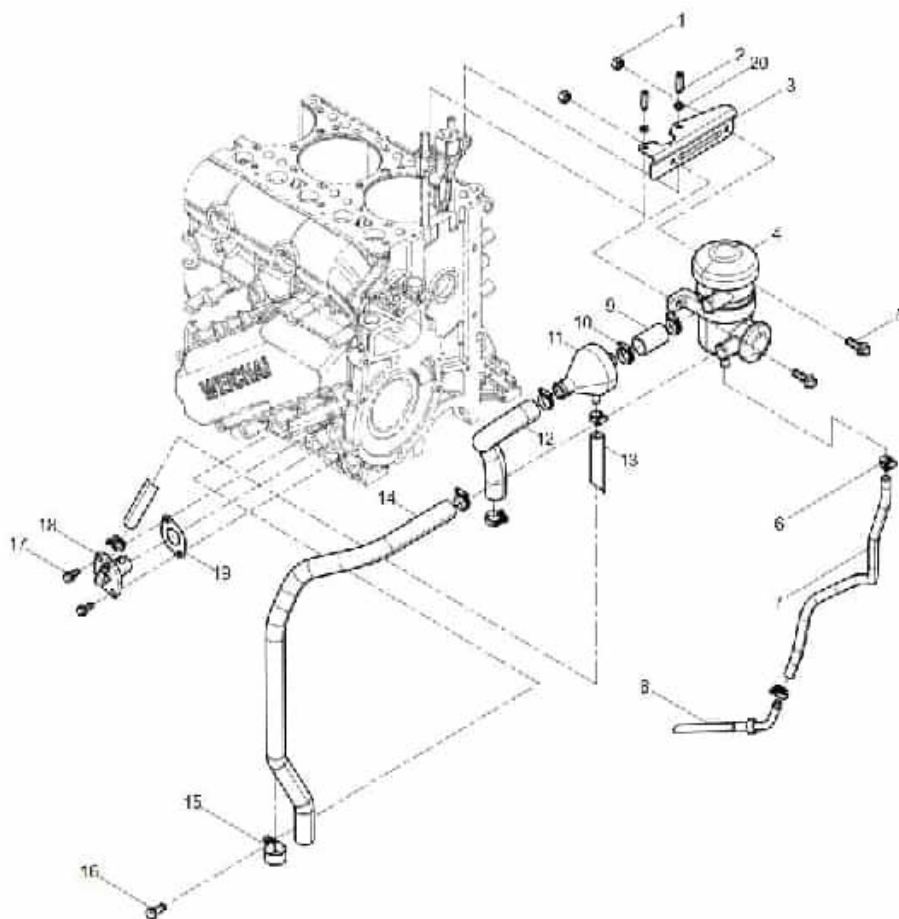
Number	Part Number	Name	Quantity
1	612630010056	Oil Filter Seat	1
2	1000428205	Filter Element	2

1001901966 Oil Filling Pipe Group



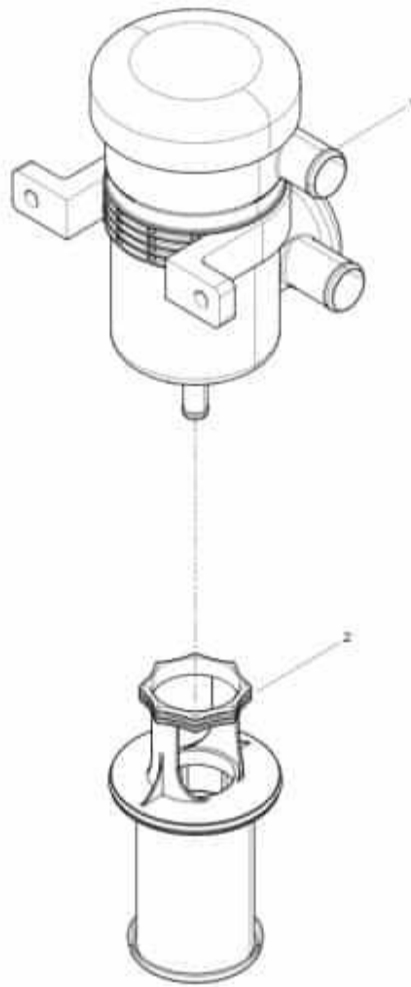
Number	Part Number	Name	Quantity
1	1002238165	Oil Filler Cap	1
2	90014420005	Assembled Sealing Washer	1
3	9000000328	Hexagon Flange Bolt	4
4	1000649752	Cover	1
5	612600013956	Gasket	1

1006241837 Oil-gas Separator Group



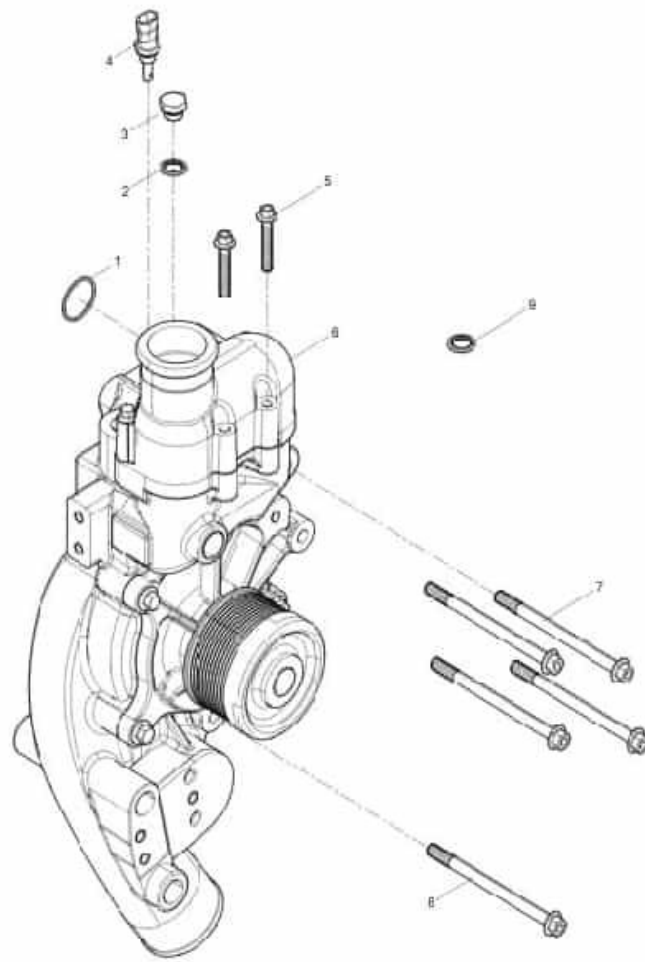
Number	Part Number	Name	Quantity
1	90003871252	Hexagon Nut	2
2	1000531136	Back-up Block	2
3	1000365412	Oil-gas Separator Bracket	1
4	612630060015	Oil-gas Separator	1
5	90011400020	Hexagon Flange Bolt	2
6	90003989300	Clamp	4
7	612630061000	Oil Connecting Rubber Pipe	1
8	1002490974	Oil-gas Separator Oil-return Pipe	1
9	612630060017	Oil Connecting Rubber Pipe	1
10	90003989301	Clamp	5
11	612630060758	Oil-gas Pre-separator	1
12	612630060761	Air Connecting Rubber Pipe	1
13	612630060756	Oil Connecting Rubber Pipe	1
14	612630061025	Oil Connecting Rubber Pipe	1
15	612630060591	Pipe Clamp	1
16	90003802402	Hexagon Head Bolt	1
17	9000000723	Hexagon Flange Bolt	2
18	612630040310	Pre-separator Oil-return Pipe	1
19	1001429877	Gasket	1
20	90014040007	flat washers	2

612630060015 Oil-gas Separator



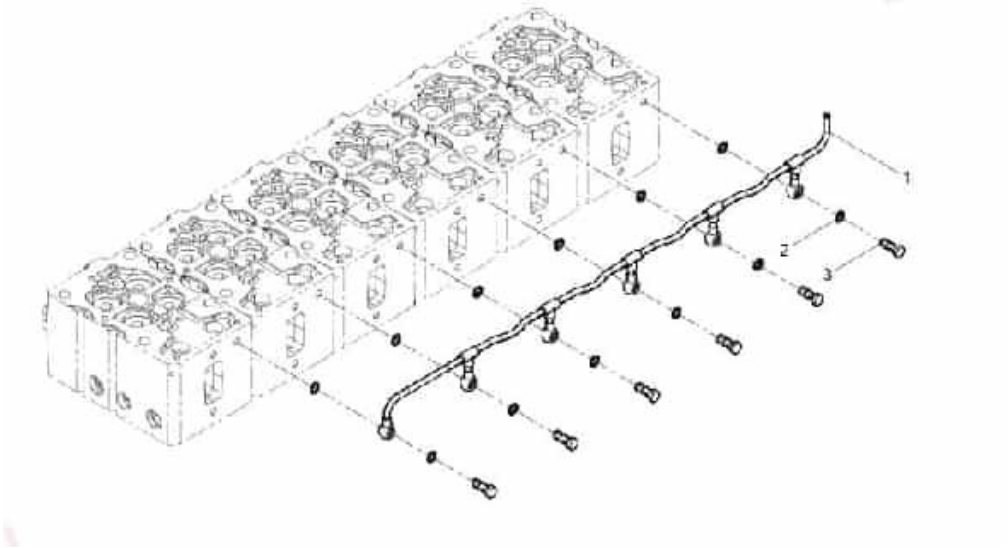
Number	Part Number	Name	Quantity
1	612630060620	Oil-gas Separator Shell Assembly	1
2	612630060138	Oil-gas Separator Element	1

1005547468 Water Pump Group



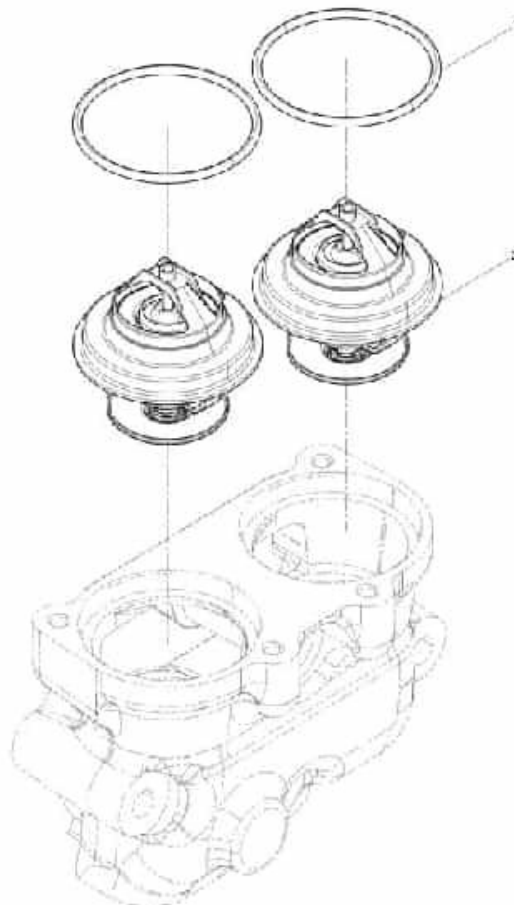
Number	Part Number	Name	Quantity
1	612630060056	Seal ring	1
2	1001251569	Assembled Sealing Washer	1
3	1001675556	Hexagon Screw Plug	1
4	1004914552	Temperature Sensor	1
5	90011420024	Hexagon Flange Bolt	2
6	1000693783	Water Pump	1
7	9000000590	Hexagon Flange Bolt	4
8	9000000641	Hexagon Flange Bolt	1

1001460294 Air Discharging Pipe Group



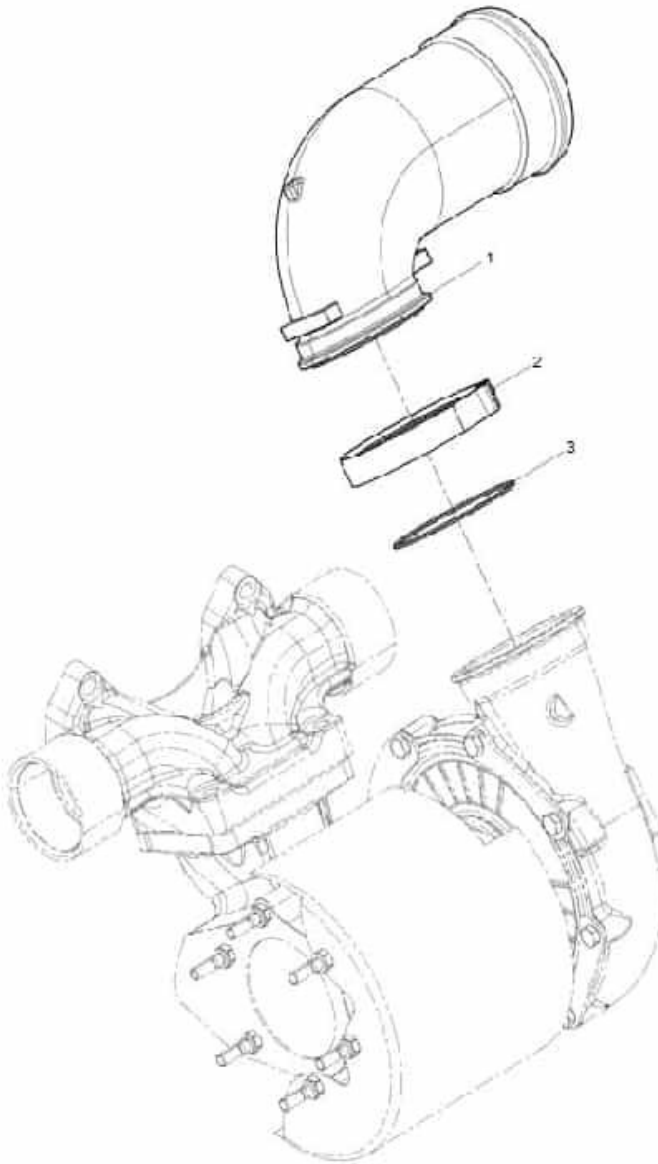
Number	Part Number	Name	Quantity
1	612630040128	Venting Pipe Assembly	1
2	1001063336	Assembled Sealing Washer	12
3	1007477599	Gemel Bolt	6

1000045088 Thermostat Group



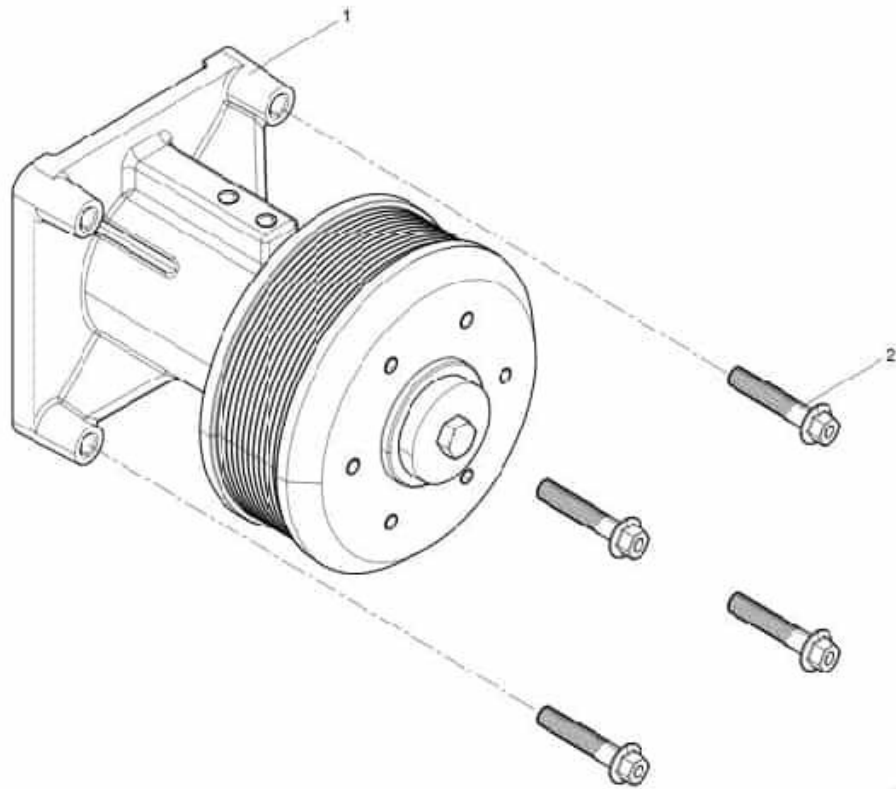
Number	Part Number	Name	Quantity
1	612630060067	Seal ring	2
2	610800060597	Thermostat	2

GRP123120049 Intercooler Group



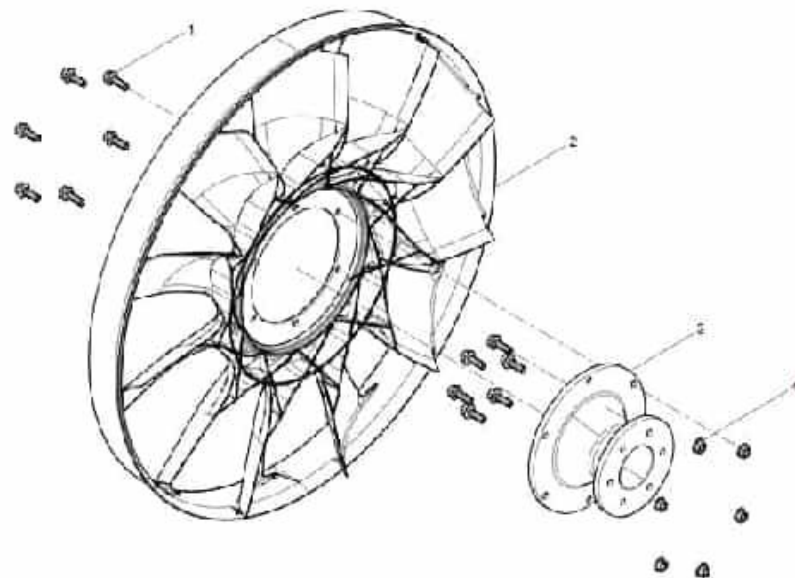
Number	Part Number	Name	Quantity
1	1008610085	Compressor Air-outlet Assembly	1
2	612630110108	Clamp	1
3	612630110070	O-ring	1

1002022535 Fan Bracket Group



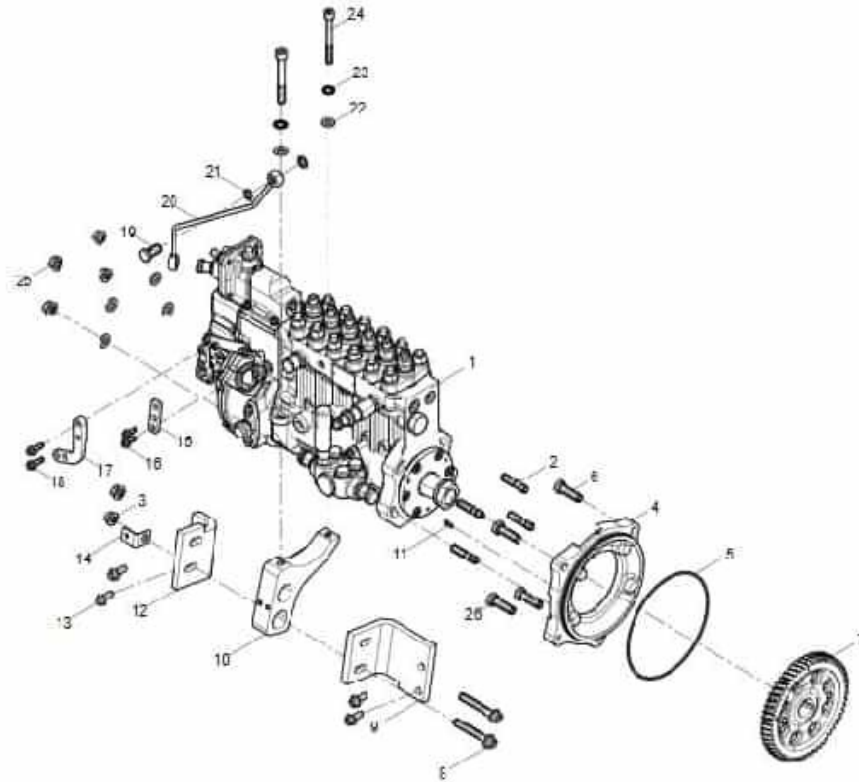
Number	Part Number	Name	Quantity
1	1000986905	Fan Bracket Assembly	1
2	9000000704	Hexagon Flange Bolt	4

1008459217 Fan and Hub Group



Number	Part Number	Name	Quantity
1	9000000741	Hexagon Flange Bolt	12
2	1003310945	Fan	1
3	1001781105	Fan Flange	1
4	90012290006	Hexagon Flange Nut	6

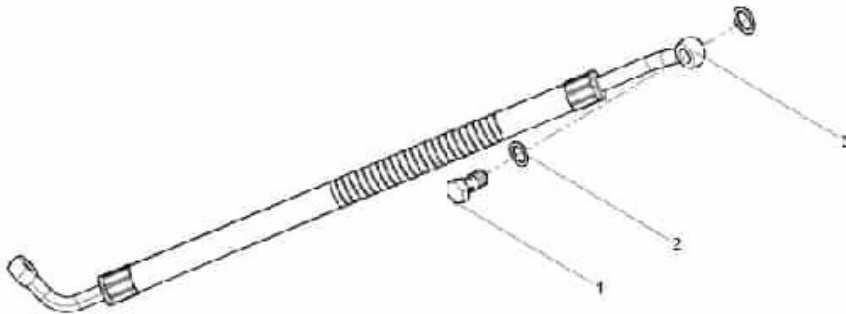
1019135811 Fuel Injection Pump Group



Number	Part Number	Name	Quantity
1	1019131549	Fuel Injection Pump Assembly	1
2	90003813537S	Double End Stud	4
3	90012290002	Hexagon Flange Nut	2
4	1001134746	Fuel Injection Pump Flange	1
5	612630030044	O-ring	1
6	90003802532S	Hexagon Head Bolt	2
7	612600080518	Fuel Injection Pump Gear	1
8	90011420021	Hexagon Flange Bolt	2
9	612630080180	Fuel Injection Pump Support	1
10	612630080179	Fuel Injection Pump Support	1
11	1000391990M	Inner Hexagon Socket Head Cap Screw	1
12	612630080178	Fuel Injection Pump Support	1
13	90011420007	Hexagon Flange Bolt	4

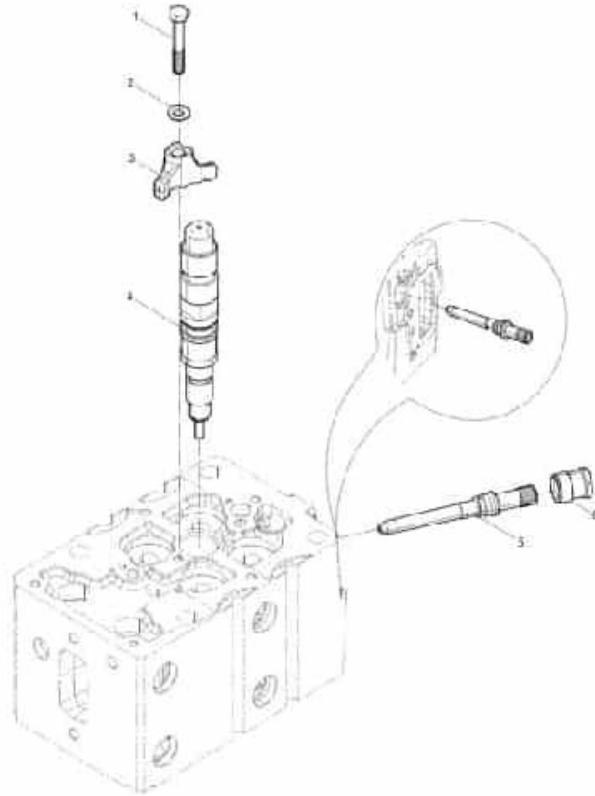
14	612600081698	Harness Bracket	1
15	1002013301	Change handle	1
16	9000000642	Hexagon Flange Bolt	2
17	1002021843	Speed Control Lever	1
18	9000000188	Hexagon Flange Bolt	2
19	90003962612	hollow screw	1
20	612700080063	Smoking Limitator Air Pipe Assembly	1
21	612600050042	Sealing Washer	2
22	90014040008	Plain washer	6
23	18872339	Washer	2
24	90013050028	Screw	2
25	90003888452	Hexagon Nut	4
26	90003802542S	Hexagon Head Bolt	2

1001991107 Fuel Injection Pump Oil Pipe Group



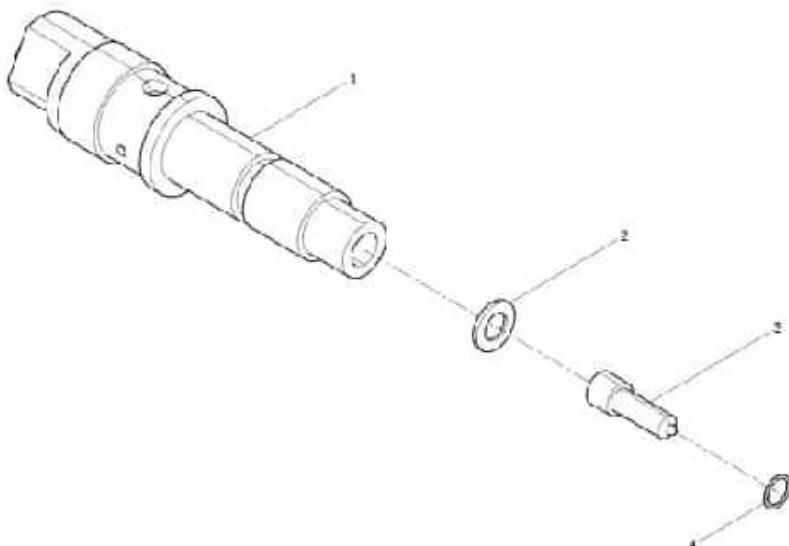
Number	Part Number	Name	Quantity
1	612639000047	Bolt	1
2	1001063336	Assembled Sealing Washer	2
3	612630030369	Fuel Injection Pump Oil Pipe	1

GRP123090004 Fuel Injector Group



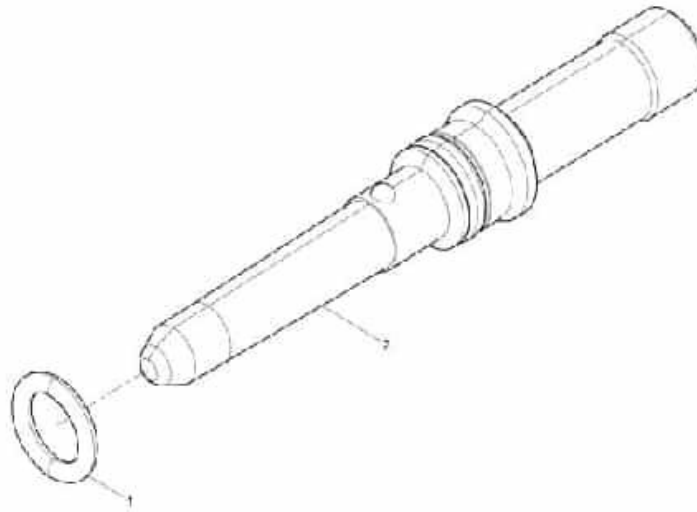
Number	Part Number	Name	Quantity
1	90011350017	Hexagon Head Bolt	6
2	612639000016	Washer with ball face	6
3	612630090002	Fuel Injector Clamp	6
4	612630090022	Fuel Injector	6
5	612630090004	High-pressure Connector	6
6	612630090006	Nut	6

612630090022 Fuel Injector



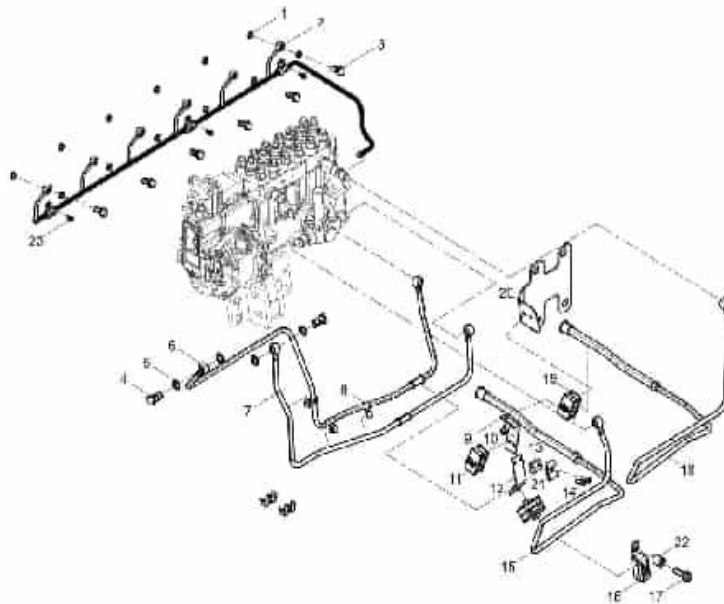
Number	Part Number	Name	Quantity
1	612630090023	Fuel Injector	1
2	612630090056	Fuel Injector Gasket	1
3	612630090053	Nozzle	1
4	612630090007	O-ring	1

612630090004 High-pressure Connector



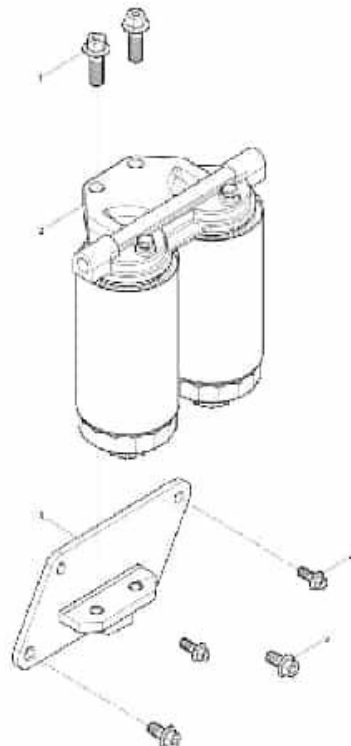
Number	Part Number	Name	Quantity
1	612630090014	O-ring	1
2	612630090013	High-pressure Connector	1

1002194543 Low Pressure Oil Pipe Group



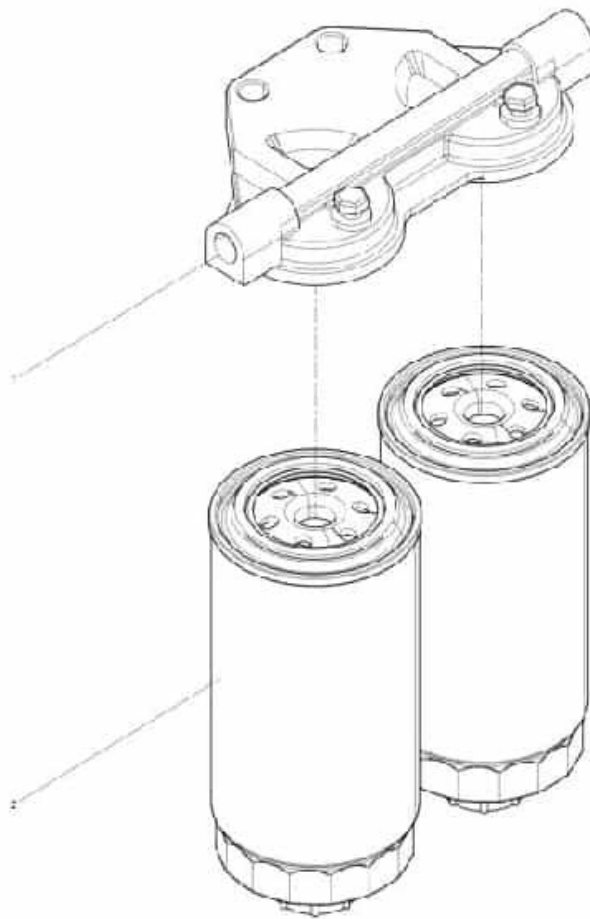
Number	Part Number	Name	Quantity
1	13057039	Assembled Sealing Washer	12
2	1013969901	Fuel Return Pipe Assembly	1
3	612639000047	Bolt	6
4	90003962621	Gemel Bolt	2
5	612600080200	Washer	4
6	1013989120	Fuel Inlet Pipe Assembly	1
7	1001929075	Fuel Inlet Pipe Assembly	1
8	612600082743	Pipe Clamp	2
8	612600080685	Pipe Clamp Assembly	4
9	1001439262	Bracket	1
10	9000000048	Hexagon Flange Bolt	1
11	1001924334	Pipe Clamp	2
12	1001925123	Bracket	1
13	1001855112	Pad	1
14	90013050172	Inner Hexagon Socket Head Cap Screw	2
15	1011216203	Fuel Inlet Pipe Assembly	1
16	1001931763	Pipe Clamp Assembly	1
17	90011420020	Hexagon Flange Bolt	1
18	1011216210	Fuel Return Pipe Assembly	1
19	612600081615	Pipe Clamp Assembly	1
20	1001440049	Bracket	1
21	1015274494	Bracket	1
22	612630060526	Sleeve	1
24	9000000716	Hexagon Flange Bolt	3

1001862918 Fuel Filter Group



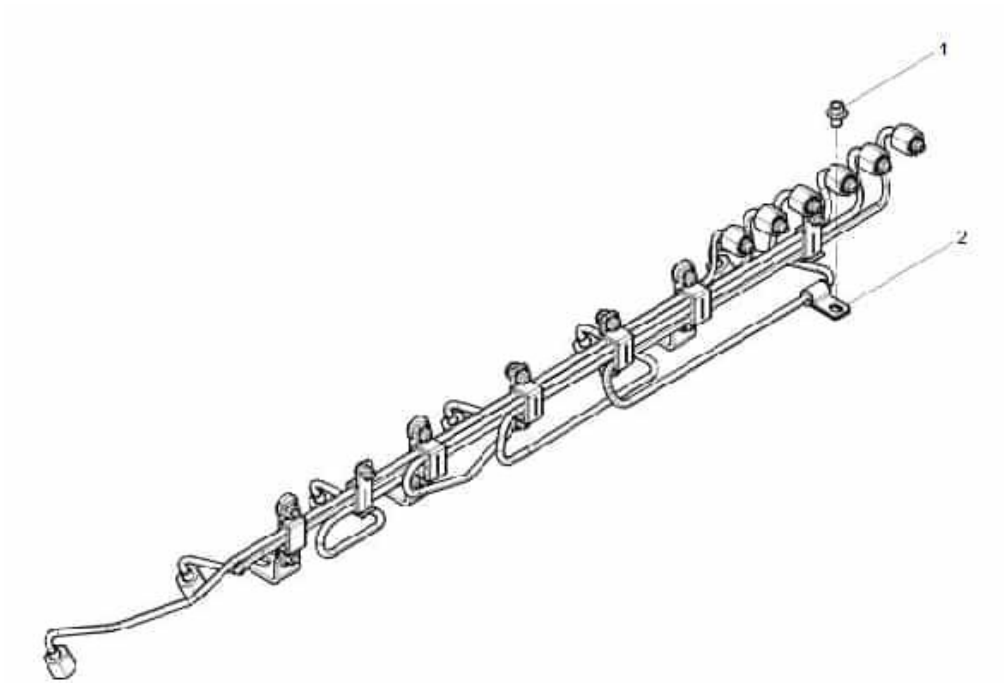
Number	Part Number	Name	Quantity
1	9000000082	Hexagon Flange Bolt	2
2	612600080933	Fuel Filter	1
3	1001835467	Fuel Filter Bracket	1
4	90011420022	Hexagon Flange Bolt	2
5	90011420036	Hexagon Flange Bolt	2

612600080933 Fuel Filter



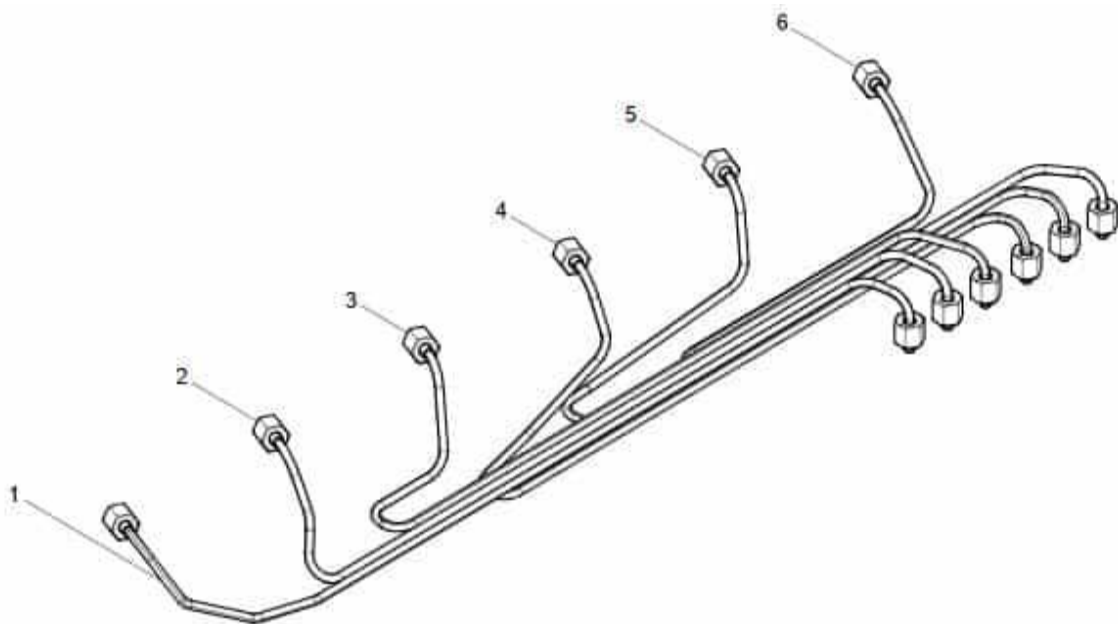
Number	Part Number	Name	Quantity
1	612600082597	Fuel Filter Seat	1
2	612600080934	Fuel Filter Element	2

1003141966 High Pressure Fuel Pipe Group



Number	Part Number	Name	Quantity
1	9000000479	Hexagon Flange Bolt	1
2	1003141968	High-pressure Fuel Pipe Assembly	1

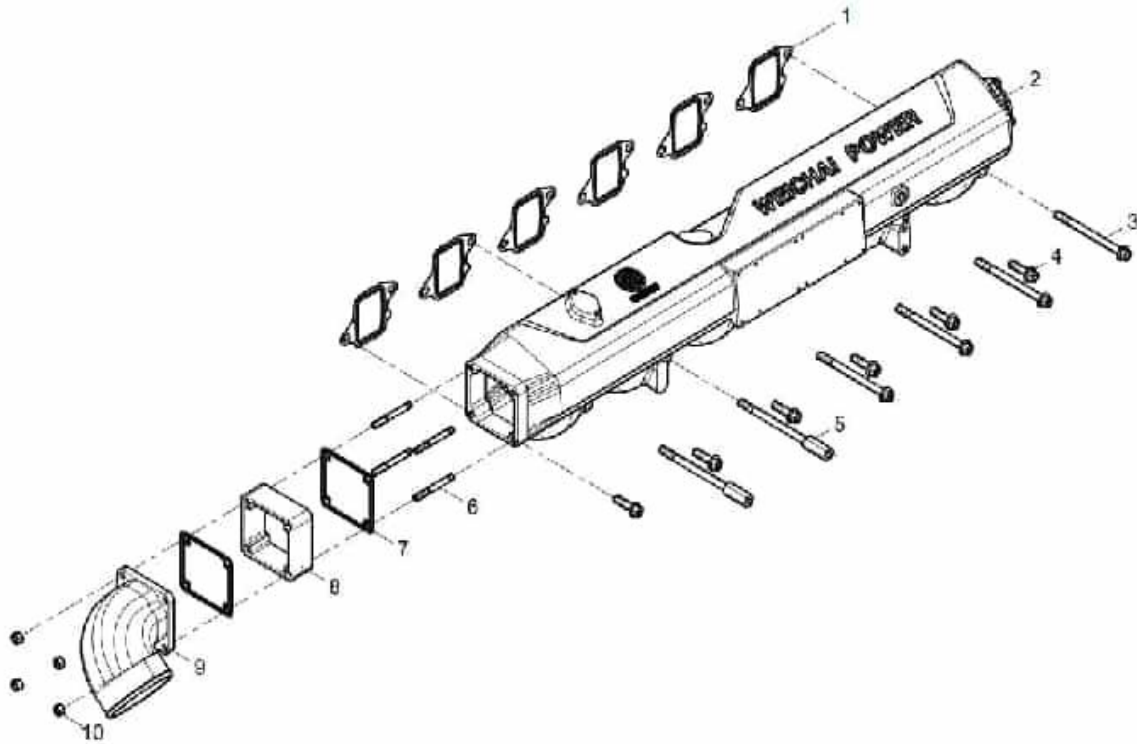
1003141968 High-pressure Fuel Pipe Assembly



Number	Part Number	Name	Quantity
1	1014607330	High-pressure Fuel Pipe Assembly	1
2	1014607731	High-pressure Fuel Pipe Assembly	1

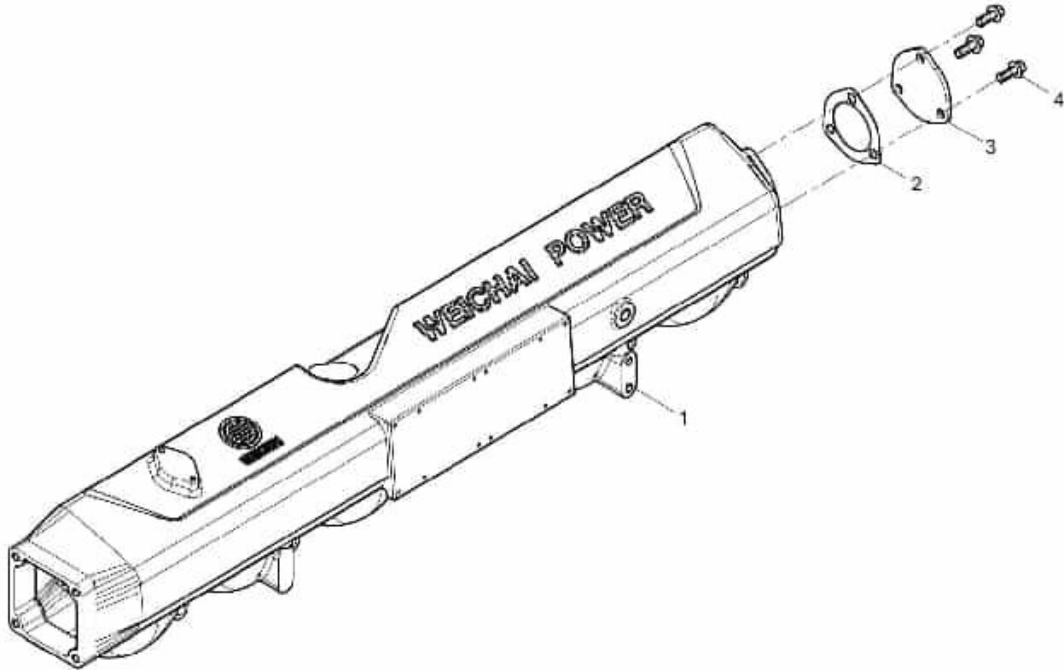
3	1014607732	High-pressure Fuel Pipe Assembly	1
4	1014607737	High-pressure Fuel Pipe Assembly	1
5	1014607743	High-pressure Fuel Pipe Assembly	1
6	1014607766	High-pressure Fuel Pipe Assembly	1

1002010708 Intake Manifold Group



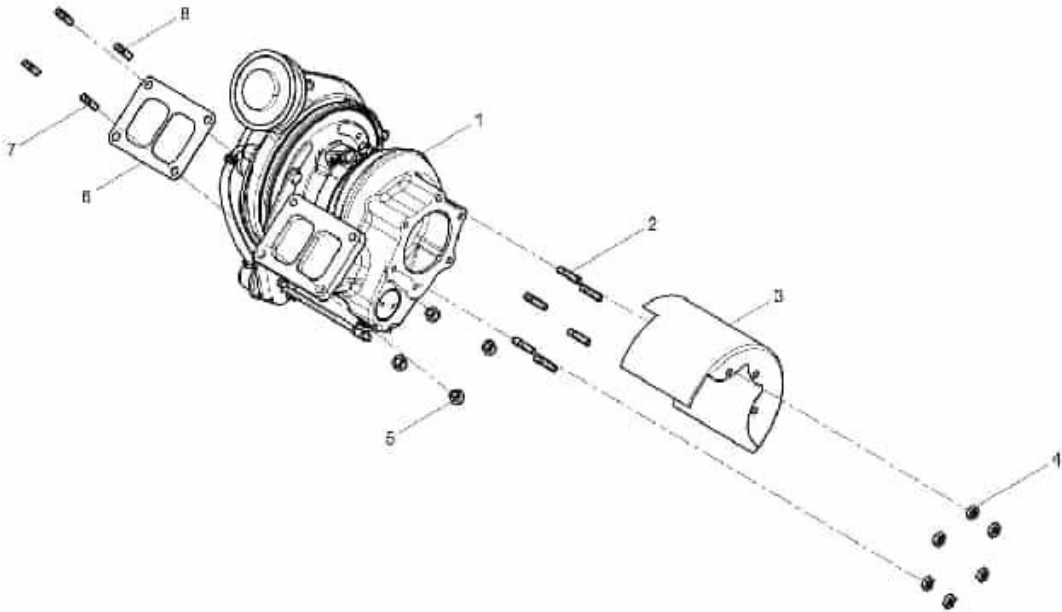
Number	Part Number	Name	Quantity
1	612630120005	Gasket	6
2	1001983210	Intake Manifold Assembly	1
3	9000000672	Hexagon Flange Bolt	4
4	90011420020	Hexagon Flange Bolt	6
5	1003949406	Back-up Block	2
6	90003813470	Double End Stud	4
7	612630120002	Gasket	2
8	612600113013	Flange	1
9	612600117167	Intake Connecting Pipe	1
10	90003888451	Hexagon Nut	4

1001983210 Intake Manifold Assembly



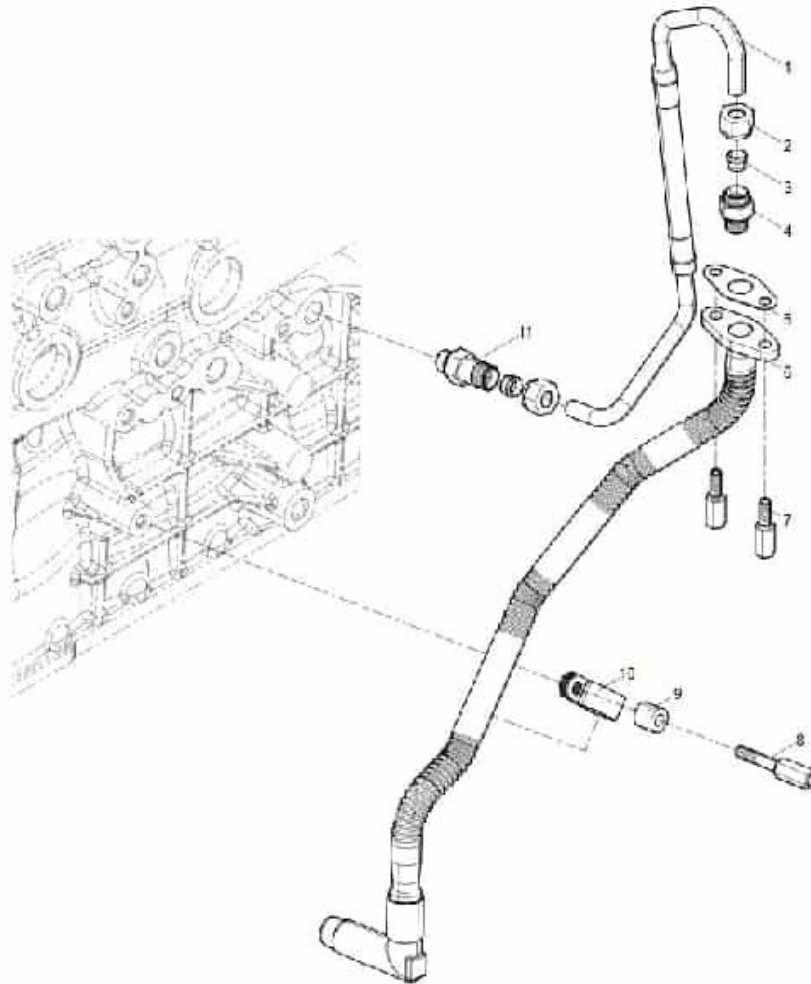
Number	Part Number	Name	Quantity
1	1001983138	Intake Manifold	1
2	612600114285	Gasket	1
3	612600110712	Intake Cover	1
4	90011420022	Hexagon Flange Bolt	3

1005871292 Turbocharger Group



Number	Part Number	Name	Quantity
1	612630110581	Turbocharger	1
2	612600112442	Double End Stud	6
3	1003972657	Turbocharger Heat Shield	1
4	612630110043	Hexagon Nut	4
5	1001770243	Prevailing Torque Type Hexagon Nut	6
6	612630110725	Gasket	1
7	612630110047	Double End Stud	2
8	1001897354	Double End Stud	2

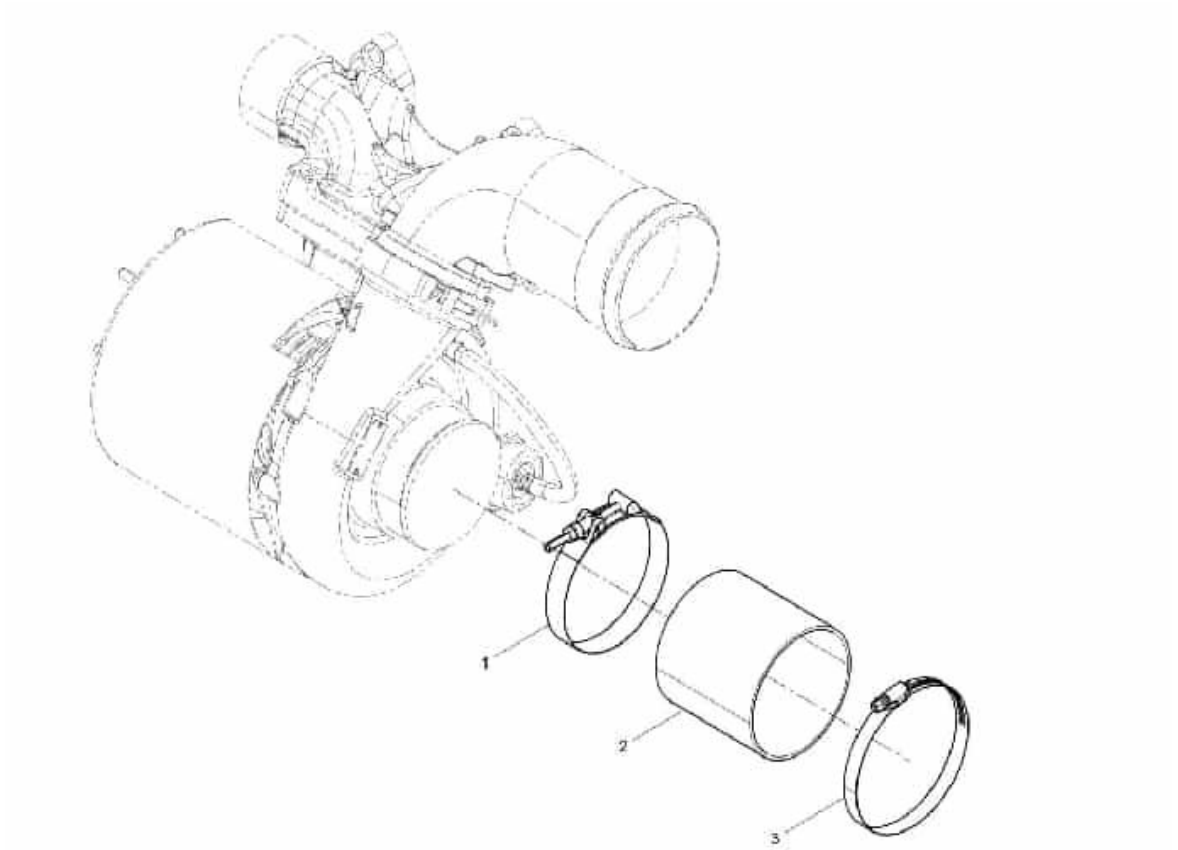
1002000575 Turbocharger Oil Pipe Group



Number	Part Number	Name	Quantity
1	1000879928	Turbocharger Oil Pipe	1
2	1000879941S	Union body	1
3	1000886100	Ferrule	2
4	612639000022	Nut	2
5	612600115514	Gasket	1
6	612630110580	Turbocharger oil pipe assembly	1

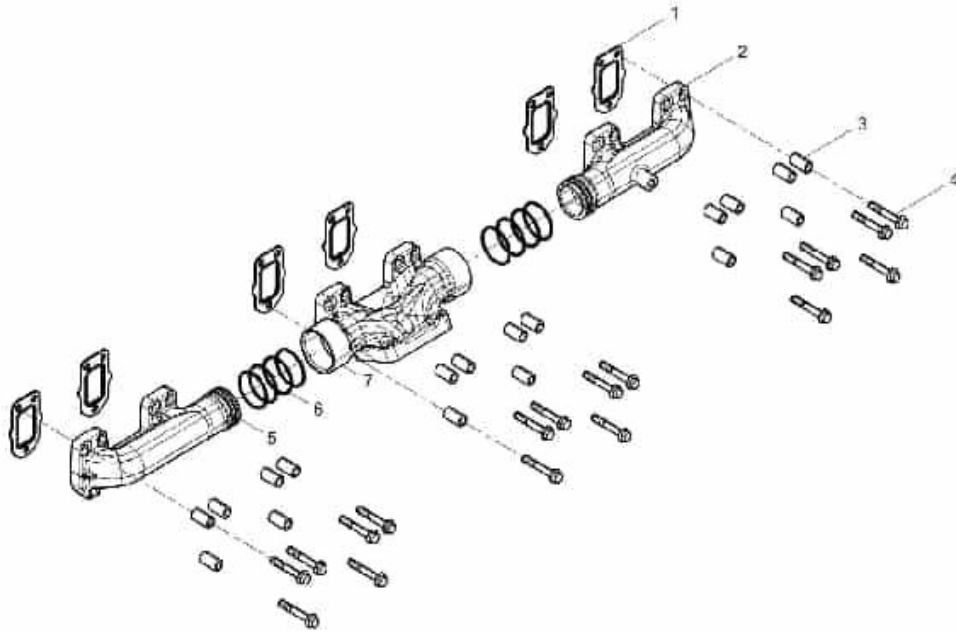
7	61460070014 Bolt	2
8	612600012891 Back-up Block	1
9	612630110019 Sleeve	1
10	612600111639 Pipe Clamp Assembly	1
11	1000889730S Ferrule Face Straight Thread Elbow-	1

GRP124110041 Compressor Pipe Group



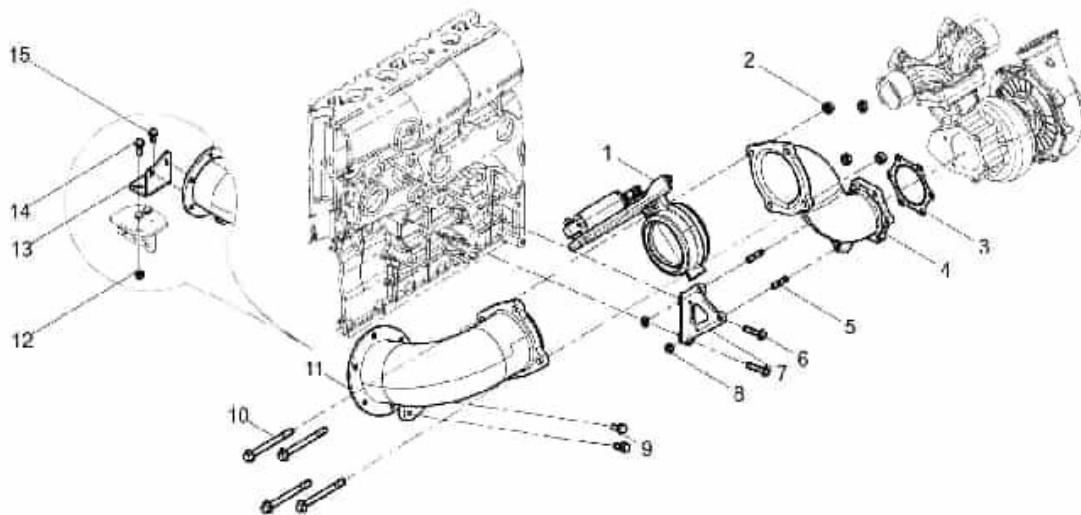
Number	Part Number	Name	Quantity
1	612600114701	Clamp	1
2	612600112459	rubber hose	1
3	90003989315	Clamp	1

1001824126 Exhaust Manifold Group



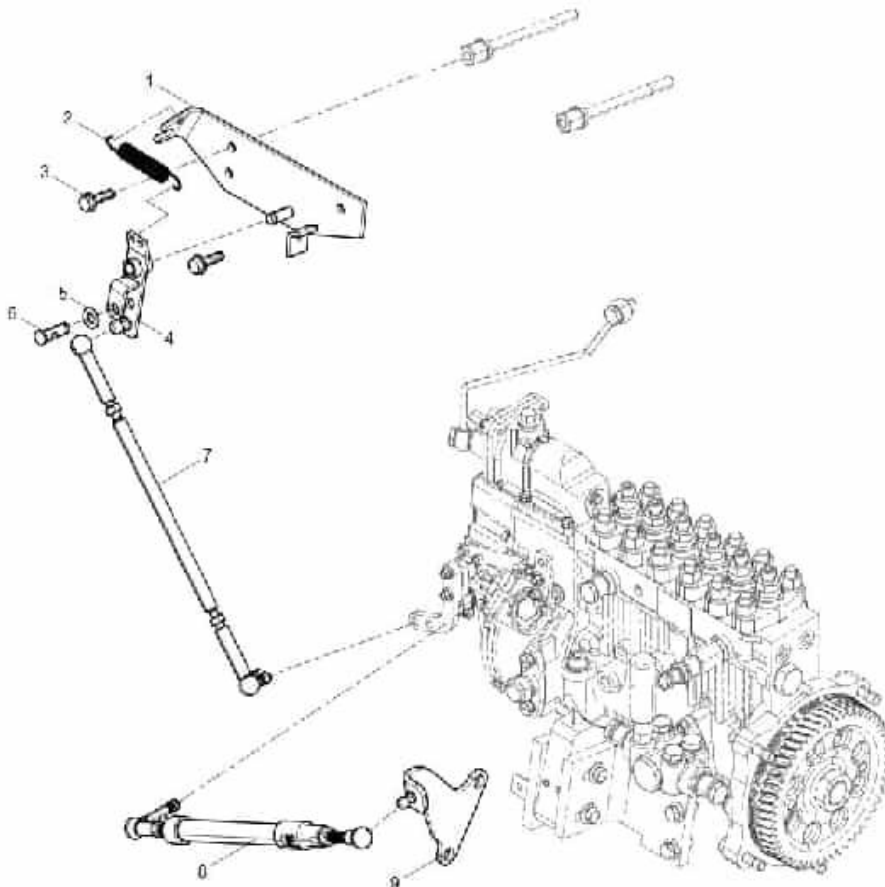
Number	Part Number	Name	Quantity
1	1009931855	Exhaust Manifold Gasket	6
2	612700110107	Exhaust Manifold	1
3	1000549050	Sleeve	18
4	612630110958	Exhaust Manifold Bolt	18
5	612700110109	Exhaust Manifold	1
6	612630110024	Exhaust Pipe Sealing Ring	8
7	612700110108	Exhaust Manifold	1

1000408773 Rear exhaust pipe assembly



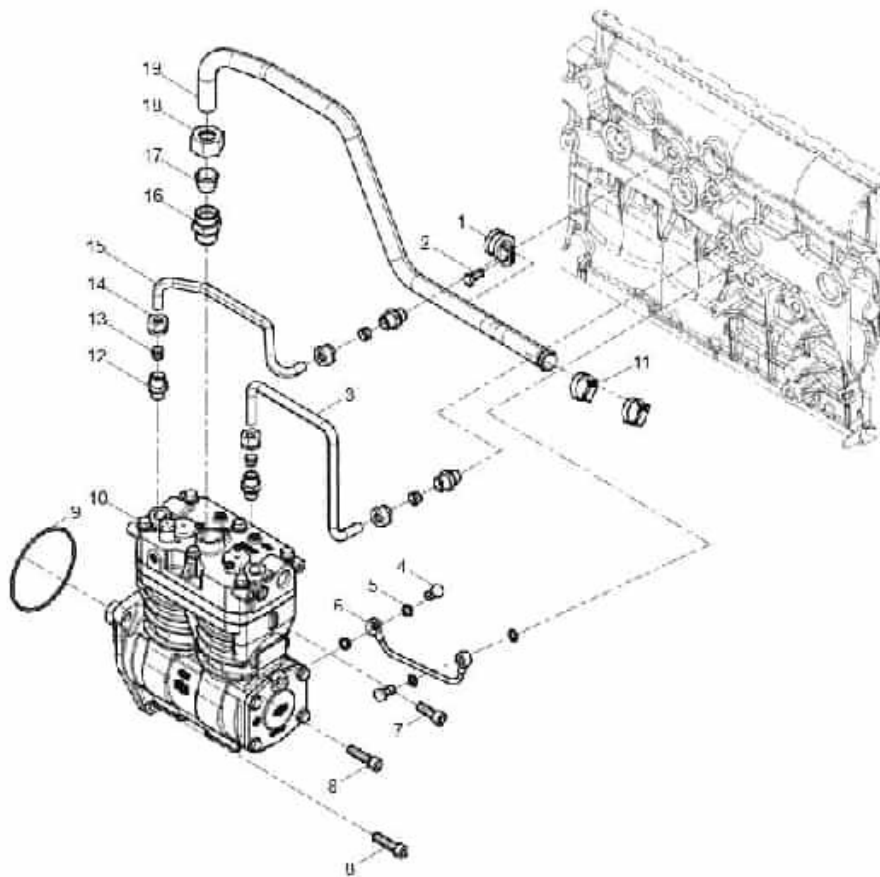
Number	Part Number	Name	Quantity
1	612630110008	Exhaust Braking Butterfly Valve	1
2	612630110068	Hexagon Nut	4
3	612630110716	Gasket	1
4	612630111084	Exhaust Manifold	1
5	612630110042	Double End Stud	2
6	90011430032	Hexagon Flange with Tooth Bolt	2
7	612630111049	Turbocharger Support	1
8	612630110043	Hexagon Nut	2
9	9000000043	Hexagon Flange Bolt	2
10	612630110069	Hexagon Flange Bolt	4
11	612640110005	Exhaust Connecting Pipe	1
12	90012420003	All - metal Hexagon Flange Face Lock	1
13	1001010038	Exhaust Manifold Bracket	1
14	90011400028	Hexagon Flange Bolt	1
15	90011400027	Hexagon Flange Bolt	1

1002194881 Shut-down Device Group



Number	Part Number	Name	Quantity
1	1002069967	Cantalever Assembly	1
2	99100570065	Return Spring	1
3	90011400002	Hex head bolts with flange face	2
4	612600082367	Lever Assembly	1
5	90014040008	Plain washer	1
6	99012570084	Axis pin	1
7	1002070807	Strut	1
8	1003474806	Exhaust Gas Brake Oil Cylinder	1
9	1002036178	Lever Assembly	1

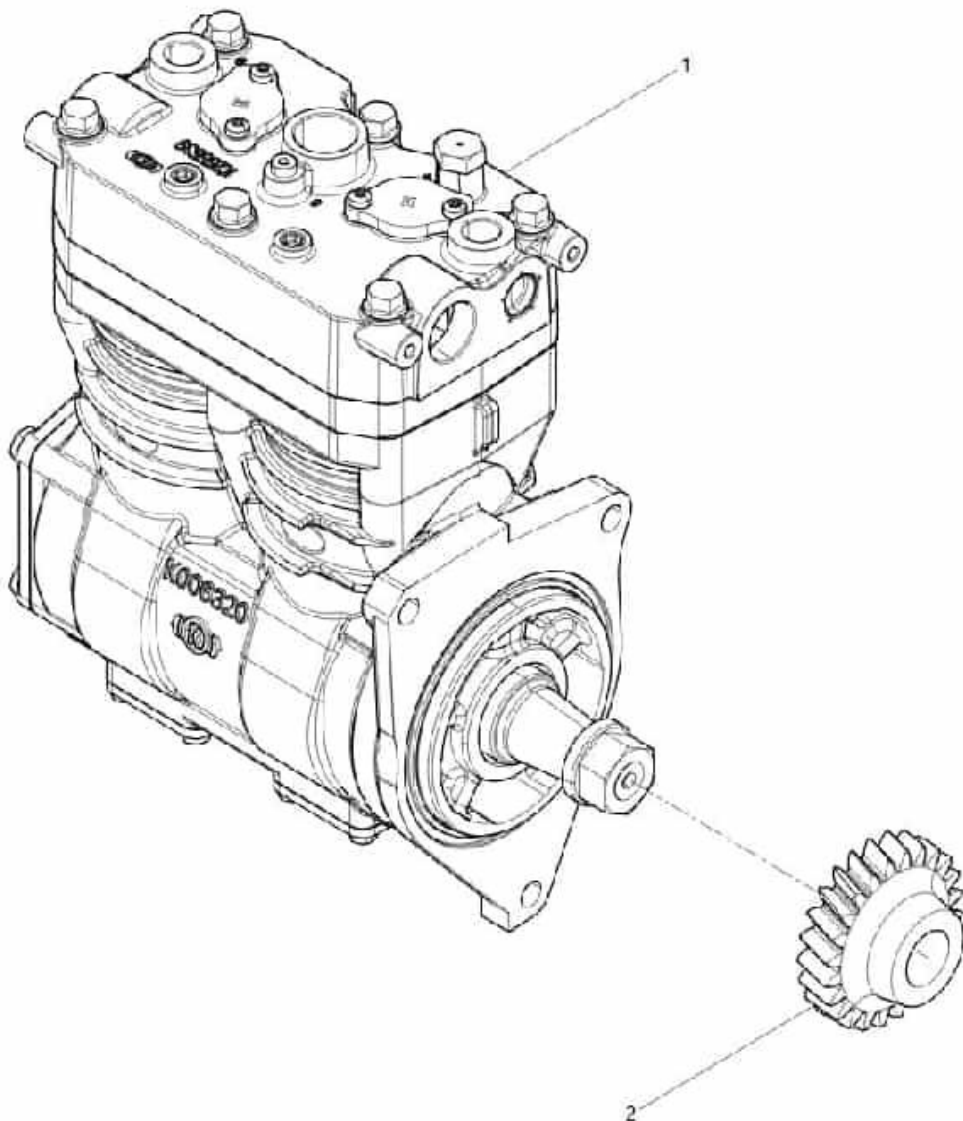
1004559276 Air Compressor Group



Number	Part Number	Name	Quantity
1	612600111639	Pipe Clamp Assembly	1
2	90003802419	Hexagon Head Bolt	1
3	1000984919	Air Compressor Water Pipe	1
4	612639000047	Bolt	2
5	1001063336	Assembled Sealing Washer	4
6	1002025235	Air Compressor Oil Pipe Assembly	1
7	90003862532S	Inner Hexagon Socket Head Cap Screw	1

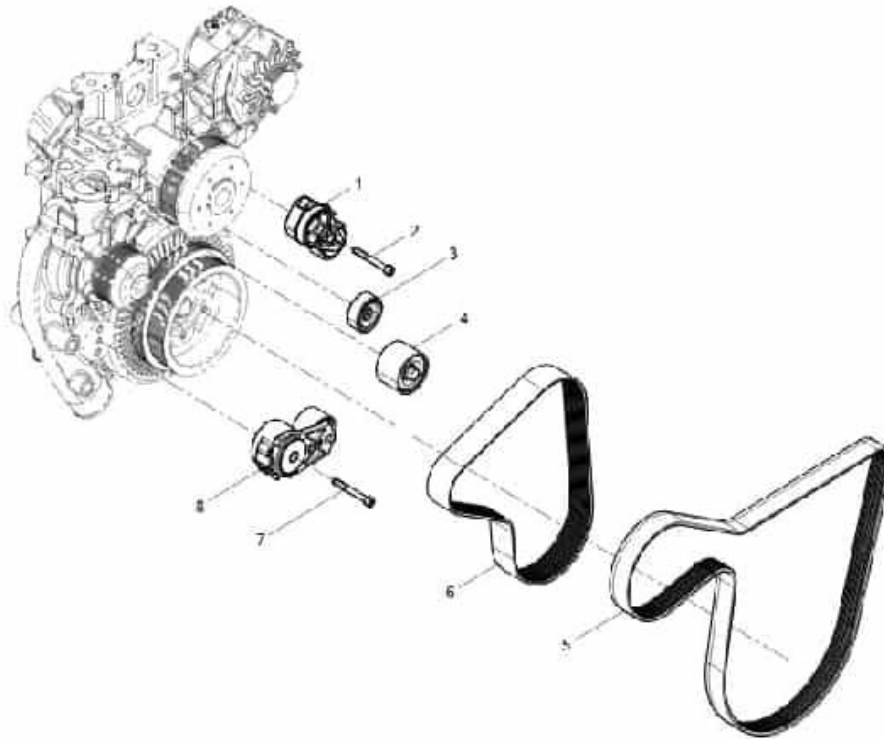
8	90013550004S	Inner Hexagon Socket Head Cap Screw	2
9	612639000039	O-ring	1
10	1013133963	Air Compressor Assembly	1
11	90003989301	Clamp	2
12	1000879941S	Union body	4
13	1000886100	Ferrule	4
14	612639000022	Nut	4
15	1000984920	Air Compressor Water Pipe	1
16	612639000060S	Pipe Joint	1
17	612639000082	Ferrule	1
18	612639000041	Nut	1
19	1000127028	Air compressor Air-inlet Pipe	1

1013133963 Air Compressor Assembly



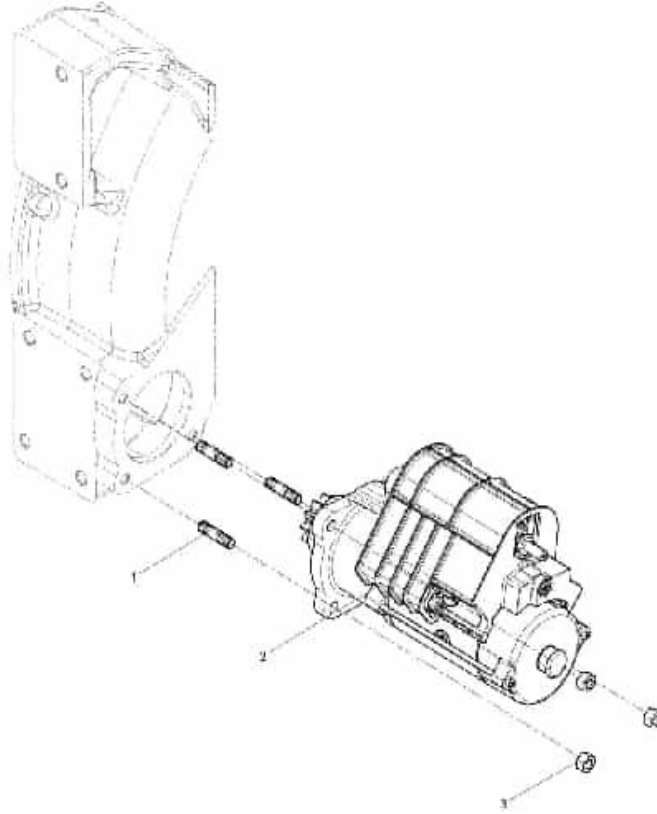
Number	Part Number	Name	Quantity
1	1013133966	Air Compressor	1
2	612630030032	Air Compressor Gear	1

1000938658 Tensioner And Belt Group



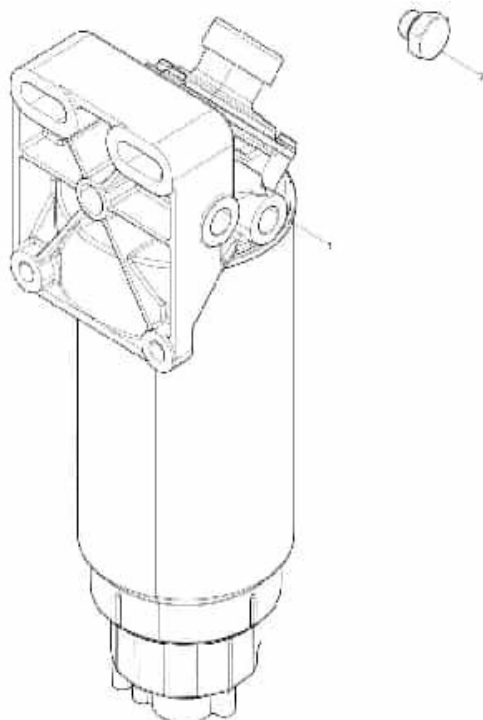
Number	Part Number	Name	Quantity
1	1001319530	Automatic Tensioner	1
2	9000000361S	Hexagon Flange Bolt	1
3	612630060881	Idle Wheel	1
4	612630061100	Idle Wheel	1
5	612600062532	Poly V Belt	1
6	1000578844	Poly V Belt	1
7	9000000739S	Inner Hexagon Socket Head Cap Screw	1
8	1000694241	Automatic Tensioner	1

GRP123030106 Starter Motor Group



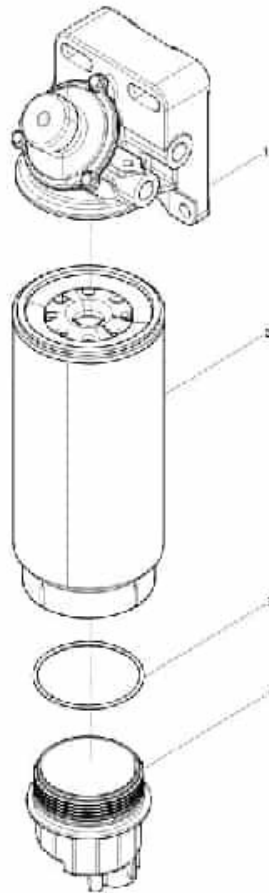
Number	Part Number	Name	Quantity
1	90003813527	Double End Stud	3
2	612600091077	Starter Motor	1
3	612600013602	Hexagon Flange Nut	3

1002194599 parts kit Group



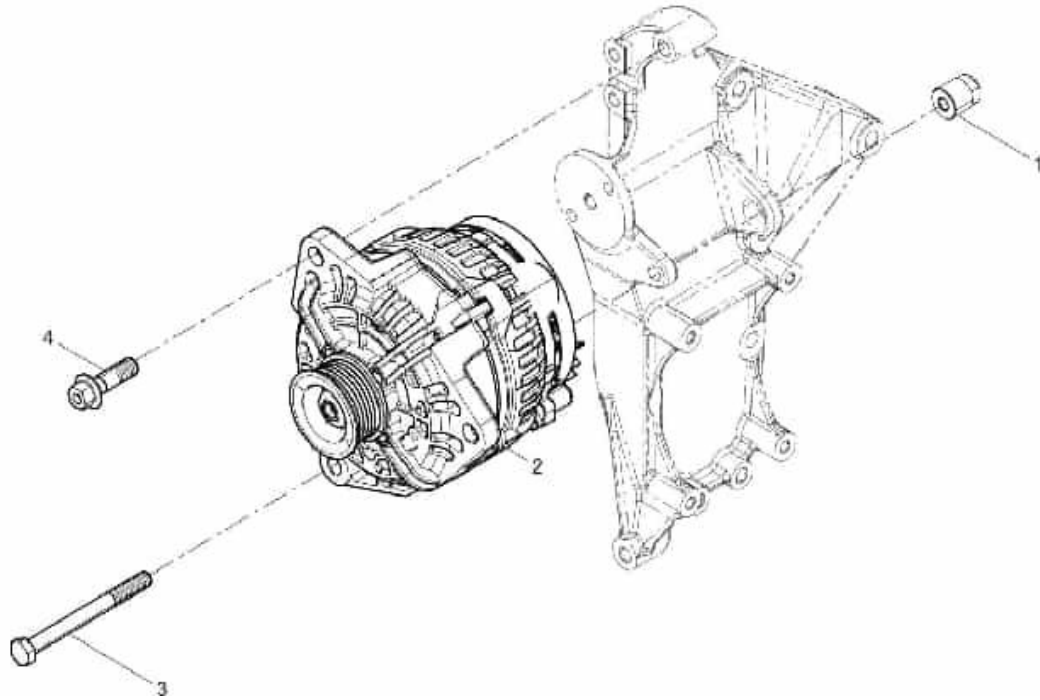
Number	Part Number	Name	Quantity
1	1000424922	Fuel Coarse Filter	1
2	9000000890	Hexagon Screw Plug	8

1000424922 Fuel Coarse Filter



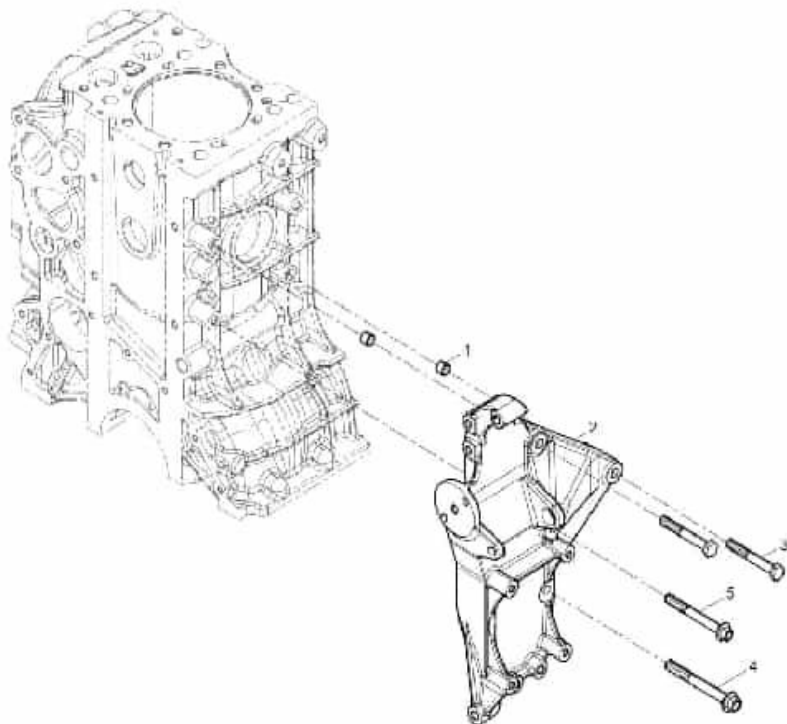
Number	Part Number	Name	Quantity
1	612630080371	Fuel Filter Seat	1
2	1000424916	Fuel Coarse Filter Element	1
3	612600081327	Seal ring	1
4	612600082030	Water Cup Assembly	1

1000054646 Alternator Group



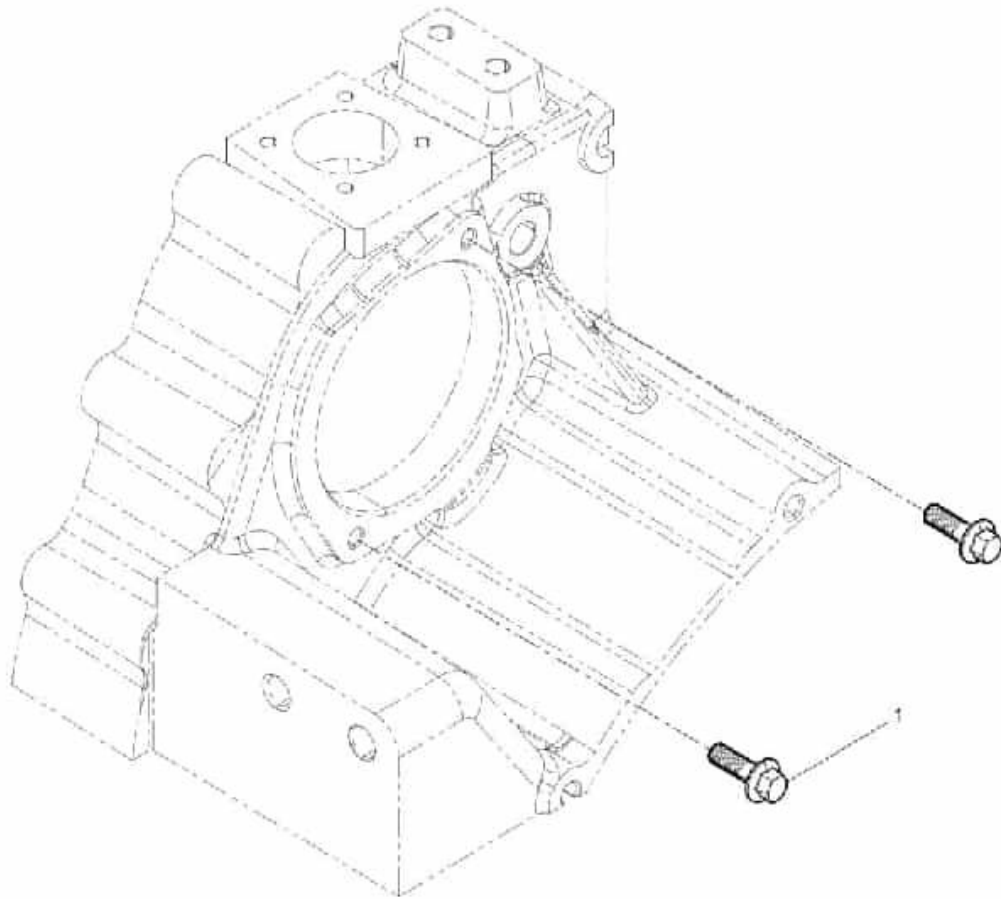
Number	Part Number	Name	Quantity
1	612630060040	Nut	1
2	1000750099	Generator, Alternator	1
3	90011350082	Hexagon Head Bolt	1
4	9000000045	Hexagon Flange Bolt	1

1000286418 Generator Support Group



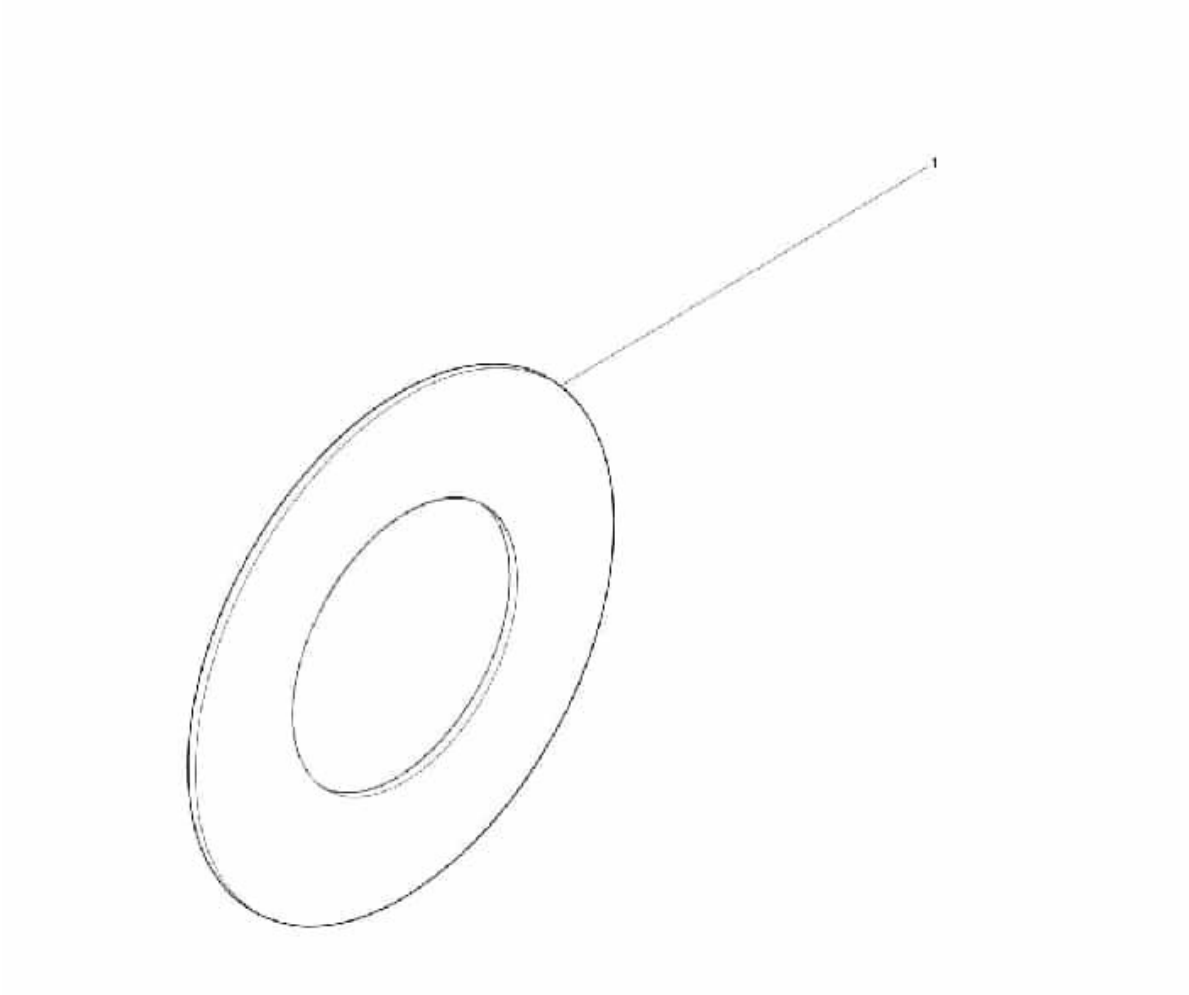
Number	Part Number	Name	Quantity
1	612630060041	Plastic Insert	2
2	612640060245	Generator Support	1
3	90011430011	Hexagon Flange with Tooth Bolt	2
4	612600061712	Hexagon Flange with Tooth Bolt	1
5	90011430030	Hexagon Flange with Tooth Bolt	1

1000159782 Hydraulic Pump Group



Number	Part Number	Name	Quantity
1	90011410003	Hexagon Flange Bolt	2

1004847623 Engine Peripheral Device Support Group



Number	Part Number	Name	Quantity
1	90014230004	Wave spring washer	3

