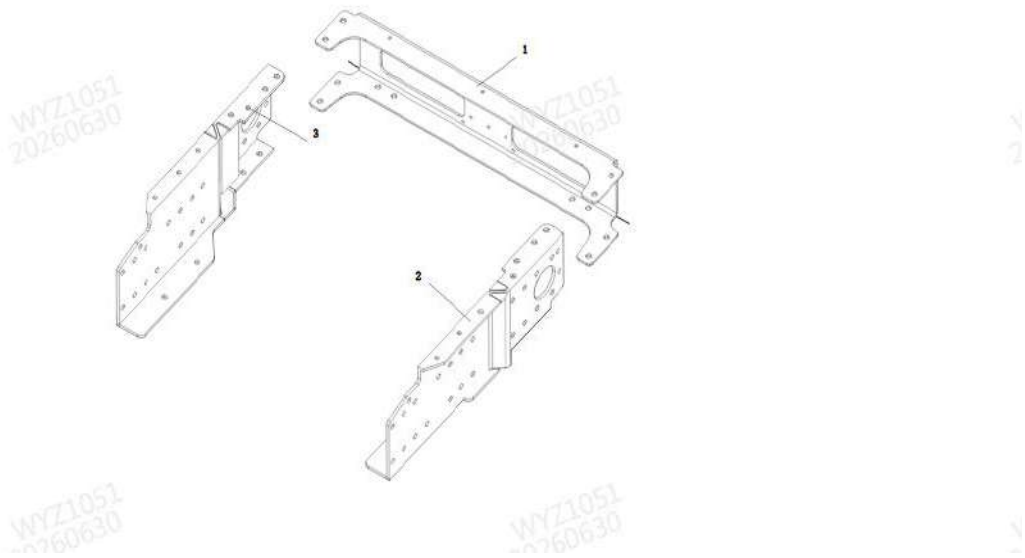


Frame System

Front Accessories Of Frame



Reference number	Part Number	Part Name	quantity	Unit of measurement
1	SZ984000712	Front Cross Beam	1	piece
2	DZ96259800120	Bumper Front Bracket Assembly (Right)	1	piece
3	DZ96259800119	Bumper Front Bracket Assembly (Left)	1	piece

Bumper Front Bracket Assembly (Right)

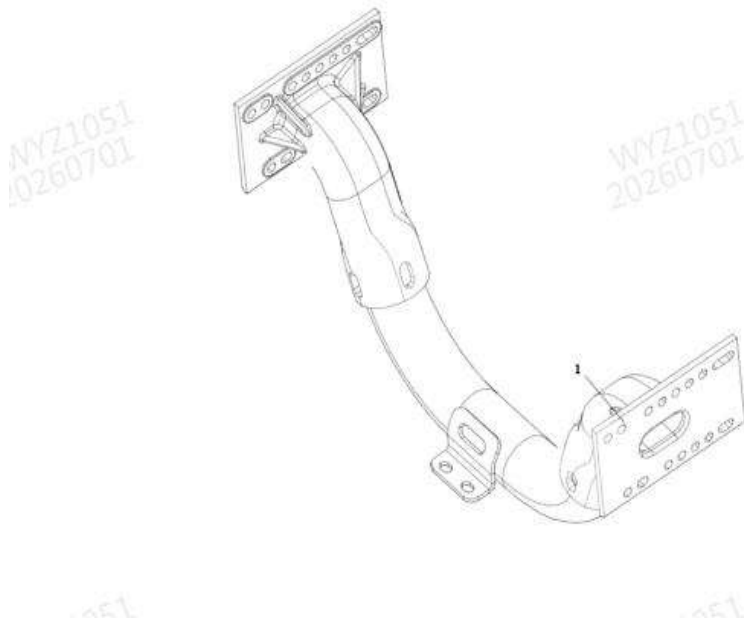
Reference number	Part Number	Part Name	quantity	Unit of measurement
	DZ96259800128	Z-Shaped Bend Plate (Right)	1	piece
	DZ9114931133	Connecting Plate	1	piece
	DZ95259931153	Connecting Plate	2	piece
	DZ95259931154	Connecting Plate	1	piece
	DZ96259800180	Strengthened Plate/60*45	1	piece
	DZ95259931155	Connecting Plate	1	piece
	DZ95259801157	Strengthened Plate	2	piece

Bumper Front Bracket Assembly (Left)

Reference number	Part Number	Part Name	quantity	Unit of measurement
	DZ96259800127	Z-Shaped Bend Plate (Left)	1	piece
	DZ9114931133	Connecting Plate	1	piece
	DZ95259931153	Connecting Plate	2	piece
	DZ95259931154	Connecting Plate	1	piece
	DZ96259800180	Strengthened Plate/60*45	1	piece

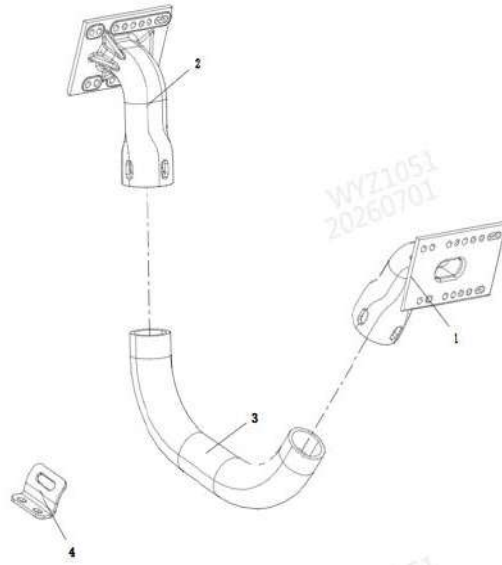
	DZ95259801157	Strengthened Plate	2	piece
	DZ95259931155	Connecting Plate	1	piece

Tubular Crossbeam Assembly



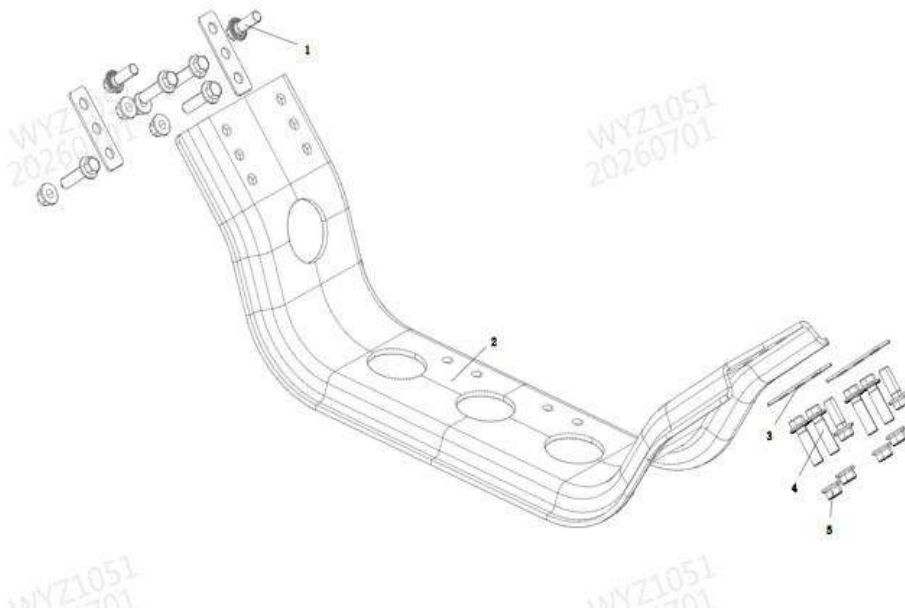
Reference number	Part Number	Part Name	quantity	Unit of measurement
1	DZ96259510390	Tubular Crossbeam Assembly	1	piece

Tubular Crossbeam Assembly



Reference number	Part Number	Part Name	quantity	Unit of measurement
1	DZ96259510391	Pipe Beam Support Brack/Left	1	piece
2	DZ96259510392	Pipe Beam Support Brack/Right	1	piece
3	DZ96259510393	Pipe Sorghum	1	piece
4	DZ96259510394	Bracket	1	piece

Frame Auxiliary Crossbeam



Reference number	Part Number	Part Name	quantity	Unit of measurement
1	Q1811455TF3	Toothed Bolt With Hexagon Flange	8	piece
2	Q1811430TF3	Hexagon Flange Facing Toothed Bolt	4	piece
3	DZ97259510440	Cross Beam	1	piece

4	DZ97259510441	Base Plate	4	piece
5	06.11251.2005	Hexagon Nut With Flange/M7.112.40 M14*1.5-10-MAN183B1	8	piece

Frame

Reference number	Part Number	Part Name	quantity	Unit of measurement
	DZ99189513890	Frame Assembly	1	piece

Frame Assembly

Reference number	Part Number	Part Name	quantity	Unit of measurement
	DZ99189513891	Left Longitudinal Beam Assembly	1	piece
	Q1811435TF3	Hexagon Flange Facing Toothed Bolt	1	piece
	DZ99189513892	Right Longer on Assembly	1	piece
	Q1811435TF3	Hexagon Flange Facing Toothed Bolt	1	piece
	DZ99189513870	Cross Beam Assembly	1	piece
	Q4501442	Cup Head Rivet	35	piece
	Q1811440TF3	Toothed Bolt With Hexagon Flange	12	piece
	DZ97189513204	Crossmember assembly	1	piece
	Q1811435TF3	Hexagon Flange Facing Toothed Bolt	8	piece
	Q1811645TF3	Toothed Bolt With Hexagon Flange	4	piece
	SXQ32516T13F3	Hexagon Flange Face Toothed Nut	4	piece
	DZ96189512210	Cross member assembly	1	piece
	06.11251.2005	Hexagon Nut With Flange/M7.112.40 M14*1.5-10-MAN183B1	30	piece
	DZ99189513860	Tail Beam Assembly	1	piece
	Q1811445TF3	Toothed Bolt With Hexagon Flange	8	piece
	DZ99189513827	Left mounting plate	1	piece
	Q4501234	Cup Head Rivet	4	piece
	DZ99189513828	Right mounting plate	1	piece
	DZ95259510579	Strengthened Plate	2	piece

Cross Beam Assembly

Reference number	Part Number	Part Name	quantity	Unit of measurement
	SZ951003106	Cross Beam	1	piece

DZ99189513871	Left Upper Connecting Plate	1	piece
Q4501432	Half Round Head Rivet (High Anti-Corrosion F62)	5	piece
DZ99189513872	Upper Right Connecting Plate	1	piece
Q4501432	Half Round Head Rivet (High Anti-Corrosion F62)	5	piece
DZ99189513873	Left Lower Connecting Plate	1	piece
Q4501432	Half Round Head Rivet (High Anti-Corrosion F62)	5	piece
DZ99189513874	Lower Right Connecting Plate	1	piece
Q4501432	Half Round Head Rivet (High Anti-Corrosion F62)	5	piece

Crossbeam Assembly

Reference number	Part Number	Part Name	quantity	Unit of measurement
	DZ95189511307	Upper Connecting Plate	2	piece
	DZ95189510379	Lower Connecting Plate	2	piece
	DZ91189512051	Crossbeam	1	piece
	Q4501230	Cup Head Rivet	16	piece

Cross member assembly



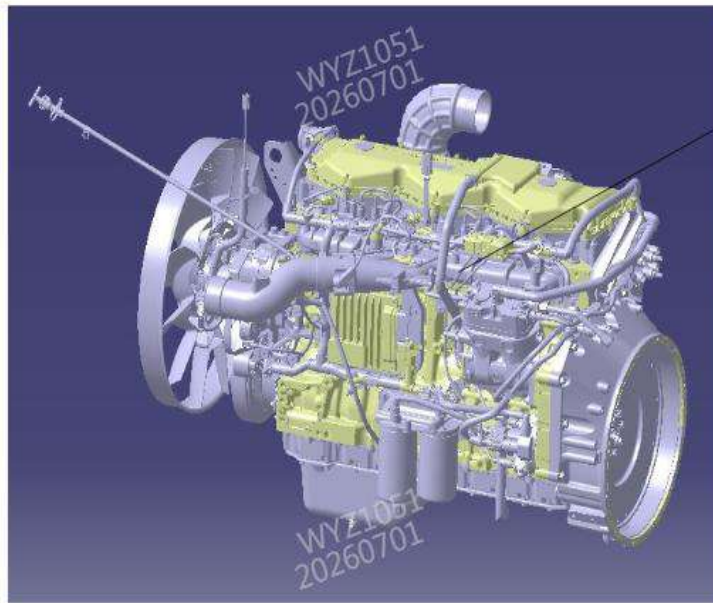
Reference number	Part Number	Part Name	quantity	Unit of measurement
	159000510051	Bushing	4	piece
	DZ95189510394	Shock Absorber Crossbeam	1	piece
	DZ95189510392	Right Bracket	1	piece
	DZ95189510391	Left Bracket	1	piece

Tail Beam Assembly

Reference number	Part Number	Part Name	quantity	Unit of measurement
	DZ99189513867	Tailbeam	1	piece
	Q4501230	Cup Head Rivet	16	piece
	DZ99189513861	Left Upper Connecting Plate	1	piece
	DZ99189513862	Upper Right Connecting Plate	1	piece
	188000510040	Rear Beam Connecting Plate	2	piece

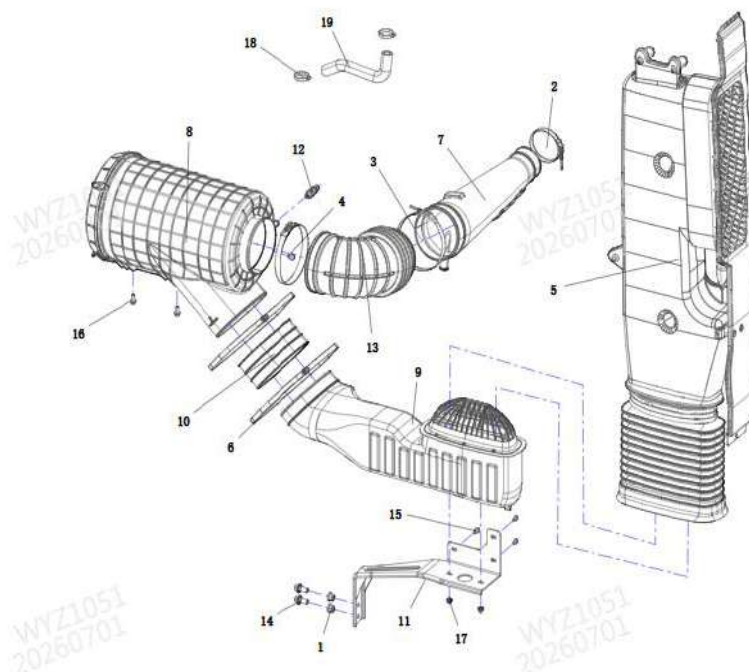
Dynamic System

Engine Assembly



Reference number	Part Number	Part Name	quantity	Unit of measurement
1	DZ62109011533	Engine/Electronic Fuel Injection Euro V/M10E5 460/700 Standard Silicone Oil Clutch Fan/Steering Pump Gear Ratio 1.23/Mid- Mounted/60L Urea Tank/Large	1	piece

Air Intake System



Reference number	Part Number	Part Name	quantity	Unit of measurement
	DZ91149190007	H3000 Cab Intake Flat Pipe Sub	1	piece
	DZ96259194724	Air Intake Connecting Pipe Assembly	1	piece
	DZ96259194738	Intake Connection Pipe Bracket	1	piece
	Q1811430TF3	Hexagon Flange Facing Toothed Bolt	2	piece
	06.11251.2005	Hexagon Nut With Flange/M7.112.40 M14*1.5-10-MAN183B1	2	piece
	Q1840816T1F31	Hexagon Flange Bolt	3	piece
	Q33008T2F60	All Metal Hexagonal Flange Locking	2	piece
	DZ96259194725	Air Filter Intake Rubber Pipe	1	piece
	DZ93259190222	Clamp	2	piece
	DZ96259194722	Center Air Filter Assembly	1	piece
	DZ97189711320	Dry Air Filter Blockage Alarm	1	piece
	Q1841020T1F31	Hexagon Flange Bolt	4	piece
	DZ97259191514	X3000 Middle Air Filter Outlet Hose	1	piece
	DZ9003532192	T-Clamp	1	piece
	DZ9003532185	T-Type Clamp	1	piece
	DZ96259194006	Supercharger Air Inlet Pipe	1	piece
	DZ9003532115	T-Clamp	1	piece
	DZ62109020604	Air Intake Hose/Air Compressor	1	piece
	Q67545	A-Type Worm Drive Hose Hoop	1	piece
	Q67545	A-Type Worm Drive Hose Hoop	1	piece

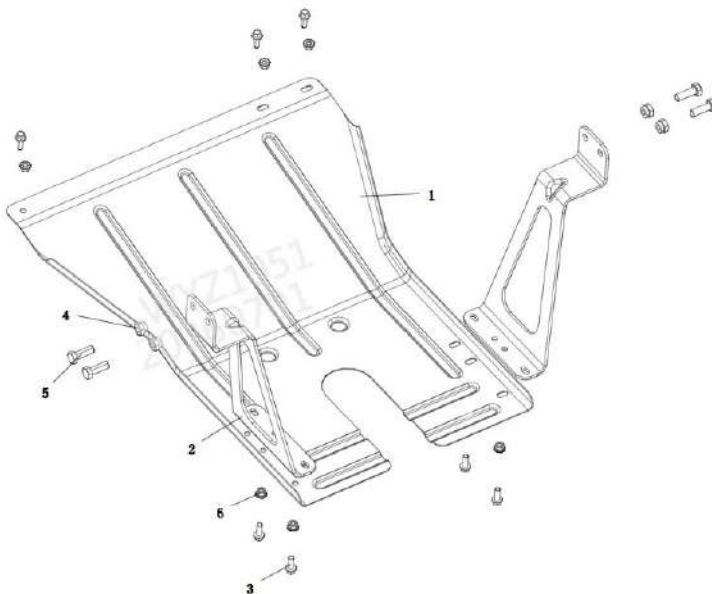
H3000 Cab Intake Flat Pipe Sub Assembly

Reference number	Part Number	Part Name	quantity	Unit of measurement
	DZ96259190792	Rubber Buffer Block For Intake Flat Pipe (Bh-Hp42501190022)	4	piece
	DZ96259191264	High Position Air Intake Manifold	1	piece
	DZ9002530001	Stainless Steel Clamp	1	piece
	DZ96259191265	High Position Intake Corrugated	1	piece
	DZ96259191266	High Position Intake Corrugated Pipe Connector	1	piece
	Q402B08	Large Washer (Galvanized)	4	piece
	Q33208T2F3	2 Type All Metal Hexagonal Lock Nut	4	piece
	DZ96259190790	Side High Intake Decorative Plate	1	piece
	Q2140612	Cross Recessed Pan Head Screws	6	piece

Center Air Filter Assembly

Reference number	Part Number	Part Name	quantity	Unit of measurement
	DZ96259194723	Air Filter Housing	1	piece
	DZ9X259190121	Main Filter Element Assembly	1	piece
	DZ9X259190131	Safety Filter Element Assembly	1	piece

Oil Pan Protection Shield



Reference number	Part Number	Part Name	quantity	Unit of measurement
1	DZ96259538196	Oil Pan Protection Shield	1	piece
2	DZ96259538197	Oil Pan Protective Grille Bracket	1	piece

3	Q1841025T1F31	Hexagon Flange Bolt	2	piece
4	190003888458	Self-Locking Nut	2	piece
5	Q151B1440T1F3	Hexagon Head Bolt- Fine Thread	2	piece
6	Q32010T2F60	Hexagon Nut	2	piece

Protective barrier

Reference number	Part Number	Part Name	quantity	Unit of measurement
	DZ96259538341	Left Support Of Protective Barrier	1	piece
	Q1841030T1F31	Hexagon Flange Bolt	2	piece
	DZ96259538342	Right Support Of Protective Barrier	1	piece
	Q1841030T1F31	Hexagon Flange Bolt	2	piece
	DZ97259538249	Protection Grille/X Series	1	piece
	Q1841025T1F31	Hexagon Flange Bolt	8	piece
	Q32010T2F60	Hexagon Nut	8	piece

Engine Suspension

Reference number	Part Number	Part Name	quantity	Unit of measurement
	DZ97259590117	Left Front Damping Pad	1	piece
	DZ97259590118	Right Front Damping Pad	1	piece
	DZ97259590736	Engine damping pad	2	piece
	Q1811490TF3	Toothed Bolt With Hexagon Flange	3	piece
1	DZ97259590037	Lockwasher/M16	2	piece
2	Q151B1660TF3	Hexagon Head Bolt- Fine Thread	2	piece
3	06. 11251. 2005	Hexagon Nut With Flange/M7. 112. 40 M14*1. 5-10-MAN183B1	3	piece
7	DZ97259592025	Engine Left Rear Bracket	1	piece
8	DZ97259592026	Engine Right Rear Bracket	1	piece
9	DZ9A259590771	Left Front Bracket	1	piece
10	DZ9A259590772	Right Front Bracket	1	piece
11	Q151B2085TF3	Hexagon Head Bolt- Fine Thread	2	piece
12	Q1811445TF3	Toothed Bolt With Hexagon Flange	3	piece
13	Q1811455TF3	Toothed Bolt With Hexagon Flange	1	piece
14	Q1811465TF3	Toothed Bolt With Hexagon Flange	4	piece
15	Q1811480TF3	Toothed Bolt With Hexagon Flange	7	piece
16	Q151B2065TF3	Hexagon Head Bolt- Fine Thread	2	piece
17	SXQ1851860TF3	Hexagon Flange Bolt	2	piece

Engine accessories



Reference number	Part Number	Part Name	quantity	Unit of measurement
1	Q41810	Corrugated Elastic Washer	12	piece
2	Q150B1080	Hexagon Head Bolt (Galvanized)	12	piece

Exhaust System

Reference number	Part Number	Part Name	quantity	Unit of measurement
	DZ96259547092	Front Exhaust Pipe Assembly	1	piece
	DZ9112540058	Flexible Hose	1	piece
	DZ9X259544001	V-Shaped Clamp (Φ 150)	3	piece
	DZ9112540017	Sealing Washer	3	piece
	DZ96259547093	Rear Exhaust Pipe Assembly	1	piece
	DZ95319540050	Clamp (S)	1	piece
	DZ95319540051	Clamp (S)	1	piece
	Q1841040T1F31	Hexagon Flange Bolt	1	piece
	Q33010	All Metal Hexagonal Flange Locking Nut-Galvanized	2	piece
	DZ96259544060	Exhaust Pipe Bracket	1	piece

DZ9X259542303	M10 National V After-treatment (Forward-facing Side Exhaust /	1	piece
DZ9X259544000	V-Clamp/Φ132	1	piece
DZ95259540029	Sealing Washer	1	piece
DZ97259543516	Connecting Bracket	2	piece
Q1811435TF3	Hexagon Flange Facing Toothed Bolt	8	piece
DZ97259543515	Mounting Bracket	2	piece
Q1811490TF3	Toothed Bolt With Hexagon Flange	7	piece
06.11251.2005	Hexagon Nut With Flange/M7.112.40 M14*1.5-10-MAN183B1	7	piece
DZ9X259545033	Rear Bracket Cover	2	piece
Q1811445TF3	Toothed Bolt With Hexagon Flange	4	piece
DZ9A259547008	Tail Tube Assembly	1	piece
DZ9X259546002	Upper heat shield	1	piece
Q1840816T1F31	Hexagon Flange Bolt	8	piece
DZ9X259546003	Side Insulation Plate	1	piece
DZ97259190411	Cushion Cover	2	piece
DZ97259543510	Pad Cover	1	piece

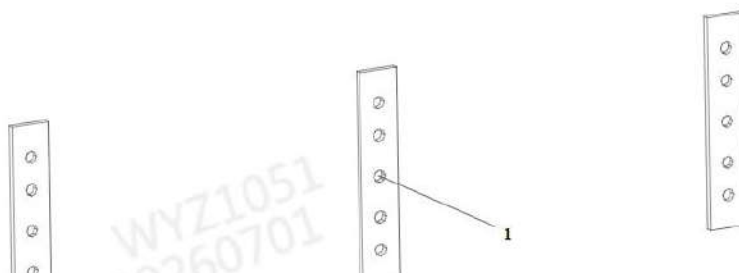
Front Exhaust Pipe Assembly

Reference number	Part Number	Part Name	quantity	Unit of measurement
	DZ93189540060	Take Over	1	piece
	DZ96259547094	Front Exhaust Pipe	1	piece
	DZ9X259540001	Take Over	1	piece

Rear Exhaust Pipe Assembly

Reference number	Part Number	Part Name	quantity	Unit of measurement
	DZ93189540060	Take Over	1	piece
	DZ96259547095	Rear Exhaust Pipe	1	piece
	DZ9H259540507	Connecting Pipe (120-139)	1	piece

Frame Outer Pad





2020

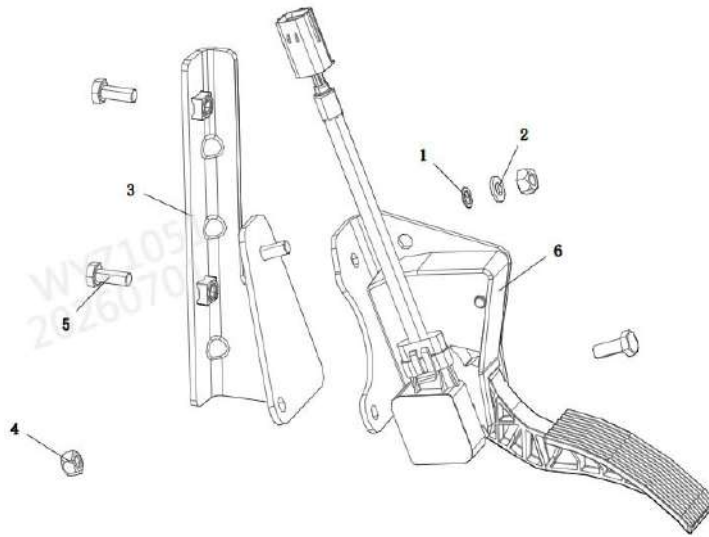


Reference number	Part Number	Part Name	quantity	Unit of measurement
1	SZ955000956	Base Plate	3	piece

Fuel Line Assembly

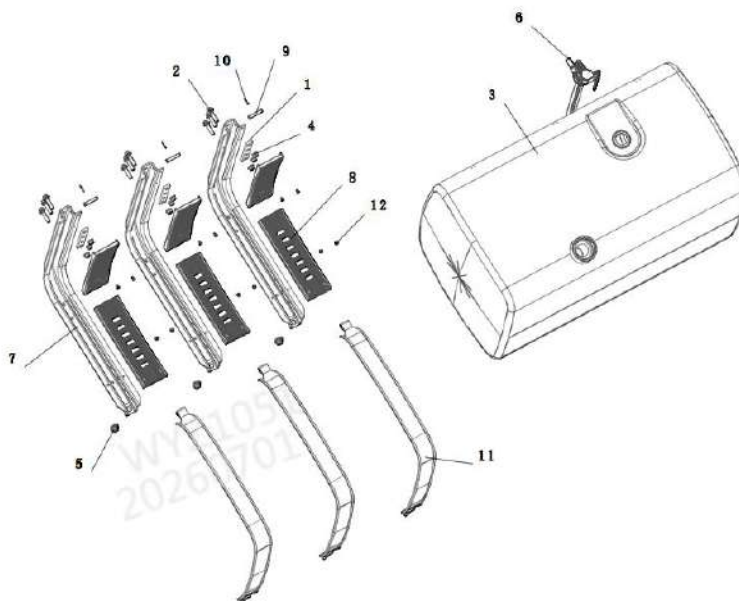
Reference number	Part Number	Part Name	quantity	Unit of measurement
	DZ91189556001	Oil Pipe	1.8	米
	DZ91189556001	Oil Pipe	1	米
	DZ91189556001	Oil Pipe	2.3	米
	190003179781	Polyamide Pipe Pa11-8 × 1 Qc/T80-	0.5	米
	DZ91189550478	Long Term Fuel Primary Filter/Water Level Sensor	1	piece
	DZ95189550168	Primary Filter Bracket Assembly	1	piece
	DZ95189553033	Cushion Cover	1	piece
	DZ95189553031	Cushion Cover	1	piece
	Q1811490TF3	Toothed Bolt With Hexagon Flange	2	piece
	06. 11251. 2005	Hexagon Nut With Flange/M7. 112. 40 M14*1. 5-10-MAN183B1	2	piece
	Q1811245TF3	Toothed Bolt With Hexagon Flange	4	piece
	06. 11251. 2003	Hexagon Nut With Flange/M7. 112. 40 M14*1. 5-10-MAN183B1	4	piece
	DZ97189550603	Hose Joint/16×2	2	piece
	DZ97189550604	Hose Joint/16×2	4	piece
	DZ97189550607	Transition Joint/NG12	2	piece
	DZ95189553025	Oil Pipe Bracket	2	piece
	Q1811430TF3	Hexagon Flange Facing Toothed Bolt	2	piece
	06. 11251. 2005	Hexagon Nut With Flange/M7. 112. 40 M14*1. 5-10-MAN183B1	2	piece
	DZ9A259189200	Fuel Pipe Bracket - Longitudinal Beam Outer/Urea Tank	1	piece
	DZ96319542313	Cushion Cover	2	piece
	DZ97259550030	Oil Tube Bracket	2	piece
	Q1811440TF3	Toothed Bolt With Hexagon Flange	2	piece
	Q1811445TF3	Toothed Bolt With Hexagon Flange	4	piece
	06. 11251. 2005	Hexagon Nut With Flange/M7. 112. 40 M14*1. 5-10-MAN183B1	6	piece
	DZ93189777161	Ordinary Narrow Cable Tie	20	piece
	DZ9X259126120	Bidirectional Isolation Tie	1	piece

Throttle Control



Reference number	Part Number	Part Name	quantity	Unit of measurement
1	Q40308	Spring Washer 190003931102	1	piece
2	Q401B08	Flat Washer	1	piece
3	DZ96189570103	Pedal Bracket Assembly/M3000S	1	piece
4	Q33208T2F3	2 Type All Metal Hexagonal Lock Nut	1	piece
5	Q150B0820T1F3	Hexagon Head Bolt	1	piece
6	DZ97189570486	Accelerator Pedal Assembly/ISM/X3000 New Interior	1	piece

Fuel Supply System



Reference number	Part Number	Part Name	quantity	Unit of measurement
	DZ97189551407	Aluminum alloy fuel tank assembly	1	piece
	DZ96189556790	Fuel Tank Bracket Assembly	3	piece
	DZ95189550061	Base Plate	3	piece
	Q1811455TF3	Toothed Bolt With Hexagon Flange	9	piece
	06.11251.2005	Hexagon Nut With Flange/M7.112.40 M14*1.5-10-MAN183B1	9	piece
	DZ91259550693	Fastener And Cushion Assembly/83/700×700	3	piece
	Q5101265	Axis Pin	3	piece
	Q5004020	Cotter Pin	3	piece
	DZ91189550396	Insert Type Nut	3	piece
	DZ91189552039	Base Plate	6	piece
	81.96002.0333	Plug	12	piece
	DZ93189553071	Fuel Sensor/665/16	1	piece

Fuel Tank Bracket Assembly

Reference number	Part Number	Part Name	quantity	Unit of measurement
	DZ96189556791	Fuel Tank Bracket	1	piece

Fastener And Cushion Assembly/83/700×700



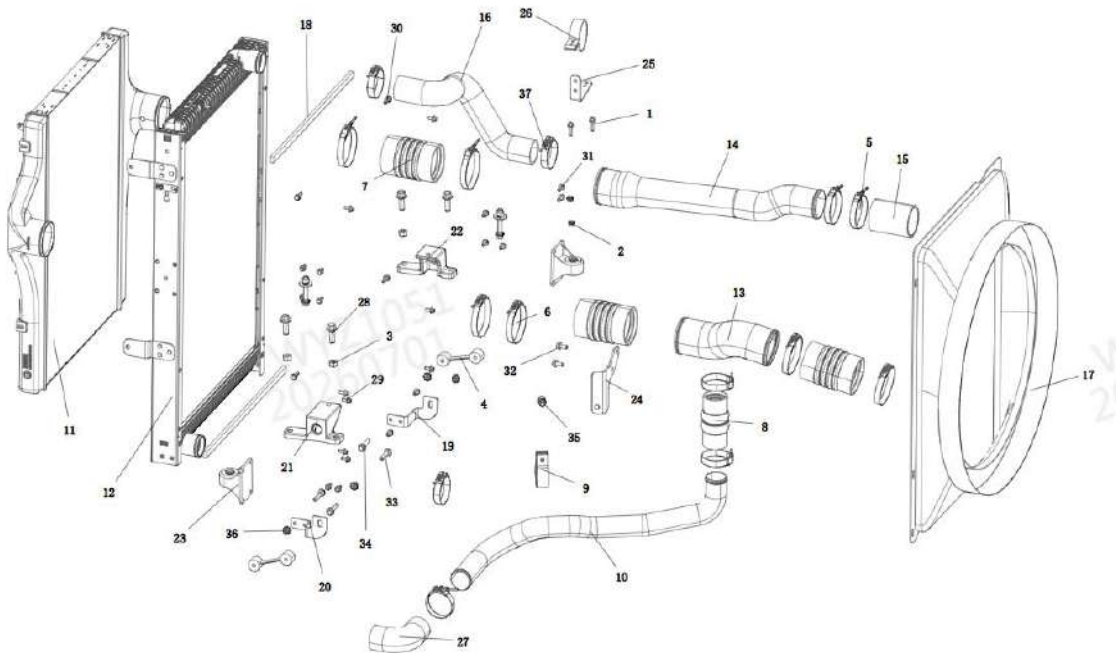
Reference number	Part Number	Part Name	quantity	Unit of measurement
	DZ91259550670	Tightening Strap Assembly (700 ×	1	piece
	DZ91259550616	Pull Strap Cushion Strap	1	piece

Tightening Strap Assembly (700 × 700)



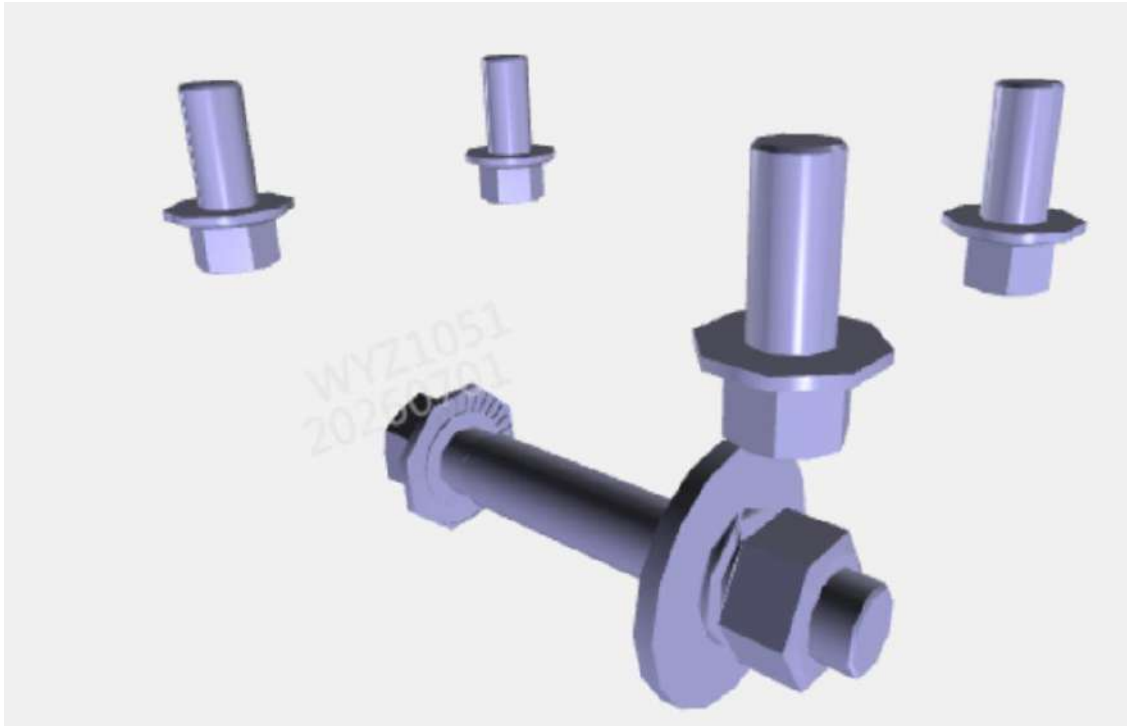
Reference number	Part Number	Part Name	quantity	Unit of measurement
	DZ91259550671	Fastening Strap	1	piece
	81.97462.2007	Locking Screw	1	piece
	DZ91259550613	Bushing	1	piece

Cooling System



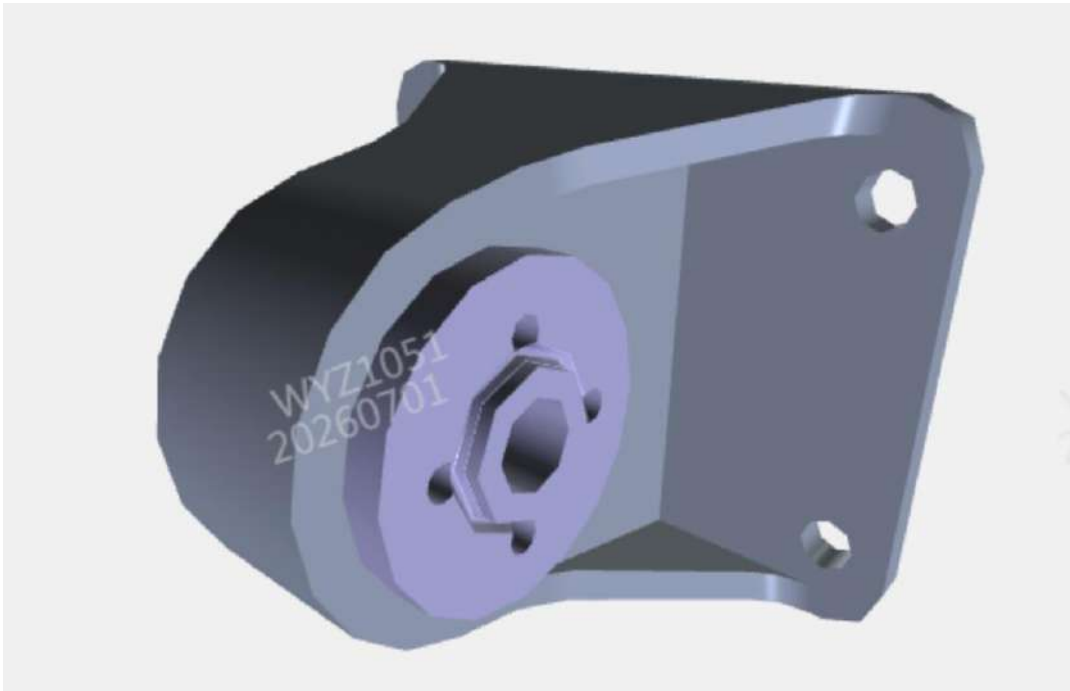
Reference number	Part Number	Part Name	quantity	Unit of measurement
1	Q1840830T1F31	Hexagon Flange Bolt	2	piece
2	Q32008T2F60	Hexagon Nut	2	piece
3	190003888620	Self-Locking Nut	2	piece
4	81.06245.0043	Swing Bracket Assembly	2	piece
5	DZ9003532093	T-Clamp	2	piece
6	DZ9003532115	T-Clamp	2	piece
7	DZ93259535312	Inner Fluorine Outer Silicone Hose	1	piece
8	DZ93259535323	Inner Fluorine Outer Silicone Hose	1	piece
9	DZ93259538605	Water Pipe Clip/Φ60	1	piece
10	DZ96149534132	Radiator Water Outlet Steel Pipe	1	piece
11	DZ96259531033	Intercooler Assembly	1	piece
12	DZ96259532041	Radiator Assembly	1	piece
13	DZ96259534386	Intercooler Return Air Steel Pipe	1	piece
14	DZ96259534505	Intercooler Inlet Pipe	1	piece
15	DZ96259535063	Inner Fluorine Outer Silicone Hose	1	piece
16	DZ96259535212	Radiator water inlet rubber pipe	1	piece
17	DZ96259536184	C-Shaped Wind Shield	1	piece
18	DZ96259537017	Sponge Sealing Strip	2	piece
19	DZ96259538076	Right Connecting Plate	1	piece
20	DZ96259538033	Left Connecting Plate	1	piece
21	DZ96259538231	Left Radiator Bracket (Cast	1	piece
22	DZ96259538232	Radiator Right Bracket (Cast	1	piece
23	DZ97259531800	Radiator Support Bracket Assembly	2	piece
24	DZ97259538300	Drainage Pipe Bracket	1	piece
25	DZ97259538388	Intercooler Air Intake Steel Pipe Bracket	1	piece
26	DZ98149533004	Intermediate Cooling Steel Pipe Fixing Clamp (Φ80)	1	piece
27	DZ9X259535009	Retarder Bending Hose	1	piece
28	Q1811440TF3	Toothed Bolt With Hexagon Flange	2	piece
32	Q1841020T1F31	Hexagon Flange Bolt	2	piece
33	Q1841045	Hexagon Flange Bolt	2	piece
34	Q1841050T1F3	Hexagon Flange Bolt	2	piece
35	Q1841030T1F31	Hexagon Flange Bolt	1	piece
36	Q32010T2F60	Hexagon Nut	4	piece
37	DZ97259533007	Lining Style Large American Style Clamp 75	2	piece

Radiator Support Bracket Assembly



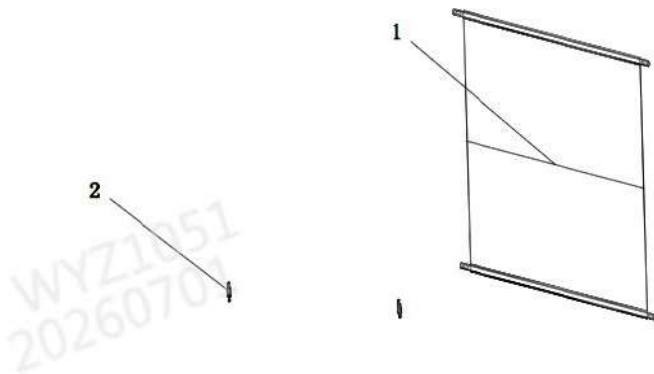
Reference number	Part Number	Part Name	quantity	Unit of measurement
	Q402B12	Large Washer (Galvanized)	1	piece
	Q40312	Spring Washer 190003931142	1	piece
	Q341C12T2F3	Type 1 Hex Nut	1	piece
	81.06225.6008	Radiator Support Bracket Assembly	1	piece
	Q1811275TF3	Toothed Bolt With Hexagon Flange	1	piece
	Q1840816T1F31	Hexagon Flange Bolt	4	piece

Radiator Support Bracket Assembly



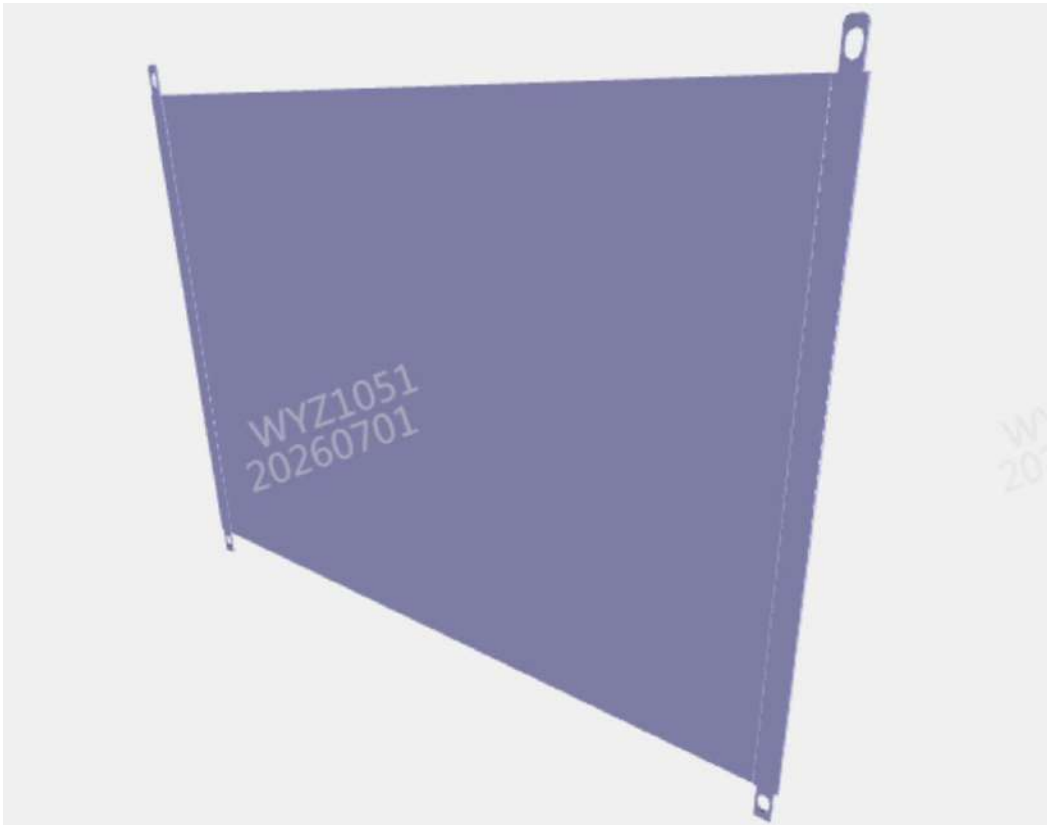
Reference number	Part Number	Part Name	quantity	Unit of measurement
	81.06225.0004	Radiator Bracket	1	piece
	81.96210.0426	Radiator Support Block	1	piece

Insect Prevention Net



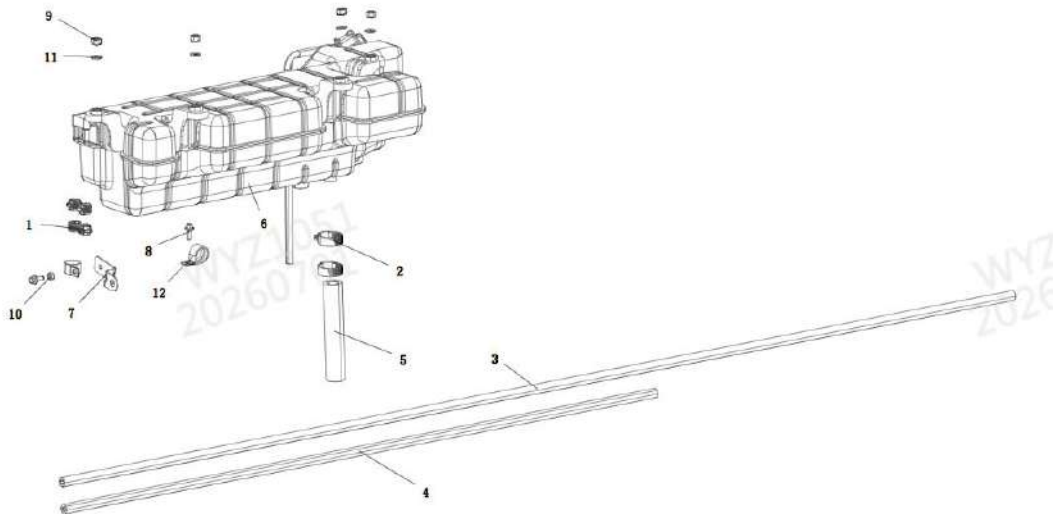
Reference number	Part Number	Part Name	quantity	Unit of measurement
1	DZ96259537003	Insect Screen Assembly	1	piece
2	DZ95259537001	Ring Spring	2	piece

Insect Screen Assembly



Reference number	Part Number	Part Name	quantity	Unit of measurement
	DZ96259537004	Insect Prevention Net	1	piece
	DZ96259538047	Lining Plate	2	piece

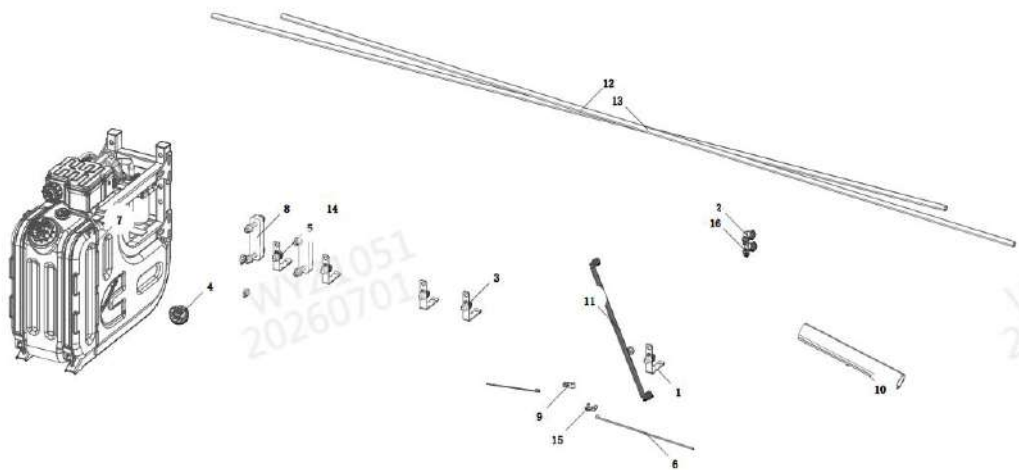
Expansion Tank



Reference number	Part Number	Part Name	quantity	Unit of measurement
1	190003989300	Hose Clamp	4	piece
3	DZ91259535208	Rubber Hose	1	piece
4	DZ91259535209	Rubber Hose	1	piece

5	DZ91259535215	Rubber Hose	1	piece
6	DZ96149533009	Expansion Tank	1	piece
7	DZ9L149778215	Wire Harness Fixing Bracket (Wp9/Cylinder Head)	1	piece
8	Q1840616T1F31	Hexagon Flange Bolt	2	piece
9	Q33208T2F3	2 Type All Metal Hexagonal Lock Nut	4	piece
10	Q340B06F60	Type 1 Hex Nut	1	piece
11	Q401B08	Flat Washer	4	piece
12	SZ947000859	Fixed Clamp (7/8 ")	2	piece

Urea Supply System



Reference number	Part Number	Part Name	quantity	Unit of measurement
1	06.11251.2005	Hexagon Nut With Flange/M7.112.40 M14*1.5-10-MAN183B1	10	piece
2	DZ9X259747000	Right Angle Quick Connector/NW8-90	2	piece
3	Q1811435TF3	Hexagon Flange Facing Toothed Bolt	5	piece
4	DZ95259740577	Threaded Four Lock One Urea Tank	1	piece
5	DZ96189777002	L-Shaped Harness Flip Beam Bracket	5	piece
6	DZ97189361000	Plastic Fastening Belt/-50℃-105℃	2	piece
7	DZ97259741011	60L urea tank sub assembly	1	piece
8	DZ9A259740005	Base plate	2	piece
9	DZ9X259744046	Single Tube Clamp (Φ12)	2	piece
10	DZ9X259747401	Insulation Sheath	1	piece
11	DZ95259540897	Urea Injection Line (L=4000)	1	piece
12	DZ97259740522	Urea Tank Return Pipe	1	piece
13	DZ95259540393	Urea Tank Water Pipe	1	piece
14	Q18114100TF3	Toothed Bolt With Hexagon Flange	4	piece
15	Q1840816T1F31	Hexagon Flange Bolt	2	piece
16	Q67522	A-Type Worm Drive Hose Hoop	4	piece

60L urea tank sub assembly

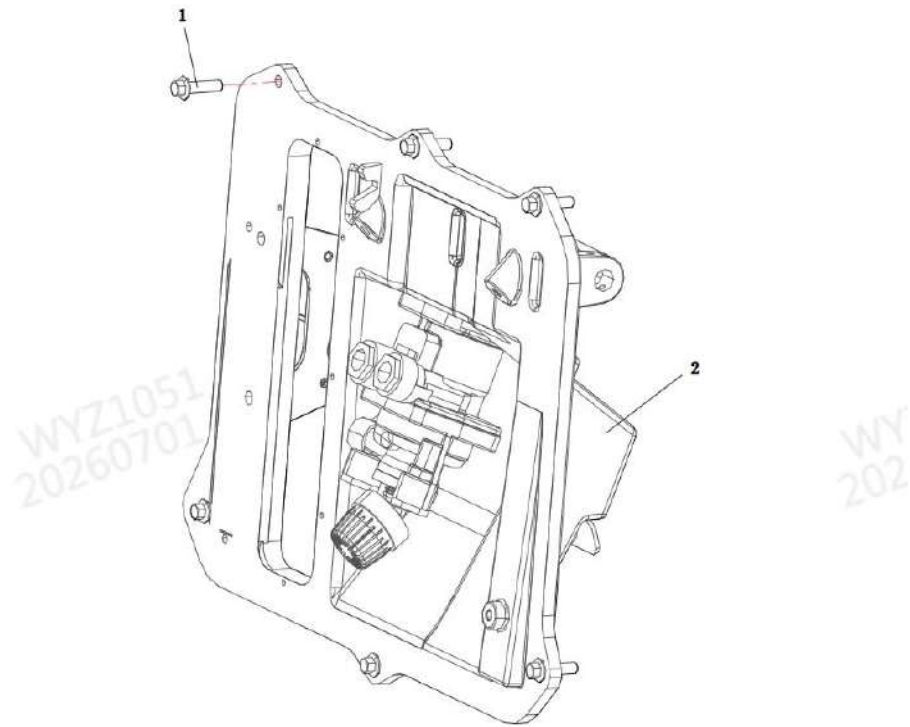
Reference number	Part Number	Part Name	quantity	Unit of measurement
	06.11251.2005	Hexagon Nut With Flange/M7.112.40 M14*1.5-10-MAN183B1	1	piece
	DZ9X189777005	Urea Tank Module Harness	1	piece
	DZ9X259744122	Water Pipe Bracket	1	piece
	DZ9X259745022	60L Urea Tank (Integrated Pump Housing / Optimized Filler Neck / CES / Cummins Part No. : 5519304)	1	piece
	Q1811460TF3	Toothed Bolt With Hexagon Flange	1	piece

Drive System

Transmission

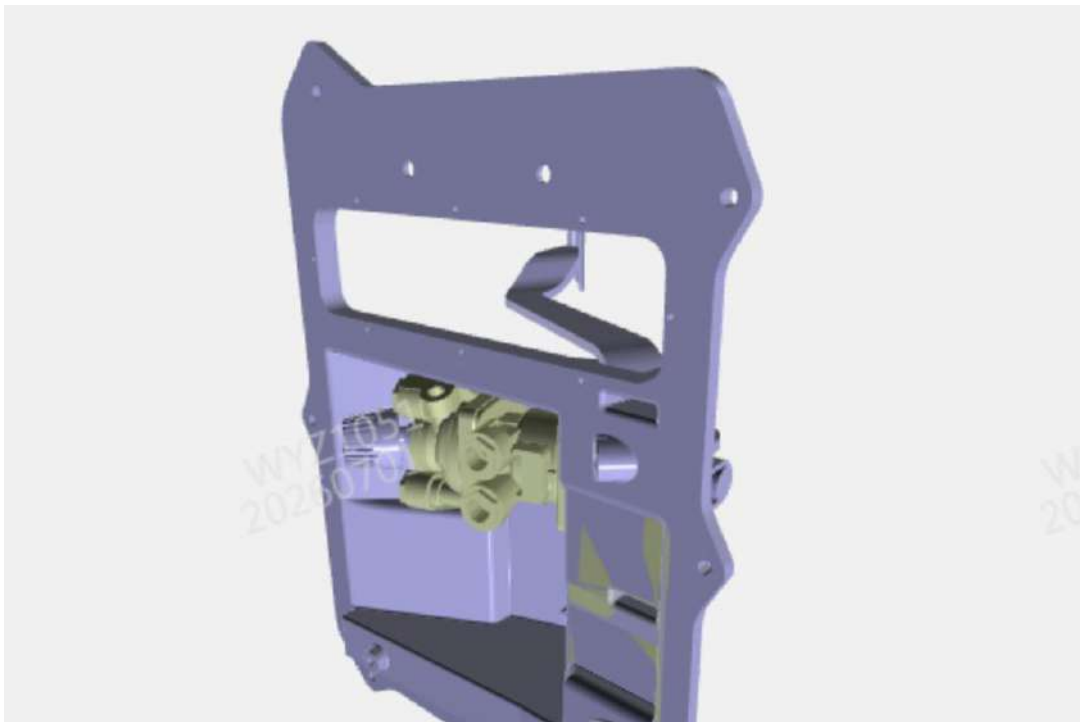
Reference number	Part Number	Part Name	quantity	Unit of measurement
	DZ97319220919	Transmission/AMT/16- speed/SF16JZ220A (aluminum housing/SAE1/four-point mounting/180-tooth end face/QHG50C flange/998/M10E5 460/rear axle 3-	1	piece
	SXQ1201055TF3	Stud/bm=1.25d	12	piece

Clutch control



Reference number	Part Number	Part Name	quantity	Unit of measurement
	DZ97189230900	Pedal mechanism assembly	1	piece
	Q1840830T1F31	Hexagon Flange Bolt	6	piece

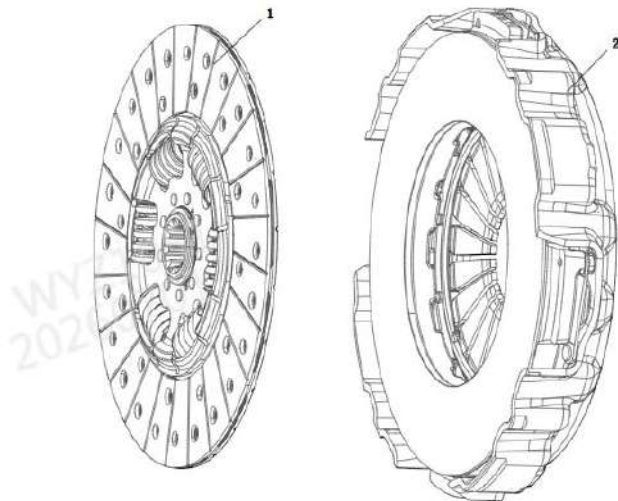
Pedal mechanism assembly





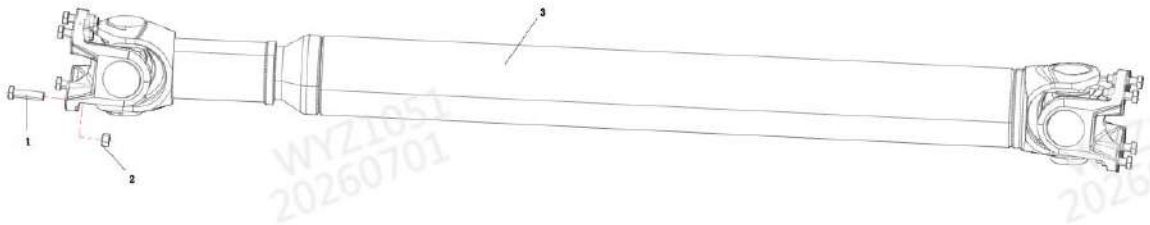
Reference number	Part Number	Part Name	quantity	Unit of measurement
	DZ97189230610	Pedal Mechanism Assembly	1	piece
	DZ93189360034	Master Brake Valve	1	piece
	Q40308	Spring Washer 190003931102	4	piece
	Q340B08T2F3	Type 1 Hex Nut	4	piece
	DZ97189230001	Cover Plate (BH)	1	piece
	DZ97189230002	Sealing Washer	1	piece
	Q150B0618	Hexagon Head Bolt (Galvanized)	2	piece
	Q33206	2 Type All Metal Hexagonal Lock	2	piece

Clutch



Reference number	Part Number	Part Name	quantity	Unit of measurement
1	DZ91149160020	Driven Plate Assembly	1	piece
2	DZ91149160019	Clutch Cover Assembly	1	piece

Transmission Shaft



Reference number	Part Number	Part Name	quantity	Unit of measurement
1	Q151B1455TF3	Hexagonal Head Bolt	8	piece
2	1.90004E+11	Self-Locking Nut	8	piece
3	DZ9114315188	Telescopic Transmission Shaft/47000Nm/180/Expansion length110/length=1880	1	piece

Telescopic Transmission Shaft/47000Nm/180/Expansion length110/length=1880

Reference number	Part Number	Part Name	quantity	Unit of measurement
	4010101-DZ911431	4010101/Telescoping Drive Shaft/Yield: 47,000 Nm/180 End/Extension: 110/Length: 1,880	1	
	6010006-DZ911431	6010006/Telescoping Drive Shaft/Yield: 47,000 Nm/180 End/Extension: 110/Length: 1,880	1	

4010101/Telescoping Drive Shaft/Yield: 47,000 Nm/180 End/Extension: 110/Length: 1,880

Reference number	Part Number	Part Name	quantity	Unit of measurement
	P6564110011A	Φ 68 Flange Fork (New)	2	piece
	PHWJ-707-00A	Φ68 Universal Joint (New)	2	piece

6010006/Telescoping Drive Shaft/Yield: 47,000 Nm/180 End/Extension: 110/Length:

Reference number	Part Number	Part Name	quantity	Unit of measurement
	P6564110011A	Φ 68 Flange Fork (New)	2	piece
	PHWJ-707-00A	Φ 68 Universal Joint (New)	2	piece

Walking System

Steering Axle

Reference number	Part Number	Part Name	quantity	Unit of measurement
	DZ95259380306	M7.5T Left Front Axle 2036/880/20 Disc ABS/M Suspension /130×112	1	piece

Rear Suspension

Reference number	Part Number	Part Name	quantity	Unit of measurement
	DZ97189520400	Rear Leaf Spring Assembly	2	piece
	199100520065	Spring Pin	4	piece
	SZ970000886	Grease Nipple AM10×1	2	piece
	DZ93189525415	Rear Plate Spring Clamping Plate	2	piece
	81.41312.0251	U Bolt	4	piece
	81.90712.0036	Ball Type Washer	8	piece
	06.11289.0005	Self-locking Nut M24*2-10-A3C	8	piece
	DZ95259520443	Rear Plate Spring Front Bracket	2	piece
	Q1811460TF3	Toothed Bolt With Hexagon Flange	4	piece
	06.11251.2005	Hexagon Nut With Flange/M7.112.40 M14*1.5-10-MAN183B1	12	piece
	Q1811275TF3	Toothed Bolt With Hexagon Flange	2	piece
	06.11251.2003	Hexagon Nut With Flange/M7.112.40 M14*1.5-10-MAN183B1	4	piece
	DZ96189520418	Rear Spring Left Rear Bracket	1	piece

DZ96189520419	Rear Spring Right Rear Bracket	1	piece
Q1811650TF3	Toothed Bolt With Hexagon Flange	4	piece
SXQ32516T13F3	Hexagon Flange Face Toothed Nut	4	piece
Q151B1665TF3	Hexagon Head Bolt- Fine Thread	4	piece
190003888627	Self-Locking Nut	4	piece
SZ952000787	Bracket Assembly	2	piece
81.96210.0361	Stop Buffer Pad	2	piece
Q1811440TF3	Toothed Bolt With Hexagon Flange	4	piece
Q1811450TF3	Toothed Bolt With Hexagon Flange	8	piece
06.11251.2005	Hexagon Nut With Flange/M7.112.40 M14*1.5-10-MAN183B1	12	piece
81.96020.6013	Hollow Rubber Buffer Block	2	piece
Q1811235TF3	Toothed Bolt With Hexagon Flange	2	piece
06.11251.2003	Hexagon Nut With Flange/M7.112.40 M14*1.5-10-MAN183B1	2	piece

Rear Spring Left Rear Bracket Assembly

Reference number	Part Number	Part Name	quantity	Unit of measurement
	DZ96189520417	Rear Leaf Spring Rear Bracket	1	piece
	DZ95259520448	Rear Spring Lifting Lug Assembly	1	piece
	199100520065	Spring Pin	1	piece
	Q151C1275T1F3	Hexagon Head Bolt- Fine Thread	1	piece
	190003888457	Self-Locking Nut	1	piece
	168000520050	Washer	2	piece

Rear Spring Lifting Lug Assembly



Reference number	Part Number	Part Name	quantity	Unit of measurement
	DZ95259520447	Rear Spring Lifting Lug	1	piece
	199000520079	Bushing	1	piece

Rear Spring Right Rear Bracket Assembly

Reference number	Part Number	Part Name	quantity	Unit of measurement
	DZ96189520417	Rear Leaf Spring Rear Bracket	1	piece
	DZ95259520448	Rear Spring Lifting Lug Assembly	1	piece
	199100520065	Spring Pin	1	piece
	Q151C1275T1F3	Hexagon Head Bolt- Fine Thread	1	piece
	190003888457	Self-Locking Nut	1	piece
	168000520050	Washer	2	piece

Rear Spring Lifting Lug Assembly



Reference number	Part Number	Part Name	quantity	Unit of measurement
	DZ95259520447	Rear Spring Lifting Lug	1	piece
	199000520079	Bushing	1	piece

Bracket Assembly

Reference number	Part Number	Part Name	quantity	Unit of measurement
	81.41410.2028	Bracket	1	piece
	81.41410.2029	Bracket	1	piece

Hollow Rubber Buffer Block

Reference number	Part Number	Part Name	quantity	Unit of measurement
	81.96020.6006	Rubber Buffer Block Assembly	1	piece
	81.94299.0925	Sleeve	1	piece

Rubber Buffer Block Assembly

Reference number	Part Number	Part Name	quantity	Unit of measurement
	81.96020.0172	Rubber Buffer Block	1	piece
	81.96240.0032	Sealing Flange	1	piece

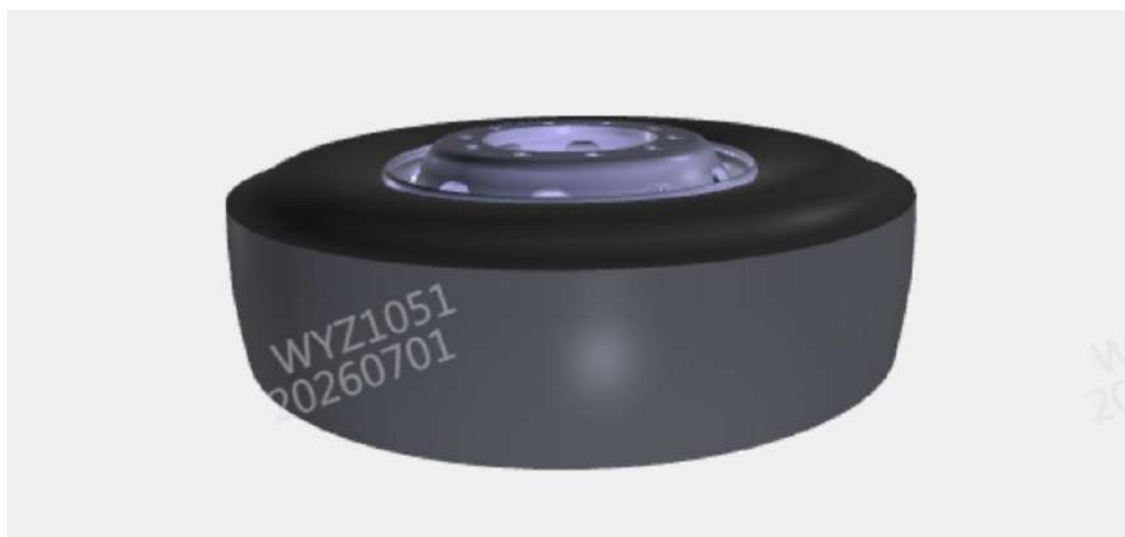
Wheel Assembly

Reference number	Part Number	Part Name	quantity	Unit of measurement
	DZ95259611199	Tyre	2	piece
	DZ95259611171	315/80R22.5 Tire Assembly 18PR/9.00/16/Longitudinal Pattern	5	piece
	DZ95189611300	Wheel Nut (30)	40	piece

Tyre

Reference number	Part Number	Part Name	quantity	Unit of measurement
	DZ93189610386	Tyre	1	piece
	DZ93259611175	11.75×22.5 Plate Type Wheel	1	piece

315/80R22.5 Tire Assembly 18PR/9.00/16/Longitudinal Pattern



Reference number	Part Number	Part Name	quantity	Unit of measurement
	DZ9114610021	Tire/Longitudinal Pattern/315/80R22.5/18PR	1	piece
	DZ93259619016	Wheel Rim/9.00×22.5/16	1	piece

Front Suspension

Reference number	Part Number	Part Name	quantity	Unit of measurement
	DZ97259690623	Front Leaf Spring Assembly	2	piece
	199014520304	Spring Seat	2	piece
	199000520006	Guide Pin	2	piece
	DZ9100520065	Spring Pin	2	piece
	DZ9100520007	Spring Pin	1	piece
	168000520050	Washer	4	piece
	Q151C1275T1F3	Hexagon Head Bolt- Fine Thread	2	piece
	190003888457	Self-Locking Nut	4	piece
	SZ970000883	Grease Nipple CM10×1	2	piece
	SZ970000886	Grease Nipple AM10×1	1	piece
	DZ98149691025	Lifting Lug	2	piece
	DZ97259690701	Spring Pressing Plate	2	piece
	SZ970000829	Rubber Position Limit Block	2	piece
	DZ97259690713	U-Bolt/M20/240	2	piece
	DZ97259690718	U-Bolt/M20/220	2	piece
	DZ97259520454	High Strength Gasket	8	piece
	DZ91259527020	Dtf Hex Flange Nut M20 × 1.5-10	8	piece
	SZ970000835	Front Bracket For Leaf Spring I	2	piece
	Q1811450TF3	Toothed Bolt With Hexagon Flange	8	piece
	06.11251.2005	Hexagon Nut With Flange/M7.112.40 M14*1.5-10-MAN183B1	10	piece
	DZ96259690613	Front Leaf Spring Left Rear Bracket Assembly	1	piece
	DZ96259690614	Front Leaf Spring Right Rear Bracket Assembly	1	piece
	Q1811465TF3	Toothed Bolt With Hexagon Flange	20	piece
	06.11251.2005	Hexagon Nut With Flange/M7.112.40 M14*1.5-10-MAN183B1	20	piece
	DZ95259690646	Axle Position Limit Frame Assembly	2	piece
	Q1811440TF3	Toothed Bolt With Hexagon Flange	2	piece
	06.11251.2005	Hexagon Nut With Flange/M7.112.40 M14*1.5-10-MAN183B1	2	piece

Front Leaf Spring Left Rear Bracket Assembly



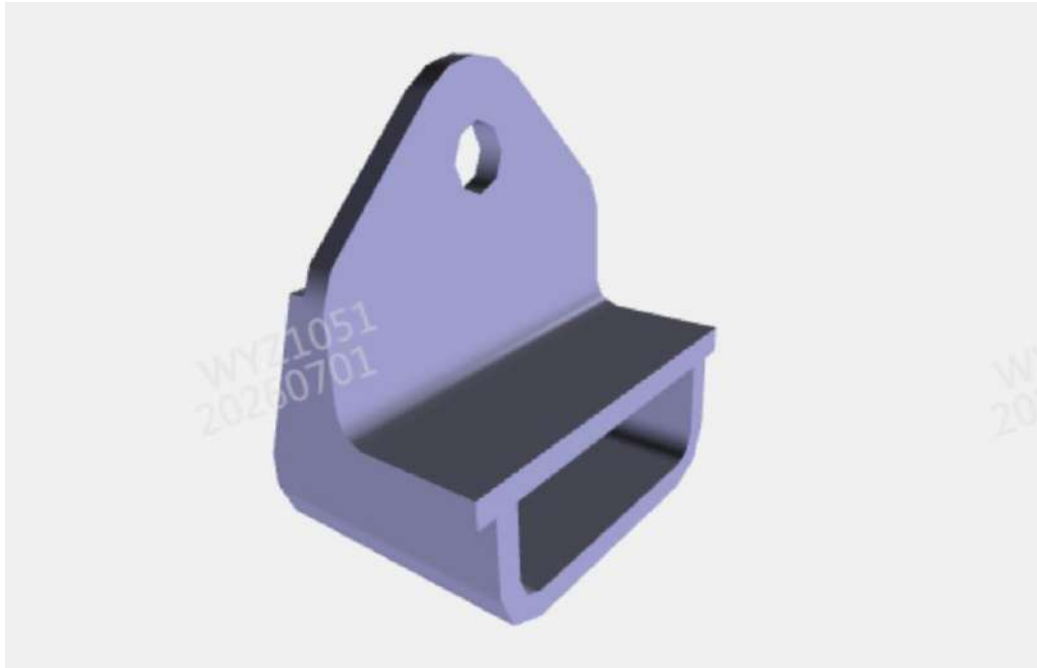
Reference number	Part Number	Part Name	quantity	Unit of measurement
	199000520078	Bushing	1	piece
	DZ96259690611	Front Leaf Spring Left Rear Bracket	1	piece

Front Leaf Spring Right Rear Bracket Assembly



Reference number	Part Number	Part Name	quantity	Unit of measurement
	DZ96259690612	Front Leaf Spring Right Rear	1	piece
	199000520078	Bushing	1	piece

Axle Position Limit Frame Assembly



Reference number	Part Number	Part Name	quantity	Unit of measurement
	DZ95259690647	U-Plate	1	piece
	DZ95259690648	L-Type Plate	1	piece

Drive Axle

Reference number	Part Number	Part Name	quantity	Unit of measurement
	DZ97189390223	Drive Axle	1	piece
	DZ95189363007	Diaphragm Spring Brake Chamber (30/24-75)	2	piece
	Q40114	Flat Washer 190003935015	2	piece
	Q5004025	Split Pin	2	piece
	Q5101440	Pin 190003903661	2	piece

Suspension accessories

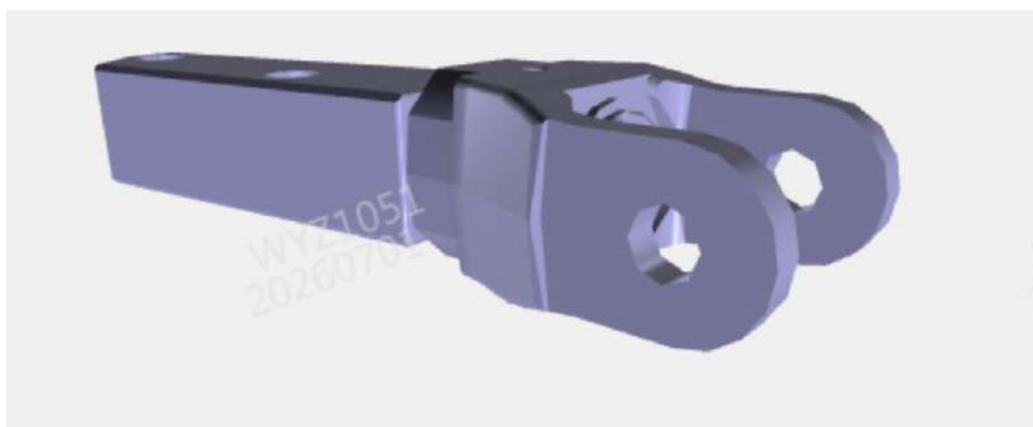
Reference number	Part Number	Part Name	quantity	Unit of measurement
	DZ95259680640	Shock Absorber Assembly	2	piece
	DZ9100680038	Bolt	2	piece
	190003888459	Self-Locking Nut	2	piece
	DZ96189680101	Shock Absorber Bracket Assembly	2	piece
	Q1811445TF3	Toothed Bolt With Hexagon Flange	8	piece
	06.11251.2005	Hexagon Nut With Flange/M7.112.40 M14*1.5-10-MAN183B1	8	piece
	DZ95259680100	Front Axle Absorber Bracket	2	piece
	Q40316	Elastic Washer	4	piece
	Q151B1660T1F3	Hexagon Head Bolt- Fine Thread	4	piece
	199012680009	Bolt	2	piece
	190003888459	Self-Locking Nut	2	piece
	DZ91259680000	Grease Nipple AM8×1	2	piece
	DZ97259680121	Front Stabilizer Bar Assembly	1	piece
	DZ97259680155	Hanger Welding Assembly And Bush//Front Stabilizer Bar	2	piece
	Q151B2480TF3	Hexagon Head Bolt- Fine Thread	2	piece
	Q151B1690TF3	Hexagon Head Bolt- Fine Thread	2	piece
	190003888459	Self-Locking Nut	2	piece
	DZ97259520009	Washer (S)	2	piece
	DZ97259520010	Washer (S)	2	piece
	DZ97259680138	Stabilizer Bar Bracket	2	piece
	Q1811450TF3	Toothed Bolt With Hexagon Flange	2	piece
	Q1811440TF3	Toothed Bolt With Hexagon Flange	4	piece
	06.11251.2005	Hexagon Nut With Flange/M7.112.40 M14*1.5-10-MAN183B1	6	piece
	DZ97259680140	Bearing Seat Assembly	2	piece
	81.43704.0074	Double Slit Bush	2	piece
	DZ95259680015	Shock Absorber Assembly	2	piece
	81.43705.0178	Stabilizer Bar And Shock Absorber Bracket	1	piece
	81.43705.0179	Stabilizer Bar And Shock Absorber Bracket	1	piece
	199100680036	Bolt	2	piece
	190003888459	Self-Locking Nut	2	piece
	DZ91189686019	Stabilizer Bar Assembly	1	piece
	81.43718.5084	Stabilizer Bar Bracket Assembly	2	piece
	81.91020.0618	Axis Pin	2	piece
	06.15150.2102	Gasket M17 (Galvanized)	2	piece
	190003888459	Self-Locking Nut	2	piece
	81.43705.6046	Stabilizer Bar Bracket Assembly	2	piece
	Q1811445TF3	Toothed Bolt With Hexagon Flange	8	piece
	06.11251.2005	Hexagon Nut With Flange/M7.112.40 M14*1.5-10-MAN183B1	8	piece
	81.43718.0037	Support Cover	2	piece
	81.43722.0040	Stabilizer Bar Bush	2	piece
	Q18114105TF3	Toothed Bolt With Hexagon Flange	4	piece
	06.11251.2005	Hexagon Nut With Flange/M7.112.40 M14*1.5-10-MAN183B1	4	piece
	Q1811480TF3	Toothed Bolt With Hexagon Flange	4	piece

Shock Absorber Bracket Assembly



Reference number	Part Number	Part Name	quantity	Unit of measurement
	DZ96189680100	Shock Absorber Bracket	1	piece
	DZ9118680032	Sealing Plate	1	piece
	199112680020	Washer	2	piece

Front Axle Absorber Bracket Subassembly



Reference number	Part Number	Part Name	quantity	Unit of measurement
------------------	-------------	-----------	----------	---------------------

1.99013E+11	Lower Bracket Link Fork	1	piece
DZ9100680065	Bracket	1	piece
1.90004E+11	Elastic Stop Ring For Axle/34×2.5-	1	piece

Front Stabilizer Bar Assembly



Reference number	Part Number	Part Name	quantity	Unit of measurement
	DZ97259680120	Front Stabilizer Bar	1	piece
	81.43722.0059	Split Bush	2	piece

Hanger Welding Assembly And Bush//Front Stabilizer Bar



Reference number	Part Number	Part Name	quantity	Unit of measurement
------------------	-------------	-----------	----------	---------------------

DZ97259680154	Stabilizer Bar Hanger	1	piece
DZ97259680153	Bushing	1	piece

Bearing Seat Assembly



Reference number	Part Number	Part Name	quantity	Unit of measurement
	Q1811470TF3	Toothed Bolt With Hexagon Flange	2	piece
	DZ97259680141	Bearing Seat	1	piece
	DZ97259680142	Bearing Cover	1	piece

Stabilizer Bar Assembly

Reference number	Part Number	Part Name	quantity	Unit of measurement
	DZ91189681019	Stablizing Bar	1	piece
	81.43271.0080	Joint Joint	2	piece

Stabilizer Bar Bracket Assembly

Reference number	Part Number	Part Name	quantity	Unit of measurement
	81.43705.0212	Stabilizer Bar Bracket	1	piece
	81.43722.0063	Split Bush	1	piece

Steering System

Steering Control

Reference number	Part Number	Part Name	quantity	Unit of measurement
	DZ96259460515	Steering Wheel Assembly/M3000	1	piece
		Steering Column		
	DZ96189460522	Assembly/M3000/LHD/Multi Function	1	piece
		Steering Wheel/Angle Sensor/Key In		
	Q1840820T1F31	Hexagon Flange Bolt	3	piece
	Q1840845T1F31	Hexagon Flange Bolt	2	piece
	DZ96259460519	Clock Spring/M3000/2020/Voice	1	piece
	Q2140410	Cross Recessed Pan Head Screws	4	piece
	Q1960820	Anti-Dismantle Bolt	2	piece
	DZ96259460526	Steering Column Shield	1	piece
	Q221B4816F60	Cross Recessed Pan Head Tapping Screw And Flat Washer Assembly	4	piece
	DZ98149460517	Cover Upper Fixing Ring	1	piece
	DZ98149460572	Leather Dust Cover/L3000/LHD	1	piece
	Q2140616	Cross Recessed Pan Head Screw	4	piece

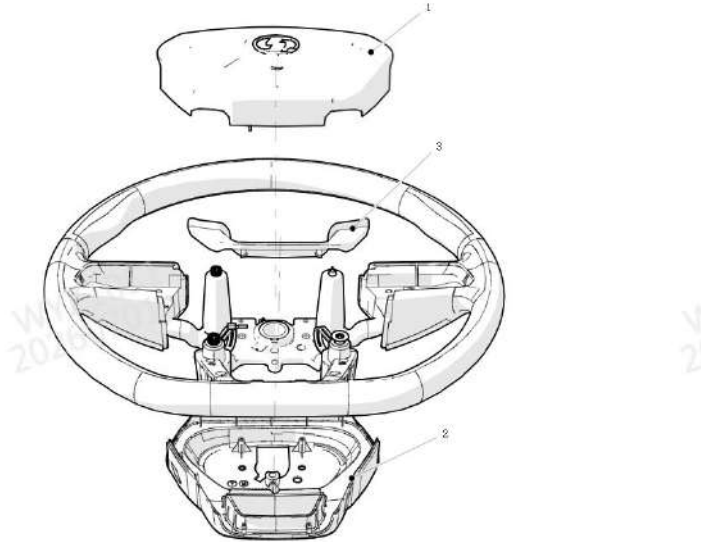
Steering Wheel Assembly/M3000



Reference number	Part Number	Part Name	quantity	Unit of measurement
------------------	-------------	-----------	----------	---------------------

4010649- DZ96259460515	4010649/Steering Wheel Assembly/M3000/2020 Model/Multifunction	1	
DZ96259460518	Steering Wheel Body/M3000	1	piece
DZ97259460510	Upper Cap Assembly/X5000	1	piece
DZ97259460511	Lower Cover Assembly/X5000	1	piece
DZ97259460512	Decorative Strip/X5000	1	piece

4010649/Steering Wheel Assembly/M3000/2020 Model/Multifunction

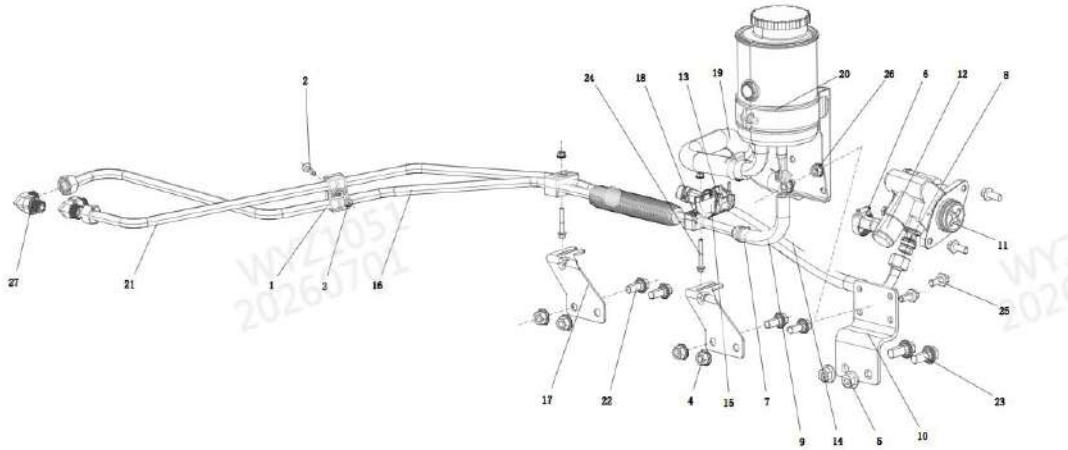


Reference number	Part Number	Part Name	quantity	Unit of measurement
	DZ97259460510	Upper Cap Assembly/X5000	1	piece
	DZ97259460511	Lower Cover Assembly/X5000	1	piece
	DZ97259460512	Decorative Strip/X5000	1	piece

Steering Column Assembly/M3000/LHD/Multi Function Steering Wheel/Angle Sensor/Key

Reference number	Part Number	Part Name	quantity	Unit of measurement
	DZ96189460583	Steering Column/H3000/LHD/Angle Sensor/Key In	1	piece
	DZ96189460588	Steering Telescopic Shaft Assembly	1	piece
	DZ96189460562	Steering Column Mounting Bracket	1	piece

Steering booster



Reference number	Part Number	Part Name	quantity	Unit of measurement
	DZ97319470250	Pipe Clamp	2	piece
	Q1840640T1F31	Hexagon Flange Bolt	2	piece
	Q33006T2F60	All Metal Hexagonal Flange Locking	3	piece
	06.11251.2003	Hexagon Nut With Flange/M7.112.40 M14*1.5-10-MAN183B1	4	piece
	06.11251.2005	Hexagon Nut With Flange/M7.112.40 M14*1.5-10-MAN183B1	2	piece
	190003989301	Hose Clamp	1	piece
	190003989336	Hose Clamp	2	piece
	DZ91259470114	End Straight Joint	1	piece
	DZ95189470012	Rubber Hose With Fiber Interlayer (Formed)	1	piece
	DZ95189470023	Oil Tank Bracket	1	piece
	DZ95189470086	Steering Oil Tank Sub Assembly/WP10	1	piece
	DZ96189470193	Oil Return And Heat Dissipation Steel Pipe Assembly	1	piece
	DZ96189470929	Steering Oil Pump (WP9H/Without Safety Valve)	1	piece
	DZ96259470115	Oil Pump Inlet Fitting Assembly	1	piece
	DZ97189361000	Plastic Fastening Belt/-50℃-105℃	2	piece
	DZ97189470301	High Pressure Hose Assembly	1	piece
	DZ97189470932	Oil Pipe Support	1	piece
	DZ97259189711	Steering Oil Pipe Bracket - Frame Longitudinal Beam	2	piece
	DZ97319470243	Single Pipe Clamp Assembly/Nylon/Φ	1	piece
	DZ97319470405	Forming Hose	1	piece
	DZ9A189471002	Oil Steel Pipe Assembly	1	piece
	Q1811230TF3	Toothed Bolt With Hexagon Flange	4	piece
	Q1840645T1F31	Hexagon Flange Bolt	1	piece
	Q33010	All Metal Hexagonal Flange Locking Nut-Galvanized	2	piece
	SZ947000825	Cutting Sleeve Right-Angle Joint	2	piece

Steering Oil Tank Sub Assembly/WP10

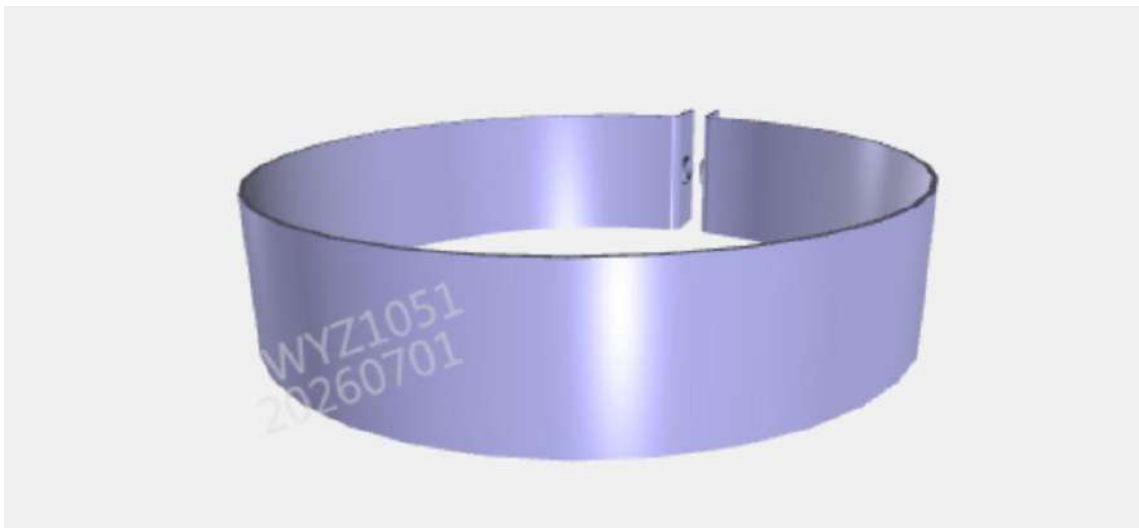


Reference number	Part Number	Part Name	quantity	Unit of measurement
	DZ9A189470201	Steering Oil Tank Assembly (Front)	1	piece
	DZ9100470040	Oil Tank Bracket Assembly	1	piece

Oil Tank Bracket Assembly

Reference number	Part Number	Part Name	quantity	Unit of measurement
	DZ9100470101	Bracket	1	piece
	DZ9100470110	Clamping Strip Assembly	1	piece
	Q2140640	Cross Recessed Pan Head Screw	1	piece

Clamping Strip Assembly



Reference number	Part Number	Part Name	quantity	Unit of measurement
	DZ9100470111	Clamping Strip	1	piece

DZ9100470112	Guide Sleeve	1	piece
DZ9100470113	Nut	1	piece
DZ9100470114	Gasket	2	piece

Oil Return And Heat Dissipation Steel Pipe Assembly

Reference number	Part Number	Part Name	quantity	Unit of measurement
	DZ95319470312	Fins	1	piece
	DZ96189470190	Steel Pipe	1	piece
	DZ97189471030	Double Edged Ferrule/15	1	piece
	DZ97189471031	Sleeve Nut/M22/15	1	piece

Oil Pump Inlet Fitting Assembly

Reference number	Part Number	Part Name	quantity	Unit of measurement
	190003962651	Hollow Bolt	1	piece
	199100470076	Ring Joint	1	piece
	DZ96189470118	Combination Sealing Gasket/M26	2	piece

Single Pipe Clamp Assembly/Nylon/ Φ 15

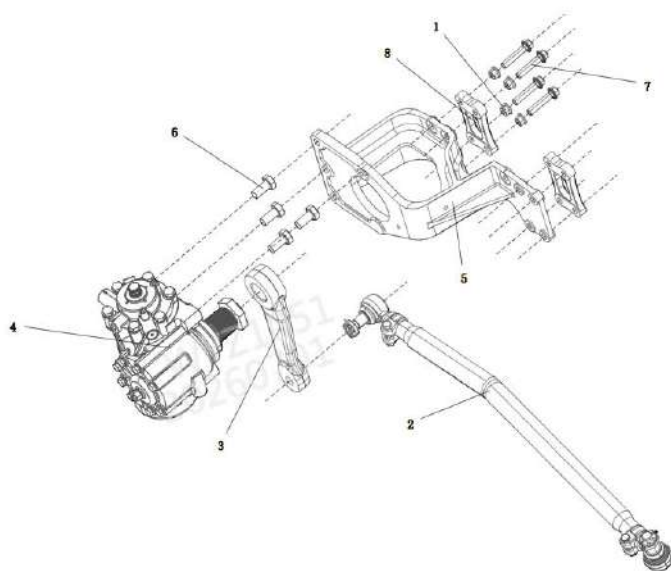


Reference number	Part Number	Part Name	quantity	Unit of measurement
	DZ97319470255	Single Pipe Clamp 1/Nylon/ Φ 15	1	piece
	DZ97319470256	Single Pipe Clamp 2/Nylon/ Φ	1	piece

Oil Steel Pipe Assembly

Reference number	Part Number	Part Name	quantity	Unit of measurement
	DZ97189471030	Double Edged Ferrule/15	2	piece
	DZ97189471031	Sleeve Nut/M22/15	2	piece
	DZ9A189471003	Steel Pipe	1	piece

Steering Transmission



Reference number	Part Number	Part Name	quantity	Unit of measurement
1	06.11251.2005	Hexagon Nut With Flange/M7.112.40 M14*1.5-10-MAN183B1	4	piece
2	DZ9100430011	Steering Straight Link	1	piece
3	DZ93259470002	Steering Rocker Arm	1	piece
4	DZ95259470095	Circulating Ball Power Steering/Φ	1	piece
5	DZ96189430471	Steering Gear Bracket	1	piece
6	Q151B2040TF3	Hexagon Head Bolt- Fine Thread	4	piece
7	Q1811470TF3	Toothed Bolt With Hexagon Flange	4	piece
8	SZ943000714	Steering Bracket Block	2	piece

Steering Straight Link



Reference number	Part Number	Part Name	quantity	Unit of measurement
	5010043-DZ910043	Steering Straight Link	1	

Steering Straight Link

Reference number	Part Number	Part Name	quantity	Unit of measurement
1	DZ9100430006	Fastening Clamp	2	piece
2	DZ9100430004	Right Joint Assembly	1	piece
3	DZ9100430003	Left Joint Assembly	1	piece

Braking System

Brake Line Assembly

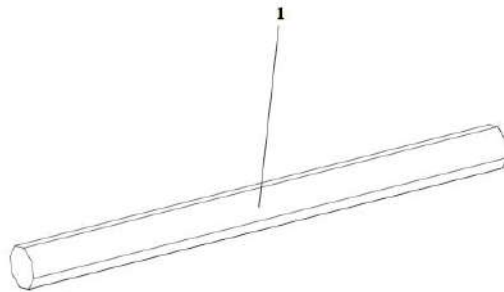
Reference number	Part Number	Part Name	quantity	Unit of measurement
	DZ97259550021	Oil Tube Bracket	1	piece

Q1811445TF3	Toothed Bolt With Hexagon Flange	1	piece
06.11251.2005	Hexagon Nut With Flange/M7.112.40 M14*1.5-10-MAN183B1	1	piece
DZ9L149775041	Wire Harness Fixing Bracket	6	piece
Q1811435TF3	Hexagon Flange Facing Toothed Bolt	12	piece
06.11251.2005	Hexagon Nut With Flange/M7.112.40 M14*1.5-10-MAN183B1	12	piece
DZ9L149360216	Guide Bracket/RH	1	piece
Q1811445TF3	Toothed Bolt With Hexagon Flange	2	piece
06.11251.2005	Hexagon Nut With Flange/M7.112.40 M14*1.5-10-MAN183B1	2	piece
DZ97189360188	Bundle Support Bracket (Front Left)	1	piece
Q1811435TF3	Hexagon Flange Facing Toothed Bolt	2	piece
06.11251.2005	Hexagon Nut With Flange/M7.112.40 M14*1.5-10-MAN183B1	2	piece
DZ97259366079	Through-Wall Straight Joint/NG12 M18×1.5	1	piece
Q351B18T15F3	Hexagon Thin Nut	1	piece
DZ97259366114	Hexagon Connecting Seat/NG8	1	piece
DZ97259366114	Hexagon Connecting Seat/NG8	3	piece
DZ97259366114	Hexagon Connecting Seat/NG8	4	piece
DZ97259360178	Snap Ring (Ng8)	1	piece
DZ97259360176	Elastic Pad (Ng8)	1	piece
DZ97259366115	Hexagon Connecting Seat/NG12	5	piece
DZ97259366115	Hexagon Connecting Seat/NG12	5	piece
DZ97259366115	Hexagon Connecting Seat/NG12	12	piece
DZ97259366115	Hexagon Connecting Seat/NG12	13	piece
DZ97259360179	Snap Ring (Ng12)	5	piece
DZ97259360179	Snap Ring (Ng12)	5	piece
DZ97259360179	Snap Ring (Ng12)	12	piece
DZ97259360179	Snap Ring (Ng12)	13	piece
DZ97259360177	Elastic Pad (Ng12)	5	piece
DZ97259360177	Elastic Pad (Ng12)	5	piece
DZ97259360177	Elastic Pad (Ng12)	12	piece
DZ97259360177	Elastic Pad (Ng12)	13	piece
DZ97189360187	Rear Axle Pipe Bundle Bracket	1	piece
Q1840830T1F31	Hexagon Flange Bolt	2	piece
Q33008T2F60	All Metal Hexagonal Flange Locking	2	piece
DZ97189361007	T-Connector	3	piece
DZ97259366051	Plug M22 × One Point Five	6	piece
DZ97259366218	Right-Angle Screwed Joint	1	piece
DZ97259366228	Quick Connector	1	piece
DZ93189777168	Septal Cable Tie	5	piece
DZ93189777163	Ordinary Wide Cable Tie	80	piece
DZ93259360016	Corrugated Pipe	1	piece
DZ97189090100	Cab Brake Pipe Bundle	1	piece
DZ97189180460	Traction vehicle brake tube bundle	1	piece
DZ96259562735	L-Shaped Bracket	2	piece
Q1811235TF3	Toothed Bolt With Hexagon Flange	2	piece
06.11251.2003	Hexagon Nut With Flange/M7.112.40 M14*1.5-10-MAN183B1	2	piece

Bundle Support Bracket (Front Left)

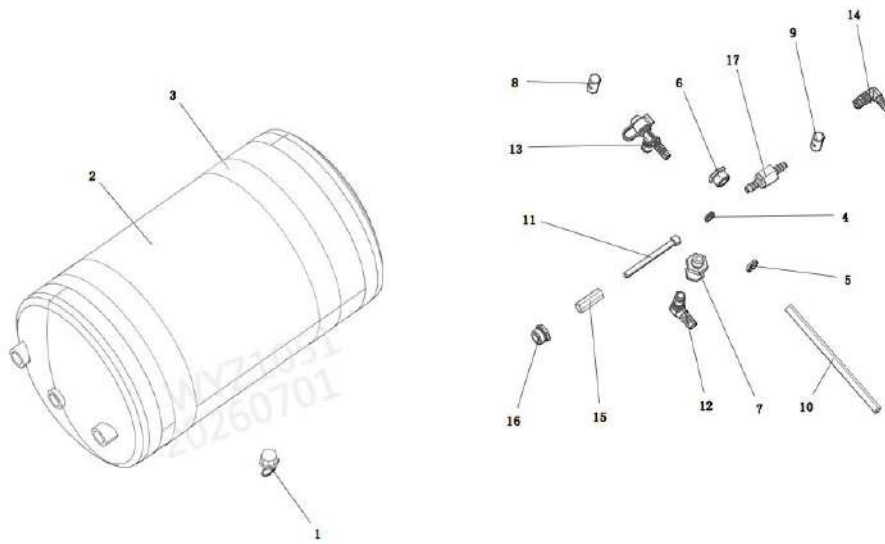
Reference number	Part Number	Part Name	quantity	Unit of measurement
	DZ97189360189	Bracket 1	1	piece
	DZ97189360189	Bracket 1	1	piece
	DZ97189362130	Bracket 2	1	piece
	DZ97189362131	Tubular bracket	1	piece

Power Take-Off (PTO) Air Control



Reference number	Part Number	Part Name	quantity	Unit of measurement
	DZ9X189366090	Straight Connector (1/8NPT-NG6)	1	piece
	DZ97319360016	Right Angle Joint	1	piece
1	190003179782	Polyamide Tube	3	piece

Transmission Pneumatic Control



Reference number	Part Number	Part Name	quantity	Unit of measurement
1	81.51260.6054	Drain Valve	1	piece
2	DZ97189361058	Aluminum Alloy Air Reservoir Assembly/30L	1	piece
3	DZ97189361062	Fastening Strap	2	piece
4	81.98181.0177	Elastic Pad	3	piece
5	81.98181.0179	Snap Ring	3	piece
6	81.98181.6115	Hexagon Connecting Seat	3	piece
7	81.98181.6309	Transition Joint	1	piece
8	117000550013	Tension Pin	2	piece
9	120900190017	Tensioning Pin	3	piece
10	190003179785	Polyamide Tube	1	米
11	DZ91189360880	Hexagon Socket Head Cap Screw	2	piece
12	DZ92189366202	Right-Angle Pipe Joint	2	piece
13	DZ92189366297	T-Joint	1	piece
14	DZ92259366086	Right Angle Joint	1	piece
15	DZ95189360101	Polyamide Pipe Pall-16 × 2 Qc/T80-	1	piece
16	DZ97259361099	Plug M22 × One Point Five	2	piece
17	DZ97259364310	One-way Valve	1	piece

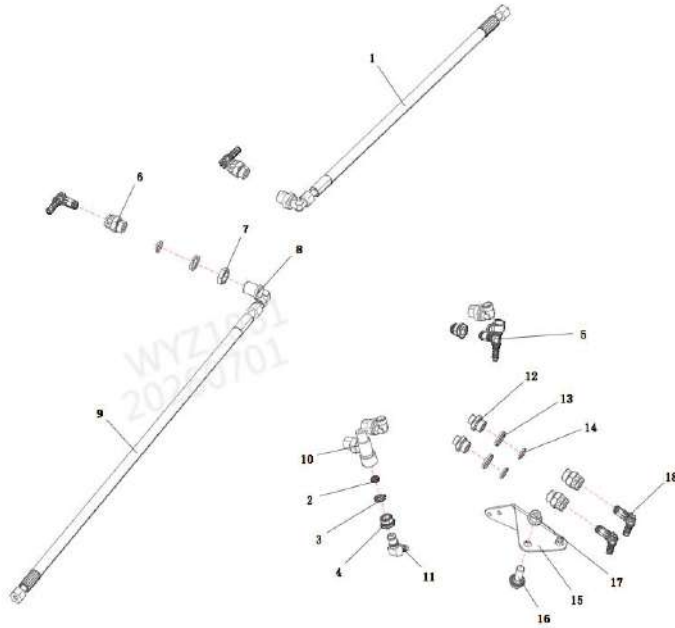
Cab Braking Assist Device

Reference number	Part Number	Part Name	quantity	Unit of measurement
	190003559472	Cutting Sleeve Straight Joint	1	piece
	Q351C12T15	Hexagon Thin Nut(Galvanized)	1	piece
	Q401B12	Flat Washer	2	piece
	Q40312	Spring Washer 190003931142	1	piece
	81.98181.6046	Voss Plug-In Threaded Joint (203)	2	piece
	DZ9X259090003	Over-Wall Joint	1	piece

Cab Braking System

Reference number	Part Number	Part Name	quantity	Unit of measurement
	DZ93189360061	Hand Brake Valve	1	piece
	Q1840625T1F31	Hexagon Flange Bolt	2	piece
	Q402B06	Large Washer (Galvanized)	2	piece
	DZ93189360062	Trailer Hand Brake Valve	1	piece
	Q1840625T1F31	Hexagon Flange Bolt	2	piece
	Q402B06	Large Washer (Galvanized)	2	piece
	81.98181.6114	Hexagon Connecting Seat	5	piece
	81.98181.0178	Snap Ring	5	piece
	81.98181.0176	Elastic Pad	5	piece
	81.51710.0845	Bracket	2	piece
	Q1840825T1F31	Hexagon Flange Bolt	4	piece
	Q33008T2F60	All Metal Hexagonal Flange Locking	4	piece
	DZ93189189101	L Bracket - Pipeline Common (With Cladding)	1	piece
	DZ96259360075	Harness Bracket	1	piece
	DZ97259090016	Electric Control Air Horn	1	piece
	DZ96259366221	Transition Joint/NPT 1/8/Φ6	1	piece
	Q1840830T1F31	Hexagon Flange Bolt	2	piece
	Q33008T2F60	All Metal Hexagonal Flange Locking	2	piece
	DZ96189360065	Red Manual Valve Intake Pipe (BH)	1	piece
	DZ96189360066	Blue Manual Valve Outlet Pipe (BH)	1	piece
	190003179781	Polyamide Pipe Pall-8 × 1 Qc/T80-	3	米
	DZ96189360045	Trailer Valve Air Pipe	1	piece
	DZ96189360046	Trailer Valve Connection Pipe	1	piece
	DZ15221622063	Manual Valve Rubber Sleeve/20 Model	1	piece
	190003179782	Polyamide Tube	3	米
	DZ97259366064	T-Joint Body	1	piece
	DZ96189360055	Eblow Connector	1	piece
	Q351C12T15	Hexagon Thin Nut (Galvanized)	1	piece
	190003179782	Polyamide Tube	0.001	米
	199014280016	Bushing	2	piece
	190003559516	Pipe Joint Nut	2	piece
	190003559561	Ferrule	2	piece
	81.96001.0147	Sheath	1	piece

ABS Pipeline



Reference number	Part Number	Part Name	quantity	Unit of measurement
2	DZ97259360177	Elastic Pad (Ng12)	2	piece
3	DZ97259360179	Snap Ring (Ng12)	2	piece
4	DZ97259366115	Hexagon Connecting Seat/NG12	2	piece
5	DZ97259366279	T-Joint (With Test Joint)NG12 DN9	1	piece
6	DZ97259366214	Transition Joint	4	piece
7	190003559547	Hexagon Slotted Thin Nut/Galvanized	4	piece
8	190003559955	Right Angle Joint Body	4	piece
10	DZ9100360252	Tee Joint Body	1	piece
11	DZ95189360120	Corner Joint Body	1	piece
12	190003559948	Ferrule-Type Reducing Straight Connector Body	2	piece
13	199100360319	Conical Ring	6	piece
14	168000250092	Sealing Ring	6	piece
15	81.52340.5140	Bracket Assembly	1	piece
16	Q1811435TF3	Hexagon Flange Facing Toothed Bolt	1	piece
17	06.11251.2005	Hexagon Nut With Flange/M7.112.40 M14*1.5-10-MAN183B1	1	piece
18	DZ97259366086	Right-Angle Joint/NG12 DN9	4	piece

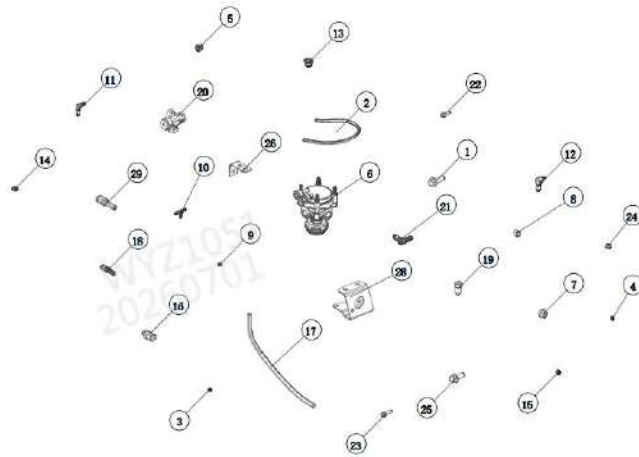
Bracket Assembly

Reference number	Part Number	Part Name	quantity	Unit of measurement
	81.52340.2336	Bracket	1	piece
	81.94299.0645	Steel Pipe	1	piece

Transition Joint

Reference number	Part Number	Part Name	quantity	Unit of measurement
	DZ97259366214	Transition Joint	4	piece

Electronic Brake Control System



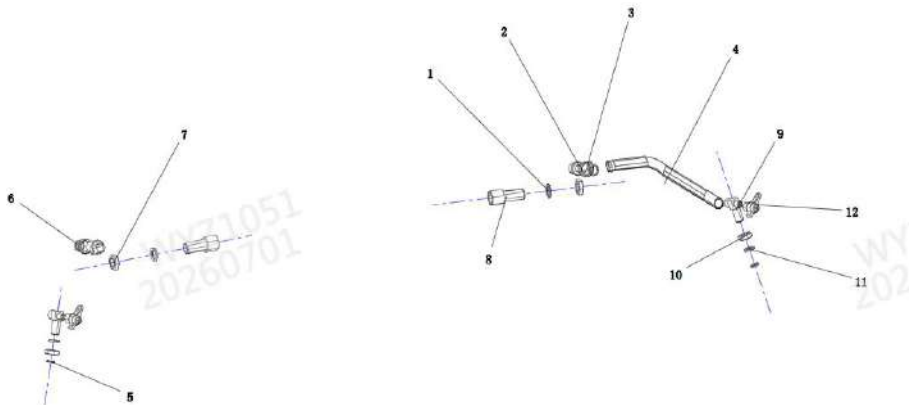
Reference number	Part Number	Part Name	quantity	Unit of measurement
	DZ9X259360131	Relay Valve Bracket/Electric	1	piece
	Q1840825T1F31	Hexagon Flange Bolt	2	piece
	Q33008T2F60	All Metal Hexagonal Flange Locking	2	piece
	DZ95259360106	Parking Relay Valve	1	piece
	Q33008T2F60	All Metal Hexagonal Flange Locking	2	piece
	DZ9100368200	Two-Way Check Valve	2	piece
	Q33008T2F60	All Metal Hexagonal Flange Locking	1	piece
	Q1840830T1F31	Hexagon Flange Bolt	1	piece
	DZ9X259362018	Bracket Assembly (Abs+Asr)	1	piece
	Q1811440TF3	Toothed Bolt With Hexagon Flange	1	piece
	06.11251.2005	Hexagon Nut With Flange/M7.112.40 M14*1.5-10-MAN183B1	2	piece
	DZ96259360090	L Bracket	1	piece
	Q1811435TF3	Hexagon Flange Facing Toothed Bolt	1	piece
	06.11251.2005	Hexagon Nut With Flange/M7.112.40 M14*1.5-10-MAN183B1	1	piece
	DZ97259360191	T Joint/DN6 DN6 DN6	4	piece
	SZ904000001	Direct Head	1	piece
	190003559509	Pipe Nut	1	piece
	190003559558	Ferrule (Ferrule)	1	piece
	DZ97259366309	? 12-M16 Connector	6	piece
	DZ97259366085	Right-Angle Joint	9	piece
	SZ904001133	Transition Joint/M12/NG8	6	piece
	DZ97259366084	Right-Angle Joint	7	piece
	DZ97259366083	Straight Joint/NG12 DN9	2	piece

DZ97259366086	Right-Angle Joint/NG12 DN9	1	piece
DZ97259366115	Hexagon Connecting Seat/NG12	3	piece
DZ97259360179	Snap Ring (Ng12)	3	piece
DZ97259360177	Elastic Pad (Ng12)	3	piece
DZ97259366114	Hexagon Connecting Seat/NG8	2	piece
DZ97259360178	Snap Ring (Ng8)	2	piece
DZ97259360176	Elastic Pad (Ng8)	2	piece
190003179781	Polyamide Pipe Pall-8 × 1 Qc/T80-	10	米
190003179785	Polyamide Tube	5	米

Bracket Assembly (Abs+Asr)

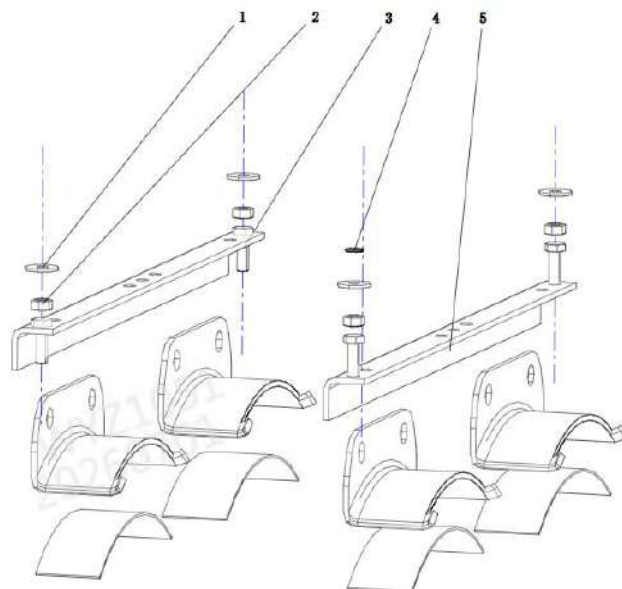
Reference number	Part Number	Part Name	quantity	Unit of measurement
	DZ9X259362019	Bracket (ABS+ASR)	1	piece
	Q37108	Welding Square Nut	3	piece

Front axle braking device



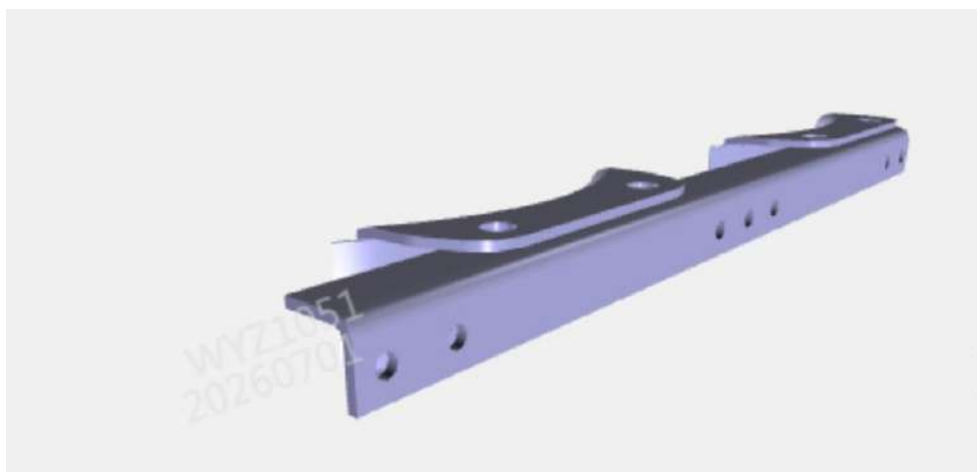
Reference number	Part Number	Part Name	quantity	Unit of measurement
2	190003559955	Right Angle Joint Body	2	piece
3	199100360319	Conical Ring	2	piece
4	DZ9100360173	Hose Assembly	2	piece
6	168000250092	Sealing Ring	2	piece
7	Q351B18T15F3	Hexagon Thin Nut	4	piece
8	DZ97319366079	Straight Joint	2	piece
9	DZ97189361007	T-Connector	2	piece

Air Reservoir Bracket/Integrated Battery Box/B



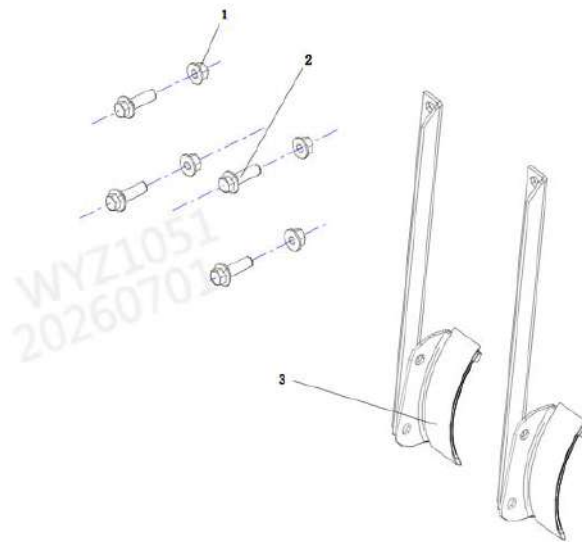
Reference number	Part Number	Part Name	quantity	Unit of measurement
	Q1840820T1F31	Hexagon Flange Bolt	6	piece
	Q33008T2F60	All Metal Hexagonal Flange Locking	6	piece
	DZ97259361461	Pipeline Flip Beam Support Bracktt	1	piece
	Q1811445TF3	Toothed Bolt With Hexagon Flange	2	piece
	06.11251.2005	Hexagon Nut With Flange/M7.112.40	2	piece
5	DZ97189360107	Bracket Assembly	2	piece

Bracket Assembly



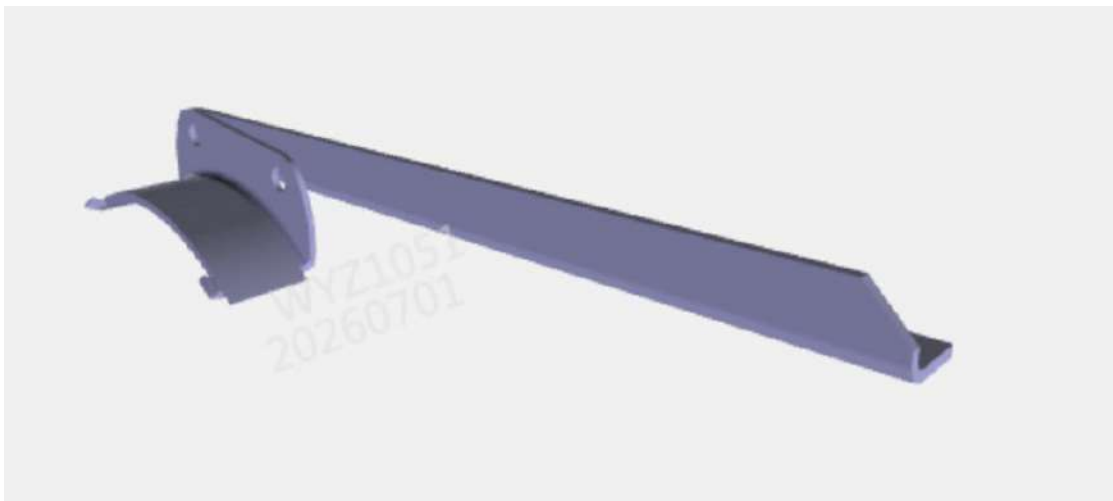
Reference number	Part Number	Part Name	quantity	Unit of measurement
	81.51701.2434	Bracket	1	piece
	DZ97189361030	Air Reservoir Bracket	2	piece
	DZ97189361070	Shim (40)	2	piece

Air Reservoir Bracket/Left Beam Lower Lifting/Yr



Reference number	Part Number	Part Name	quantity	Unit of measurement
1	06.11251.2005	Hexagon Nut With Flange/M7.112.40 M14*1.5-10-MAN183B1	4	piece
2	Q1811445TF3	Toothed Bolt With Hexagon Flange	4	piece
3	DZ97189361188	Air Reservoir Bracket Assembly	2	piece

Air Reservoir Bracket Assembly



Reference number	Part Number	Part Name	quantity	Unit of measurement
	DZ97189361030	Air Reservoir Bracket	1	piece
	DZ97189361070	Shim (40)	1	piece
	DZ97189361187	Air Reservoir Bracket	1	piece

Main Brake Lines and Systems

Reference number	Part Number	Part Name	quantity	Unit of measurement
	DZ96189363013	Air Handling Unit (Integrated/1.0 MPa/Without Silencer)	1	piece
	Q1811230TF3	Toothed Bolt With Hexagon Flange	3	piece
	DZ96189363008	Silencer Hose / Integrated APU	1	piece
	Q67638	Type B Worm Drive Hose Hoop	2	piece
	DZ96189363006	Muffler / Integrated APU / Extension Pipe	1	piece
	DZ97259362209	Extension Tube Bracket (Built-in)	1	piece
	DZ97259362451	Combine Bracket Of Five-Way Valve	1	piece
	Q1811435TF3	Hexagon Flange Facing Toothed Bolt	1	piece
	06. 11251. 2005	Hexagon Nut With Flange/M7. 112. 40 M14*1. 5-10-MAN183B1	1	piece
	DZ9L149360145	Multi-Loop Split Connector	1	piece
	Q1840850T1F31	Hexagon Flange Bolt	2	piece
	Q33008T2F60	All Metal Hexagonal Flange Locking	2	piece
	DZ97189360403	Trailer Valve Bracket	1	piece
	Q1811435TF3	Hexagon Flange Facing Toothed Bolt	2	piece
	06. 11251. 2005	Hexagon Nut With Flange/M7. 112. 40 M14*1. 5-10-MAN183B1	2	piece
	DZ9100360330	Trailer Control Valve With Throttle	1	piece
	Q33008T2F60	All Metal Hexagonal Flange Locking	2	piece
	DZ97189361059	Aluminum Alloy Air Reservoir Assembly/40L	1	piece
	81. 51260. 6054	Drain Valve	1	piece
	DZ97189361062	Fastening Strap	2	piece
	117000550013	Tension Pin	2	piece
	120900190017	Tensioning Pin	2	piece
	DZ91189360880	Hexagon Socket Head Cap Screw	2	piece
	DZ9X189361060	Aluminum Alloy Air Reservoir Assembly/25+15L	1	piece
	81. 51260. 6054	Drain Valve	2	piece
	DZ97189361062	Fastening Strap	2	piece
	117000550013	Tension Pin	2	piece
	120900190017	Tensioning Pin	2	piece
	DZ91189360880	Hexagon Socket Head Cap Screw	2	piece
	81. 52340. 0645	Bracket	2	piece
	Q1840825T1F31	Hexagon Flange Bolt	4	piece
	Q33008T2F60	All Metal Hexagonal Flange Locking	4	piece
	DZ95259360105	Driving Relay Valve	2	piece
	Q33008T2F60	All Metal Hexagonal Flange Locking	4	piece
	81. 98181. 6120	Screw Plug	2	piece
	81. 98181. 6287	Straight Joint	2	piece
	DZ9X259360523	Pipe Clamp	2	piece
	Q2140410	Cross Recessed Pan Head Screws	4	piece
	Q340B04	Type 1 Hex Nut	4	piece
	AZ9100369008	Trailer Connector	1	piece
	199000360423	Pipe Joint	1	piece

	199000360292	Sealing Ring	1	piece
	140600070015	Sealing Ring	1	piece
	AZ9100369009	Trailer Connector	1	piece
	199000360423	Pipe Joint	1	piece
	199000360292	Sealing Ring	1	piece
	140600070015	Sealing Ring	1	piece
	DZ9100360158	Spiral Tube Assembly (Red)	1	piece
	DZ9100360159	Spiral Tube Assembly (Yellow)	1	piece

Air Compressor Piping

Reference number	Part Number	Part Name	quantity	Unit of measurement
	DZ97259361906	Steel Pipe 20 Assembly (Air Compressor/Hose/M10/AMT)	1	piece
	DZ91259360802	Bracket	1	piece
	Q1841020T1F31	Hexagon Flange Bolt	1	piece
	Q1840616T1F31	Hexagon Flange Bolt	1	piece
	DZ97319362007	Single Pipe Clamp (Φ 20)	2	piece
	Q1840645T1F31	Hexagon Flange Bolt	2	piece
	Q33006	All Metal Hexagonal Flange Locking Nut-Galvanized	2	piece
	DZ97259360326	Bracket	1	piece
	DZ9L149470495	Single Pipe Clamp/20	1	piece
	Q1840620T1F31	Hexagon Flange Bolt	1	piece
	Q33006	All Metal Hexagonal Flange Locking Nut-Galvanized	1	piece
	DZ93319360023	Stainless Steel Metal Hose	1	piece
	DZ97259361907	Steel Pipe 20 Assembly (Hose/Right Angle/AMT/2350)	1	piece
	188000360083	Support Plate	1	piece
	Q1811435TF3	Hexagon Flange Facing Toothed Bolt	1	piece
	06.11251.2005	Hexagon Nut With Flange/M7.112.40 M14*1.5-10-MAN183B1	1	piece
	DZ96259562735	L-Shaped Bracket	2	piece
	Q1811435TF3	Hexagon Flange Facing Toothed Bolt	2	piece
	06.11251.2005	Hexagon Nut With Flange/M7.112.40 M14*1.5-10-MAN183B1	2	piece
	DZ9L149470495	Single Pipe Clamp/20	3	piece
	Q1840620T1F31	Hexagon Flange Bolt	3	piece
	Q33006	All Metal Hexagonal Flange Locking Nut-Galvanized	3	piece
	DZ97319361229	Right Angle Connector(M27/M27)	1	piece
	DZ97259361394	Steel Pipe 20 Assembly (Right Angle/APU)	1	piece
	DZ9X259362034	High Pressure Steel Pipe φ10×1.25	1	piece
	DZ97319362007	Single Pipe Clamp (Φ 20)	2	piece
	Q1840645T1F31	Hexagon Flange Bolt	2	piece
	Q33006	All Metal Hexagonal Flange Locking Nut-Galvanized	2	piece

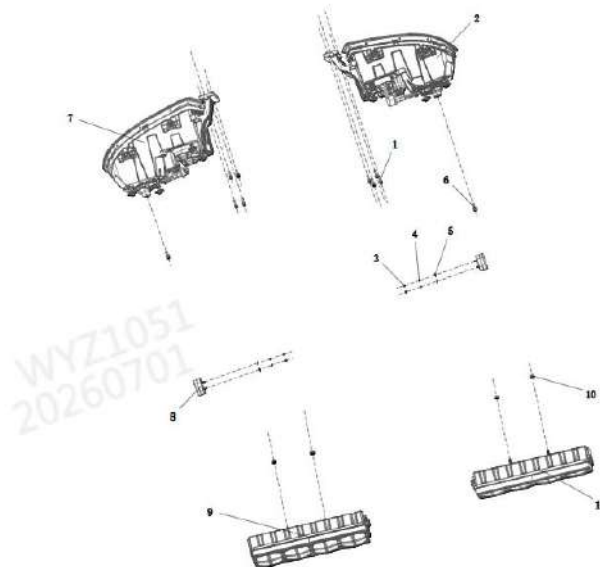
DZ9100360428	Right-Angle Joint	1	piece
190003559547	Hexagon Slotted Thin Nut/Galvanized	1	piece
199100360319	Conical Ring	1	piece
168000250092	Sealing Ring	1	piece
DZ97189360193	Apu Bracket Assembly	1	piece
Q1811440TF3	Toothed Bolt With Hexagon Flange	3	piece
06.11251.2005	Hexagon Nut With Flange/M7.112.40 M14*1.5-10-MAN183B1	3	piece
190003179781	Polyamide Pipe Pall-8 × 1 Qc/T80-	3.5	米
DZ97259366084	Right-Angle Joint	2	piece
DZ9X189366093	Straight Connector (M12×1.5-NG8)	1	piece
DZ97259366114	Hexagon Connecting Seat/NG8	1	piece
DZ97259360178	Snap Ring (Ng8)	1	piece
DZ97259360176	Elastic Pad (Ng8)	1	piece

Apu Bracket Assembly

Reference number	Part Number	Part Name	quantity	Unit of measurement
	DZ97189360192	Apu Bracket	1	piece
	DZ98189360019	Strengthened Plate/APU bracket	1	piece

Chassis Electrical

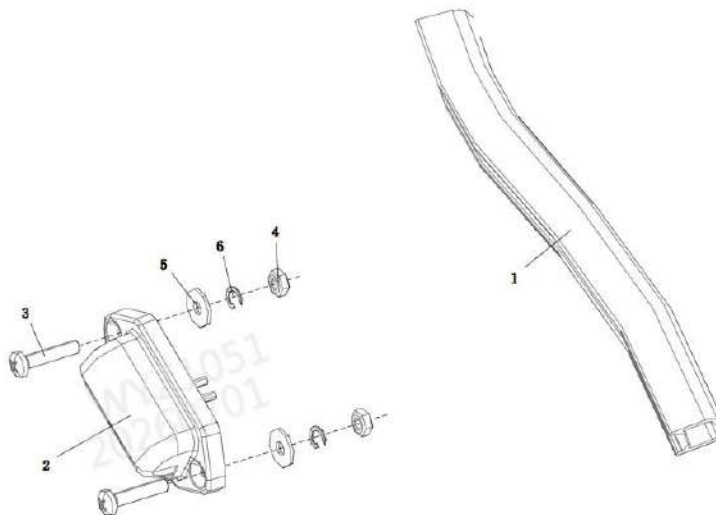
Chassis Lamps



Reference number	Part Number	Part Name	quantity	Unit of measurement
	Q150B1430	Hexagonal Head Bolt	2	piece
	Q341B14T2F3	Type 1 Hex Nut	2	piece

1	Q146B0625T1F60	Hexagon Head Bolt, Spring Washer And Plain Washer Assembly	4	piece
2	DZ96189722020	Right Headlamp Assembly/DRL	1	piece
3	Q340B05	Type 1 Hex Nut	4	piece
4	Q40305	Spring Washer	4	piece
5	Q402B05	Large Washer (Galvanized)	4	piece
6	SXQ146B0820T1F31	Hexagon Head Bolt, Spring Washer And Plain Washer Assembly	1	piece
6	SXQ146B0820T1F31	Hexagon Head Bolt, Spring Washer And Plain Washer Assembly	1	piece
7	DZ96189722010	Left Headlamp Assembly (DRL)	1	piece
8	81.25260.6101	Side Marker Light (With 1400Mm)	2	piece
9	DZ95189811211	Left Combination Tail Lamp (Half)	1	piece
10	Q32008	Hexagon Nut	2	piece
11	DZ95189811212	Right Combination Taillight/Half	1	piece

Chassis Rear Lamp Assembly



Reference number	Part Number	Part Name	quantity	Unit of measurement
1	DZ91189360091	Lintel Protective Strip	1	piece
2	DZ91189810016	Independent License Plate Light	1	piece
3	Q2140420	Cross Recessed Pan Head Screw	2	piece
4	Q340B04	Type 1 Hex Nut	2	piece
5	Q402B04	Large Washer (Galvanized)	2	piece

6

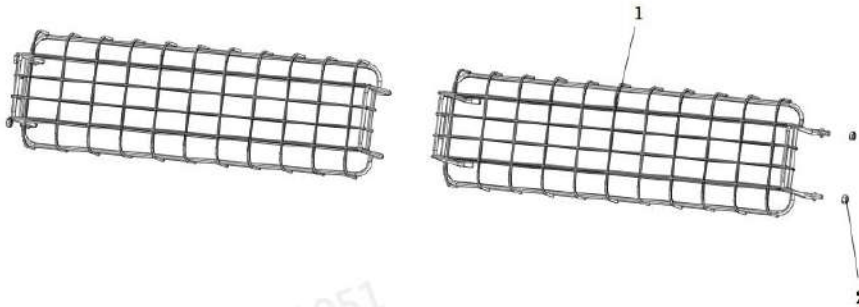
Q40304

Spring Washer

2

piece

Taillight Bracket

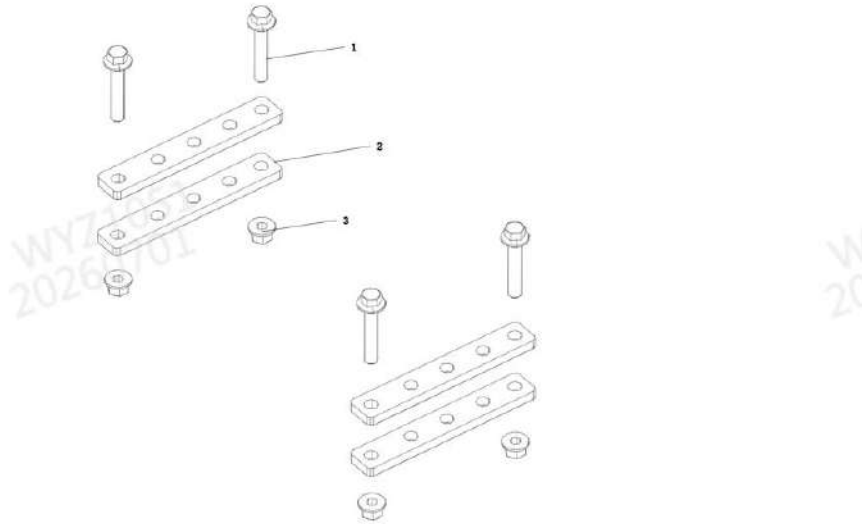


Reference number	Part Number	Part Name	quantity	Unit of measurement
1	DZ95189941045	Tail Light Protective Grille	2	piece
2	Q340B06F60	Type 1 Hex Nut	4	piece

Taillight Bracket

Reference number	Part Number	Part Name	quantity	Unit of measurement
	DZ97189941101	Rear License Plate (Saudi Arabia)	1	piece
	Q1841030T1F31	Hexagon Flange Bolt	2	piece
	Q33010T2F62	All Metal Hexagonal Flange Locking	2	piece

Battery Fixation

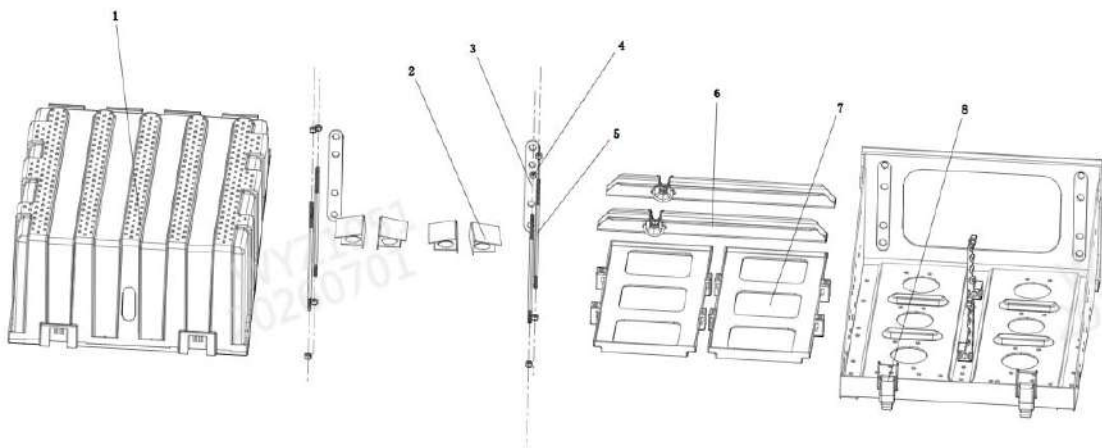


Reference number	Part Number	Part Name	quantity	Unit of measurement
1	Q1811470TF3	Toothed Bolt With Hexagon Flange	4	piece
2	DZ9100760024	Battery Case Bracket Cushion Plate	4	piece
3	06.11251.2005	Hexagon Nut With Flange/M7.112.40 M14*1.5-10-MAN183B1	4	piece

Battery

Reference number	Part Number	Part Name	quantity	Unit of measurement
	DZ9X259760010	180A Cycle-Enhanced Battery	2	piece

Battery Box



Reference number	Part Number	Part Name	quantity	Unit of measurement
	Q340B08T2F3	Type 1 Hex Nut	12	piece

	Q40308F60	Spring Washer*	8	piece
	DZ97189762024	Battery Pole Guard Negative Pole	1	piece
	DZ97189762023	Positive Pole Of Battery Pole Guard Plate	1	piece
1	DZ95189761120	Battery Box Cover	1	piece
2	81.25470.0035	Pole Guard	2	piece
3	DZ9100760025	Battery Box Bracket Plate	2	piece
5	81.95120.0164	Tie Rod	4	piece
6	DZ95189761040	U-Partition Plate	2	piece
7	DZ95189761030	Battery Frame Assembly	2	piece
8	DZ95189761010	Battery Box Assembly	1	piece

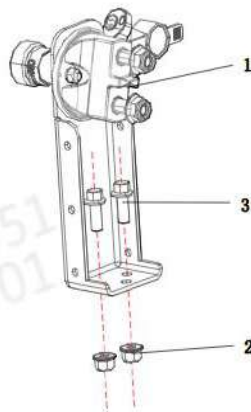
Battery Box Assembly

Reference number	Part Number	Part Name	quantity	Unit of measurement
	DZ95189761011	Battery Box Welding Assembly	1	piece
	Q150B0612	Hexagonal Head Bolt	4	piece
	Q33206	2 Type All Metal Hexagonal Lock	4	piece
	DZ95189761013	Lock Buckle Assembly	2	piece
	DZ96259189715	Wire Harness Fixing Card - Battery	2	piece

Battery Box Welding Assembly

Reference number	Part Number	Part Name	quantity	Unit of measurement
	81.41860.2456	Battery Box (Rear)	1	piece
	DZ95189761012	Battery Box (Bottom)	1	piece

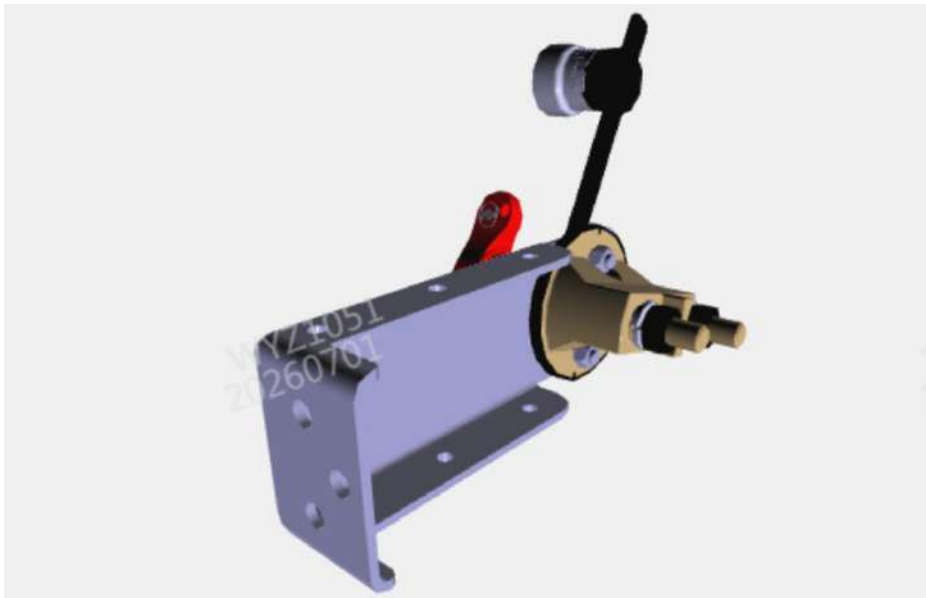
Rear Battery Box



Reference number	Part Number	Part Name	quantity	Unit of measurement
------------------	-------------	-----------	----------	---------------------

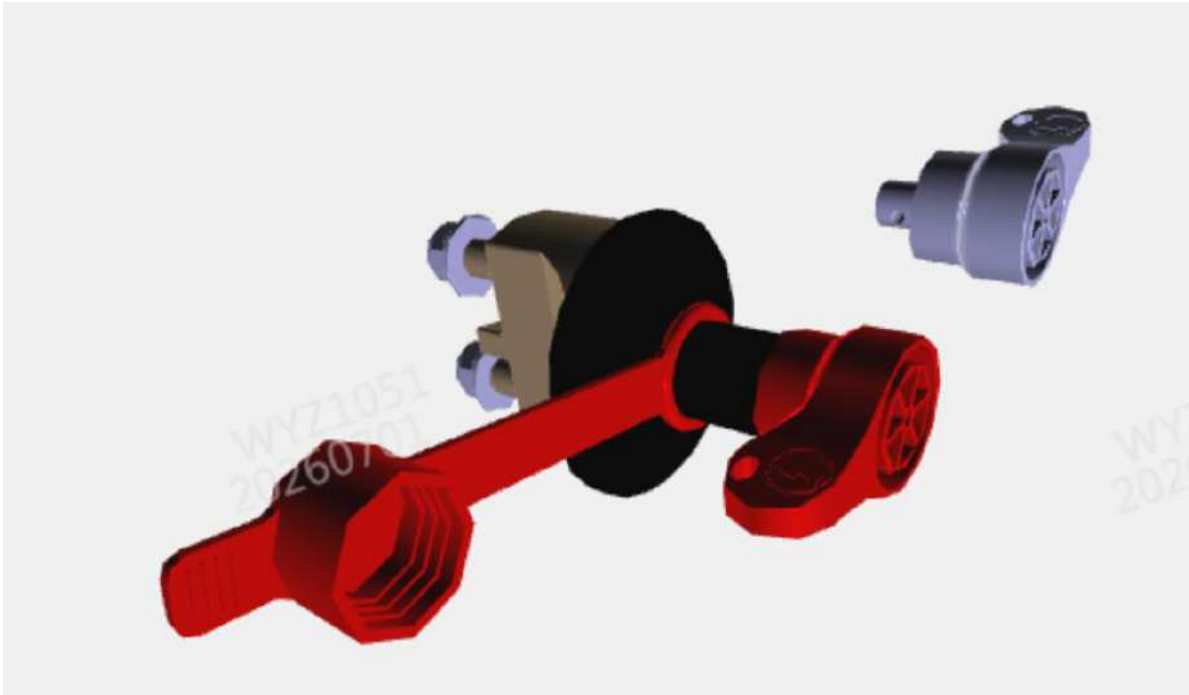
1	DZ97189763039	Master Power Switch	1	piece
2	Q1840820T1F31	Hexagon Flange Bolt	2	piece
3	Q33008T2F60	All Metal Hexagonal Flange Locking	2	piece

Master Power Switch



Reference number	Part Number	Part Name	quantity	Unit of measurement
	DZ97189763032	Installation Bracket For Power	1	piece
	DZ97189763036	Master Power Switch	1	piece
	Q150B0620	Bolt	2	piece
	Q33206	2 Type All Metal Hexagonal Lock	2	piece
	Q401B06	Flat Washer	2	piece
	Q40306	Spring Washer	2	piece

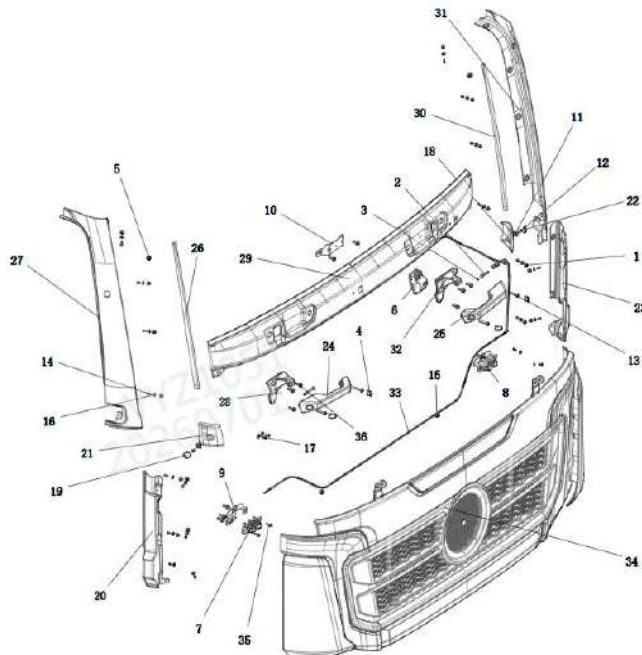
Master Power Switch



Reference number	Part Number	Part Name	quantity	Unit of measurement
	DZ97189763037	Master Power Switch	1	piece
	DZ97189763038	Power Main Switch Handle	1	piece

Cab Gp

Front grille



Reference number	Part Number	Part Name	quantity	Unit of measurement
1	Q398B04	A-Type Through-Hole Embedded Plastic Nut	4	piece

1	Q398B04	A-Type Through-Hole Embedded Plastic Nut	4	piece
1	Q398B04	A-Type Through-Hole Embedded Plastic Nut	4	piece
1	Q398B04	A-Type Through-Hole Embedded Plastic Nut	4	piece
2	DZ15221115175	Hinge Pin Shaft	2	piece
3	DZ15221115176	Cotter Pin (Cotter Pin)	2	piece
4	DZ15221115143	Front Grille Armrest Blocking Cover	4	piece
5	DZ14251110540	Install The Buckle	1	piece
5	DZ14251110540	Install The Buckle	1	piece
6	DZ15221110120	Mask Lock Buckle (Bh-Hp22405320060)	1	piece
7	DZ15221114141	Front Mask Lock Housing Assembly / Zinc-Nickel Plated	2	piece
8	DZ15221114143	Front Grille Left Lock Seat Mounting Bracket Assembly	1	piece
9	DZ15221114144	Front Grille Right Lock Seat Mounting Bracket Assembly	1	piece
10	DZ15221115191	Middle Assembly Bracket Of Wiper Cover Plate	1	piece
11	DZ97189623028	Spring Nut	1	piece
11	DZ97189623028	Spring Nut	1	piece
12	Q215B0616T1F62	Hexagon Lobular Pan Head Screw	2	piece
12	Q215B0616T1F62	Hexagon Lobular Pan Head Screw	1	piece
12	Q215B0616T1F62	Hexagon Lobular Pan Head Screw	1	piece
12	Q215B0616T1F62	Hexagon Lobular Pan Head Screw	1	piece
12	Q215B0616T1F62	Hexagon Lobular Pan Head Screw	1	piece
13	Q215B0845F62	Hexagon Lobular Pan Head Screw	2	piece
13	Q215B0845F62	Hexagon Lobular Pan Head Screw	2	piece
14	Q27A4816F62	Hexagon Lobular Countersunk Head	4	piece
14	Q27A4816F62	Hexagon Lobular Countersunk Head	4	piece
14	Q27A4816F62	Hexagon Lobular Countersunk Head	6	piece
14	Q27A4816F62	Hexagon Lobular Countersunk Head	6	piece
15	Q33008T2F62	All Metal Hexagonal Flange Locking	2	piece
16	Q402B05F62	Large Washer	4	piece
16	Q402B05F62	Large Washer	4	piece
16	Q402B05F62	Large Washer	6	piece
16	Q402B05F62	Large Washer	6	piece
17	Q402B06F62	Large Washer	2	piece
17	Q402B06F62	Large Washer	1	piece
17	Q402B06F62	Large Washer	1	piece
18	DZ15221115162	Door Upper Right Hinge Trim Panel	1	piece
19	DZ15221115164	Blanking Cap	1	piece
20	DZ15221115166	Door Lower Right Hinge Trim Panel	1	piece
21	DZ15221115161	Door Upper Left Hinge Trim Panel	1	piece
22	DZ15221115163	Blanking Cap	1	piece
23	DZ15221115165	Door Lower Left Hinge Trim Panel	1	piece
24	DZ15221115142	Front Cover Right Armrest	1	piece
25	DZ15221115141	Front Grille Left Armrest	1	piece
26	DZ15221115154	Right A-Pillar Sealing Strip	1	piece
27	DZ15221115152	Right Pillar Exterior Trim	1	piece
28	DZ15221115172	Right Fixed Hinge	1	piece
29	DZ15221115120	Wiper Cover Plate Sub Assembly	1	piece
30	DZ15221115153	Left A-Pillar Sealing Strip	1	piece

31	DZ15221115151	Left A-Pillar Exterior Trim	1	piece
32	DZ15221115171	Left Fixed Hinge	1	piece
33	DZ15221114120	Mask Lock Wire Drawing Assembly	1	piece
34	DZ15221115218	Front Grille Body Assembly	1	piece
35	Q1840620T1F62	Hexagon Flange Bolt	4	piece
36	Q1840825T1F62	Hexagon Flange Bolt	2	piece
36	Q1840825T1F62	Hexagon Flange Bolt	3	piece
36	Q1840825T1F62	Hexagon Flange Bolt	3	piece
36	Q1840825T1F62	Hexagon Flange Bolt	3	piece
36	Q1840825T1F62	Hexagon Flange Bolt	3	piece

Wiper Cover Plate Sub Assembly



Reference number	Part Number	Part Name	quantity	Unit of measurement
	DZ15221115129	Wiper Cover Body	1	piece

DZ15221115121	Sealing Strip On Wiper Cover Plate	1	piece
DZ15221115125	Middle Left Reinforcement Bracket/Wiper Cover Plate	1	piece
DZ15221115122	Sealing Strip Under Wiper Cover	1	piece
DZ15221115123	Left Reinforcement Bracket For Wiper Cover Plate	1	piece
DZ15221115124	Wiper Cover Right Reinforcement	1	piece
DZ15221115126	Middle Right Reinforcement Bracket/Wiper Cover Plate	1	piece
DZ15221115127	Wiper Cover Reinforcement Bracket	2	piece
DZ15221115128	Wiper Cover Plate Rubber Pad	1	piece
DZ14251110022	Reed Nuts	12	piece
Q221B4816F60	Cross Recessed Pan Head Tapping Screw And Flat Washer Assembly	12	piece
DZ14251110540	Install The Buckle	1	piece

Front Grille Body Assembly

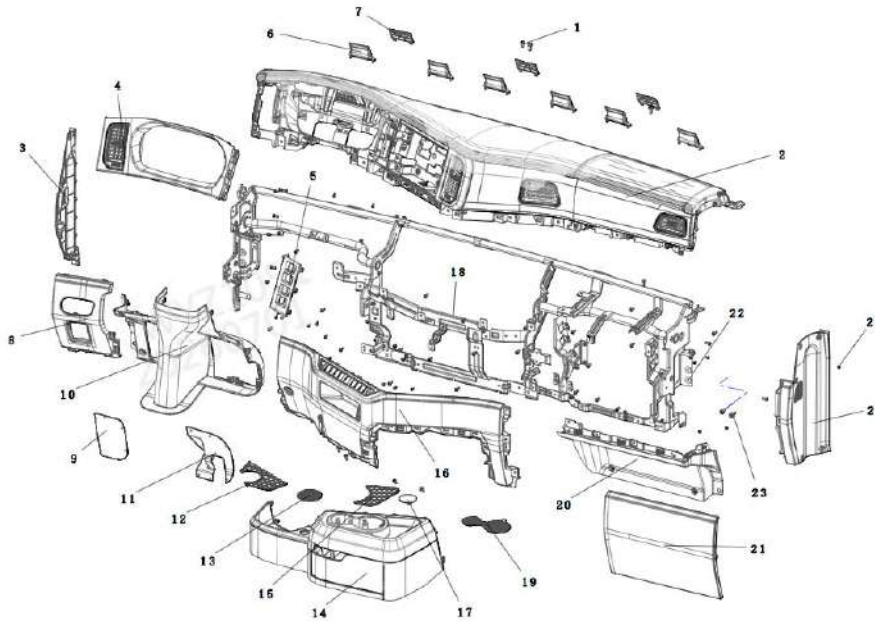
Reference number	Part Number	Part Name	quantity	Unit of measurement
	DZ15221115201	Front Grille Body	1	piece
	DZ15221115167	Left Spoiler	1	piece
	DZ97189623028	Spring Nut	4	piece
	Q215B0616F60	Hexagon Lobular Pan Head Screw	4	piece
	Q402B06F62	Large Washer	4	piece
	DZ15221115168	Right Spoiler Plate	1	piece
	DZ97189623028	Spring Nut	4	piece
	Q215B0616F60	Hexagon Lobular Pan Head Screw	4	piece
	Q402B06F62	Large Washer	4	piece
	DZ15221114142	Front Grille Lock Ring Assembly	2	piece
	Q215B0616F60	Hexagon Lobular Pan Head Screw	4	piece
	Q402B06F62	Large Washer	4	piece
	DZ15221115110	Grille Assembly	1	piece
	DZ14251110022	Reed Nuts	12	piece
	Q27A4816F62	Hexagon Lobular Countersunk Head	14	piece
	Q402B05F62	Large Washer	14	piece
	DZ15221115102	Decorative Panel	1	piece
	DZ14251110022	Reed Nuts	5	piece
	Q27A4816F62	Hexagon Lobular Countersunk Head	5	piece
	Q402B05F62	Large Washer	5	piece
	DZ15221110021	Front Grille Air Spring Left	1	piece
	Q1840825T1F62	Hexagon Flange Bolt	2	piece
	DZ15221110022	Front Grille Air Spring Right	1	piece
	Q1840825T1F62	Hexagon Flange Bolt	2	piece
	DZ15221115180	Gas Spring Assembly	2	piece
	Q33008T2F62	All Metal Hexagonal Flange Locking	2	piece
	DZ15221115173	Left Turn Hinge	1	piece
	Q1840825T1F62	Hexagon Flange Bolt	3	piece
	DZ15221115174	Right Turn Hinge	1	piece
	Q1840825T1F62	Hexagon Flange Bolt	3	piece

Grille Assembly



Reference number	Part Number	Part Name	quantity	Unit of measurement
	DZ15221115111	Grille	1	piece
	DZ15221115112	Grille Lower Trim Strip	1	piece
	DZ15221115113	Grille Left Trim Strip	1	piece
	DZ15221115114	Grille Right Trim Strip	1	piece
	DZ15221115115	Logo Left Decorative Strip	1	piece
	DZ15221115116	Logo Right Decorative Strip	1	piece
	DZ14251110540	Install The Buckle	3	piece
	Q2714816F31	Cross Recessed Countersunk Head	18	piece

Harness Slot



Reference number	Part Number	Part Name	quantity	Unit of measurement
	DZ15221160910	Instrument Panel Body Assembly	1	piece
	Q215B0616T1F31	Hexagon Lobular Pan Head Screw	16	piece
	DZ15221160370	Combination Instrument Cover	1	piece
	SXQ27Y4212F60	Hexagon Lobular Pan Head Tapping Screw (With Flange)	2	piece
	DZ15221160311	Rocker Switch Panel Assembly (8	1	piece
	DZ15221160312	Left Lower Guard Board Assembly	1	piece
	Q215B0616T1F31	Hexagon Lobular Pan Head Screw	1	piece
	SXQ27Y4212F60	Hexagon Lobular Pan Head Tapping Screw (With Flange)	1	piece
	DZ15221160380	Lower Middle Fender Shield Assembly	1	piece
	Q215B0616T1F31	Hexagon Lobular Pan Head Screw	7	piece
	SXQ27Y4212F60	Hexagon Lobular Pan Head Tapping Screw (With Flange)	1	piece
	DZ15221160313	Knee Guard Assembly	1	piece
	SXQ27Y4212F60	Hexagon Lobular Pan Head Tapping Screw (With Flange)	5	piece
	Q215B0616T1F31	Hexagon Lobular Pan Head Screw	3	piece
	DZ15221160314	Right Lower Protect Plate Assembly	1	piece
	SXQ27Y4212F60	Hexagon Lobular Pan Head Tapping Screw (With Flange)	2	piece
	Q215B0616T1F31	Hexagon Lobular Pan Head Screw	3	piece
	DZ15221160315	Left End Cover Plate Assembly	1	piece
	SXQ27Y4212F60	Hexagon Lobular Pan Head Tapping Screw (With Flange)	5	piece
	DZ15221160434	Right End Cover Plate Assembly	1	piece
	SXQ27Y4212F60	Hexagon Lobular Pan Head Tapping Screw (With Flange)	7	piece
	DZ15221160316	Ecu Access Cover Assembly	1	piece
	DZ15221160331	Left Lower Air Duct Upper	1	piece
	SXQ27Y4212F60	Hexagon Lobular Pan Head Tapping Screw (With Flange)	2	piece

DZ15221160332	Left Lower Foot Blowing Duct	1	piece
Q215B0616T1F31	Hexagon Lobular Pan Head Screw	2	piece
DZ15221160333	Right Foot Blowing Air Duct/Upper	1	piece
SXQ27Y4212F60	Hexagon Lobular Pan Head Tapping Screw (With Flange)	2	piece
DZ15221160334	Right Foot Blowing Air Duct/Lower	1	piece
Q215B0616T1F31	Hexagon Lobular Pan Head Screw	2	piece
DZ15221160335	Left Defrosting Duct - Left	1	piece
Q215B0616T1F31	Hexagon Lobular Pan Head Screw	1	piece
DZ15221160336	Left Defrosting Duct - Right	1	piece
Q215B0616T1F31	Hexagon Lobular Pan Head Screw	2	piece
DZ15221160337	Right Defrost Duct - Left	1	piece
Q215B0616T1F31	Hexagon Lobular Pan Head Screw	2	piece
DZ15221160338	Right Defrosting Duct - Right	1	piece
Q215B0616T1F31	Hexagon Lobular Pan Head Screw	1	piece
DZ15221160445	Blocking Cover For Clutch Pedal	1	piece
SXQ27Y4212F60	Hexagon Lobular Pan Head Tapping Screw (With Flange)	4	piece
DZ15221160371	Brake Pedal Cover	1	piece
SXQ27Y4212F60	Hexagon Lobular Pan Head Tapping Screw (With Flange)	6	piece
DZ15221160372	Front Defrost Cover Plate Plug	3	piece
DZ15221160390	Auxiliary Instrument Panel Assembly	1	piece
Q215B0616T1F31	Hexagon Lobular Pan Head Screw	5	piece
DZ15221160437	Drawer Blanking Cap	2	piece
DZ15221160379	Right Face Blowing Air Duct On The Passenger Side	1	piece
SXQ27Y4212F60	Hexagon Lobular Pan Head Tapping Screw (With Flange)	3	piece
DZ15221160374	Left Cover Rubber Pad	1	piece
DZ15221160330	Pipe Beam Assembly	1	piece
Q215B0820T1F31	Hexagon Lobular Pan Head Screw	7	piece
Q402B08F60	Large Washer*	7	piece
Q215B0616T1F31	Hexagon Lobular Pan Head Screw	2	piece
SXQ27Y4212F60	Hexagon Lobular Pan Head Tapping Screw (With Flange)	1	piece
DZ15221160135	Front Windshield Defrosting Duct	6	piece
DZ15221160373	Upper Cover Rubber Pad	1	piece
DZ15221160436	Cup Holder Rubber Pad	1	piece
DZ16231160832	Cup Holder Rubber Pad	1	piece

Instrument Panel Body Assembly

Reference number	Part Number	Part Name	quantity	Unit of measurement
	DZ15221160375	Dashboard Body	1	piece
	DZ15221160317	Front Defrost Cover Assembly	1	piece
	DZ15221160376	Left Face Blowing Air Duct/Driver'S Side	1	piece

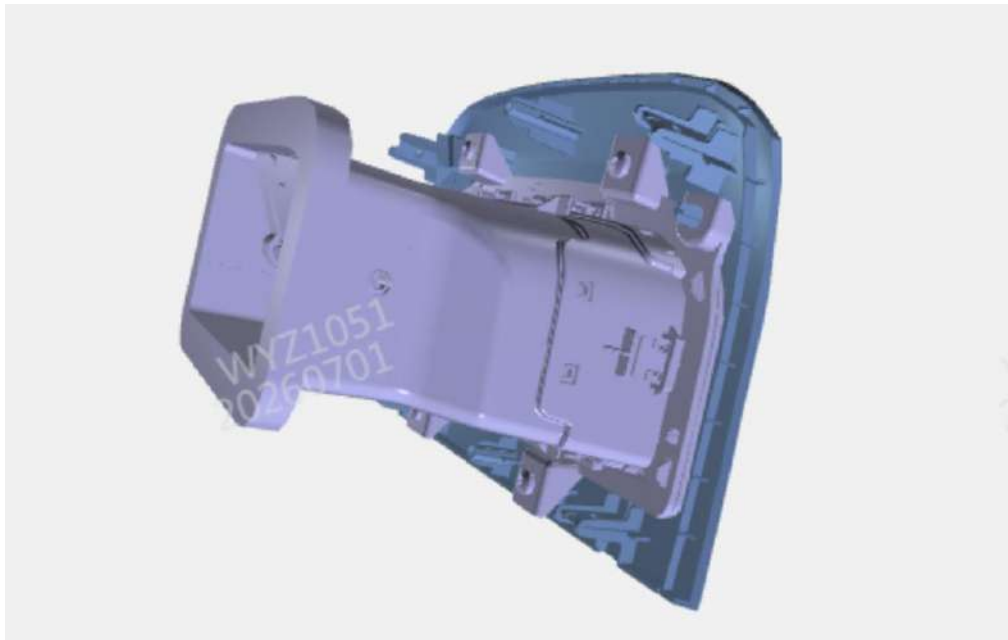
DZ15221160377	Right Face Blowing Air Duct/Driver'S Side	1	piece
DZ15221160378	Left Face Blowing Air Duct On The Passenger Side	1	piece
DZ15221160781	Front Passenger Trim Panel Assembly	1	piece
DZ15221160897	Multimedia Stand Assembly/Single	1	piece
DZ15221160321	Right Air Duct Panel Assembly/Driver'S Side	1	piece
DZ15221160322	Upper Maintenance Cover Assembly	1	piece
SXQ27Y4212F60	Hexagon Lobular Pan Head Tapping Screw (With Flange)	31	piece

Front Defrost Cover Assembly



Reference number	Part Number	Part Name	quantity	Unit of measurement
	DZ15221160387	Front Defrost Cover Plate	1	piece
	DZ15221160388	Defrost Duct Partition	1	piece
	Q27A4213F31	Hexagon Lobular Pan Head Tapping	10	piece

Right Air Duct Panel Assembly/Driver'S Side



Reference number	Part Number	Part Name	quantity	Unit of measurement
	DZ15221160392	Right Air Duct Panel/Driver'S Side	1	piece
	DZ15221160433	Right Air Duct Assembly/Driver'S	1	piece
	Q27A4213F31	Hexagon Lobular Pan Head Tapping	4	piece

Combination Instrument Cover Assembly



Reference number	Part Number	Part Name	quantity	Unit of measurement
	DZ15221160435	Combination Instrument Cover	1	piece
	DZ15221160323	Left Air Duct Assembly/Driver'S	1	piece
	Q27A4213F31	Hexagon Lobular Pan Head Tapping	4	piece

Lower Middle Fender Shield Assembly

Reference number	Part Number	Part Name	quantity	Unit of measurement
	DZ15221160382	Middle Lower Protection Plate	1	piece
	DZ15221160383	Rocker Switch Panel (9 Keys)	1	piece
	DZ15221160384	Central Storage Box	1	piece
	Q27A4213F31	Hexagon Lobular Pan Head Tapping	8	piece

Right End Cover Plate Assembly



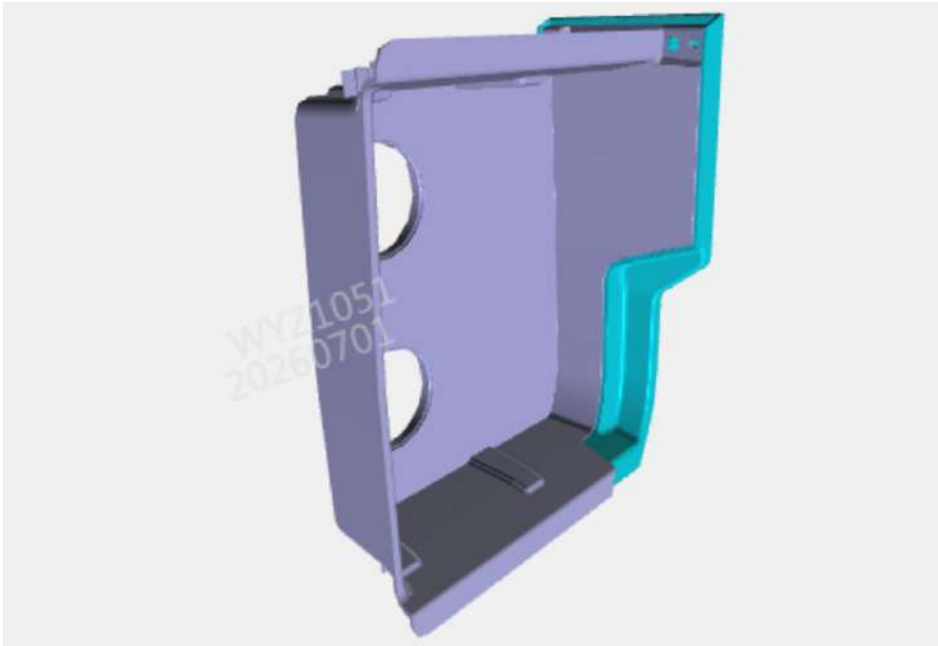
Reference number	Part Number	Part Name	quantity	Unit of measurement
	DZ15221160385	Right Cover Plate	1	piece
	DZ15221160386	Right End Cover Plate Bracket	1	piece

Auxiliary Instrument Panel Assembly



Reference number	Part Number	Part Name	quantity	Unit of measurement
	DZ15221160324	Auxiliary Instrument Lower Frame Assembly	1	piece
	DZ15221160325	Drawer Assembly	1	piece
	DZ15221160326	Auxiliary Instrument Upper Frame Assembly	1	piece
	DZ15221160327	Auxiliary Instrument Panel Right Cover Plate Assembly	1	piece
	DZ15221160328	Auxiliary Instrument Panel Left Cover Plate Assembly	1	piece
	DZ15221160329	Auxiliary Instrument Panel Upper Cover Plate Assembly	1	piece
	DZ15221160340	Slide Rail Assembly	2	piece
	Q27A4213F31	Hexagon Lobular Pan Head Tapping	21	piece

Drawer Assembly



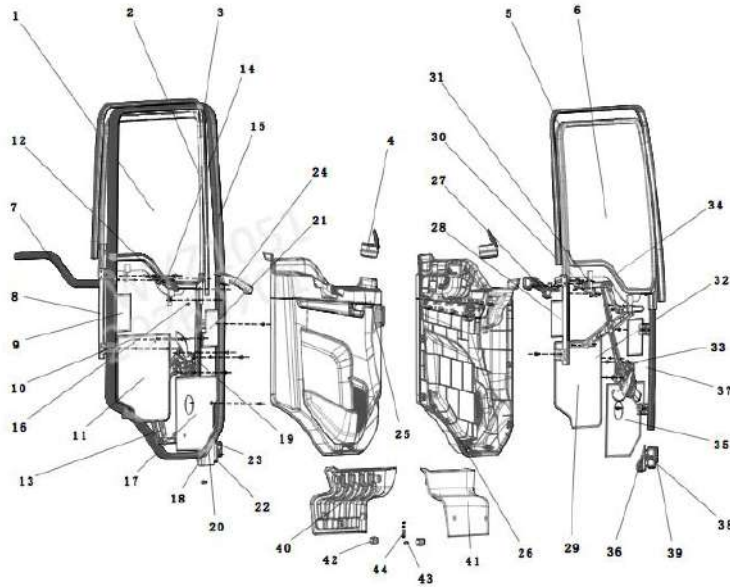
Reference number	Part Number	Part Name	quantity	Unit of measurement
	DZ15221160394	Drawer Inner Bucket	1	piece
	DZ15221160395	Drawer Outer Bucket	1	piece

Auxiliary Instrument Panel Left Cover Plate Assembly



Reference number	Part Number	Part Name	quantity	Unit of measurement
	DZ15221160397	Auxiliary Instrument Panel Left Cover Plate	1	piece
	DZ15221160398	Auxiliary Instrument Panel Left Storage Box	1	piece

Door Accessories



Reference number	Part Number	Part Name	quantity	Unit of measurement
1	DZ15221330059	Left Door Glass	1	piece
2	DZ15221330051	Left Door Glass Groove	1	piece
3	DZ15221330054	Door Frame Seal	2	piece
4	DZ15221339997	Ashtray	2	piece
5	DZ15221330061	Right Door Window Glass Groove	1	piece
6	DZ15221330069	Right Door Window Glass	1	piece
7	DZ15221330052	Left Door Outer Weatherstrip	1	piece
8	DZ15221330075	Left Door Rear Lower Guide Rail/	1	piece
9	DZ15221330083	Waterproof Membrane III (150 * 150)	3	piece
10	Q40306F60	Spring Washer*	6	piece
10	Q40306F60	Spring Washer*	6	piece
10	Q40306F60	Spring Washer*	2	piece
10	Q40306F60	Spring Washer*	2	piece
10	Q40306F60	Spring Washer*	2	piece
10	Q40306F60	Spring Washer*	2	piece
10	Q40306F60	Spring Washer*	2	piece
10	Q40306F60	Spring Washer*	2	piece
10	Q40306F60	Spring Washer*	4	piece
10	Q40306F60	Spring Washer*	4	piece
10	Q40306F60	Spring Washer*	5	piece
10	Q40306F60	Spring Washer*	5	piece
11	DZ15221330071	Left Door Waterproof Film/I	1	piece
12	DZ15221330053	Internal Door Weatherstrip	2	piece

13	DZ15221330257	Left Window Regulator(Electric)	1	piece
14	DZ15221330161	Left Door Handle Base	1	piece
15	DZ15221330050	Door Opening Sealing Strip (Bh-Hp22405410155)	2	piece
16	Q27A4816F31	Hexagon Lobular Pan Head Tapping	1	piece
16	Q27A4816F31	Hexagon Lobular Pan Head Tapping	1	piece
17	DZ15221330081	Left Door Waterproof Film/II	1	piece
18	DZ15221330055	Lower Left Door Trim Panel	1	piece
19	DZ15221330056	Left Door Front Lower Guide Rail (Bh-Hp22406120130)	1	piece
20	DZ15221330070	Left Door Position Limit	1	piece
21	DZ15221330026	Left Door Waterproof Film/III	1	piece
22	Q340B06F60	Type 1 Hex Nut	2	piece
22	Q340B06F60	Type 1 Hex Nut	2	piece
22	Q340B06F60	Type 1 Hex Nut	1	piece
22	Q340B06F60	Type 1 Hex Nut	1	piece
22	Q340B06F60	Type 1 Hex Nut	1	piece
22	Q340B06F60	Type 1 Hex Nut	1	piece
22	Q340B06F60	Type 1 Hex Nut	2	piece
22	Q340B06F60	Type 1 Hex Nut	2	piece
23	Q401B06F60	Flat Washer	2	piece
23	Q401B06F60	Flat Washer	2	piece
23	Q401B06F60	Flat Washer	5	piece
23	Q401B06F60	Flat Washer	5	piece
24	DZ15221330167	Left Door Handle Cover	1	piece
25	DZ15221330150	Left Door Inner Protect Lining Panel Assembly	1	piece
26	DZ15221330160	Right Door Inner Protect Panel	1	piece
27	DZ15221330168	Right Door Handle Cover Plate	1	piece
28	DZ15221330076	Right Door Rear Lower Guide Rail/Integrated Trial Assembly	1	piece
29	DZ15221330072	Right Door Waterproof Membrane./I	1	piece
30	DZ15221330162	Right Door Handle Base	1	piece
31	Q402B06F60	Large Washer	2	piece
31	Q402B06F60	Large Washer	2	piece
31	Q402B06F60	Large Washer	6	piece
31	Q402B06F60	Large Washer	6	piece
31	Q402B06F60	Large Washer	2	piece
31	Q402B06F60	Large Washer	2	piece
31	Q402B06F60	Large Washer	2	piece
31	Q402B06F60	Large Washer	2	piece
31	Q402B06F60	Large Washer	2	piece
31	Q402B06F60	Large Washer	2	piece
31	Q402B06F60	Large Washer	2	piece
31	Q402B06F60	Large Washer	2	piece
31	Q402B06F60	Large Washer	2	piece
31	Q402B06F60	Large Washer	2	piece
32	Q1840612T1F31	Hexagon Flange Bolt	4	piece
32	Q1840612T1F31	Hexagon Flange Bolt	4	piece
32	Q1840612T1F31	Hexagon Flange Bolt	1	piece
32	Q1840612T1F31	Hexagon Flange Bolt	1	piece
32	Q1840612T1F31	Hexagon Flange Bolt	1	piece
32	Q1840612T1F31	Hexagon Flange Bolt	1	piece
32	Q1840612T1F31	Hexagon Flange Bolt	2	piece
32	Q1840612T1F31	Hexagon Flange Bolt	2	piece

33	DZ15221330258	Right Window Regulator(Electric)	1	piece
34	DZ15221330062	Right Door Outer Weatherstrip	1	piece
35	DZ15221330082	Right Door Waterproof Membrane./II	1	piece
36	DZ15221330065	Lower Right Door Trim Panel	1	piece
37	DZ15221330066	Right Door Front Lower Guide Rail (Bh-Hp22406120140)	1	piece
38	DZ15221330080	Right Door Position Limit	1	piece
39	Q215B0625T1F31	Hexagon Lobular Pan Head Screw	2	piece
39	Q215B0625T1F31	Hexagon Lobular Pan Head Screw	2	piece
39	Q215B0625T1F31	Hexagon Lobular Pan Head Screw	2	piece
39	Q215B0625T1F31	Hexagon Lobular Pan Head Screw	2	piece
40	DZ15221331110	Left Door Lower Trim Panel Assembly/20 Model	1	piece
41	DZ15221331120	Right Door Lower Trim Panel Assembly/20 Model	1	piece
42	DZ15221331105	Door Lower Trim Panel Buffer Block	2	piece
43	Q236B0616F60	Cross Recessed Pan Head Screw, Spring Washer And Plain Washer	2	piece
44	Q2140625F60	Cross Recessed Pan Head Screw	5	piece
44	Q2140625F60	Cross Recessed Pan Head Screw	5	piece

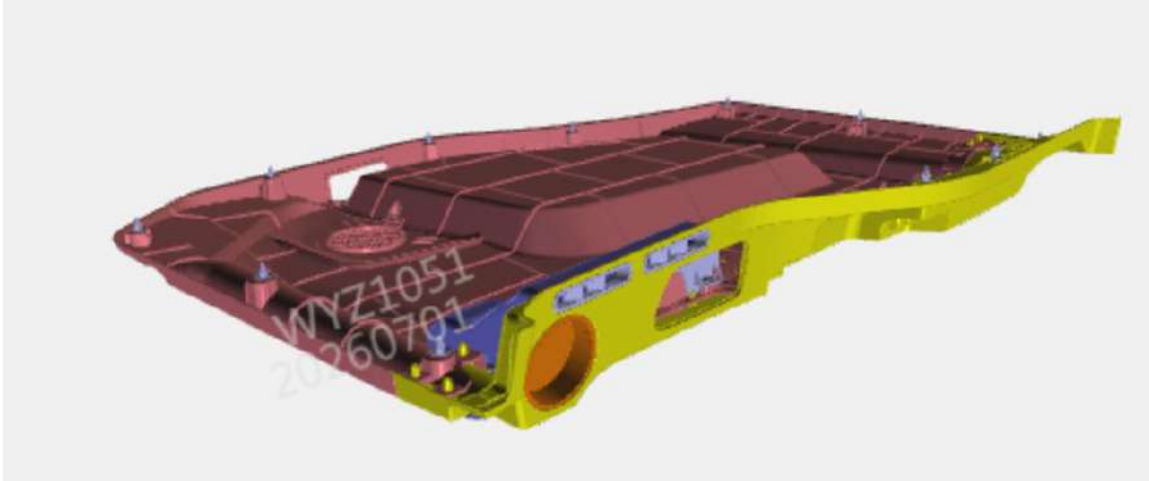
Left Door Inner Protect Lining Panel Assembly



Reference number	Part Number	Part Name	quantity	Unit of measurement
	DZ15221330151	Left Door Inner Guard Body	1	piece
	DZ15221330153	Left Door Upper Trim Panel	1	piece
	DZ15221330155	Left Door Trim Panel	1	piece
	DZ15221330157	Left Door Map Bag	1	piece
	DZ15221330169	Door Ashtray Holder	1	piece
	DZ15221330163	Left Door Air Duct	1	piece
	DZ15221330159	Door Air Inlet	1	piece
	DZ15221339975	Left Door Defrost Grille	2	piece
	DZ15221330165	Left Inner Opening Handle	1	piece
	DZ15221330033	Plastic Buckle	11	piece

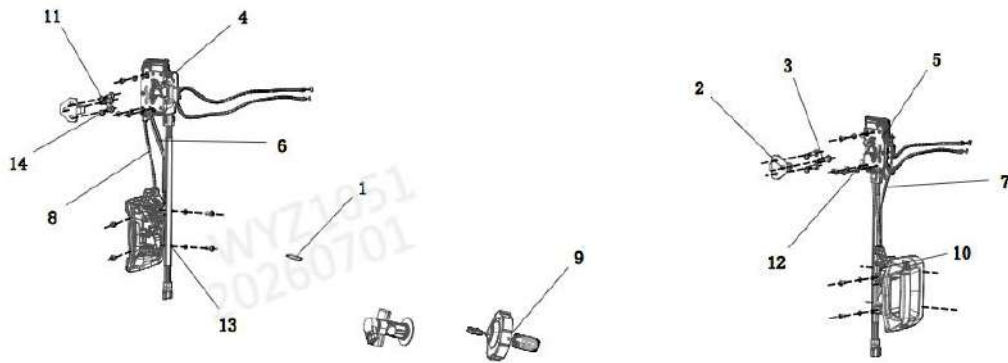
Q2714216F60	Cross Recessed Pan Head Tapping Screw And Flat Washer Assembly	7	piece
Q401B05F31	Flat Washer	7	piece

Right Door Inner Protect Panel Assembly



Reference number	Part Number	Part Name	quantity	Unit of measurement
	DZ15221330152	Right Door Inner Protect Panel	1	piece
	DZ15221330154	Right Door Upper Trim Panel	1	piece
	DZ15221330156	Right Door Trim Panel	1	piece
	DZ15221330158	Right Door Map Pocket	1	piece
	DZ15221330259	Right Door Air Inlet	1	piece
	DZ15221339976	Right Door Defrost Grille	2	piece
	DZ15221330164	Right Door Air Duct	1	piece
	DZ15221330169	Door Ashtray Holder	1	piece
	DZ15221330166	Right Inner Opening Handle	1	piece
	DZ15221330033	Plastic Buckle	11	piece
	Q2714216F60	Cross Recessed Pan Head Tapping Screw And Flat Washer Assembly	7	piece
	Q401B05F31	Flat Washer	7	piece

Lock System



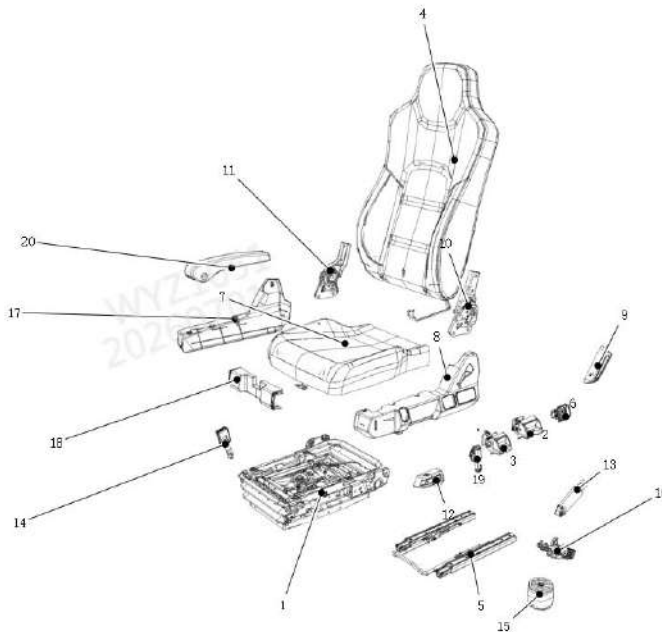
Reference number	Part Number	Part Name	quantity	Unit of measurement
1	DZ13241340031	Key Label	1	piece
2	DZ15221340016	Lock Bolt	2	piece
3	DZ15221340017	Latch Pin	2	piece
4	DZ15221340043	Left Door Lock Body Assembly	1	piece
5	DZ15221340044	Right Door Lock Body Assembly/Central Control	1	piece
6	DZ15221340055	Left Door Lock Cylinder Pull Rod	1	piece
7	DZ15221340056	Right Door Lock Cylinder Rod	1	piece
8	DZ15221340074	Door Opening Cable	2	piece
9	DZ15221341009	Door Lock/Central Locking/4-in-1 Lock/2 Central Control Keys/Iron	1	piece
10	Q215B0616F60	Hexagon Lobular Pan Head Screw	3	piece
10	Q215B0616F60	Hexagon Lobular Pan Head Screw	3	piece
10	Q215B0616F60	Hexagon Lobular Pan Head Screw	8	piece
11	Q2540830	Cross Recessed Countersunk Head	4	piece
12	Q401B06F60	Flat Washer	3	piece
12	Q401B06F60	Flat Washer	3	piece
12	Q401B06F60	Flat Washer	8	piece
13	Q40306F60	Spring Washer*	3	piece
13	Q40306F60	Spring Washer*	3	piece
13	Q40306F60	Spring Washer*	8	piece
14	Q41408	Conical Serrated Locking Washer	4	piece

Seat



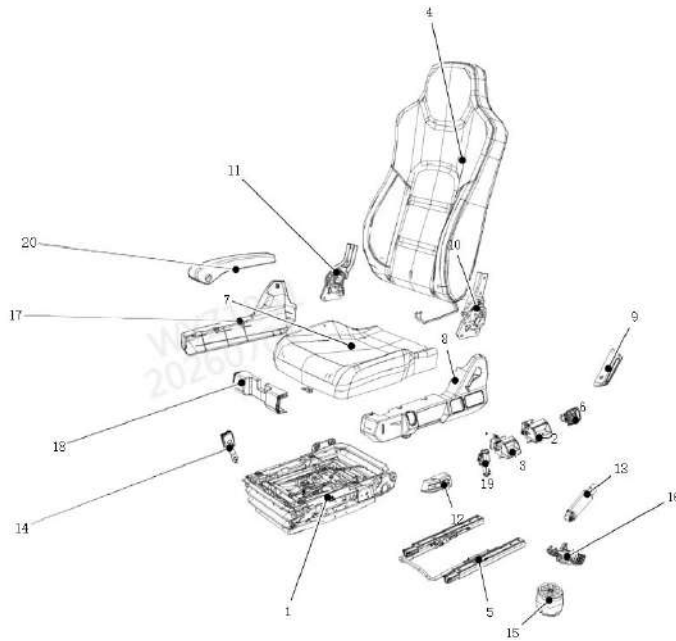
Reference number	Part Number	Part Name	quantity	Unit of measurement
	DZ15221512013	Left Air Suspension Seat Assembly	1	piece
	Q1840830T1F31	Hexagon Flange Bolt	4	piece
	DZ15221519969	Right Seat Assembly/M3000, L3000, L5000/Wide Backrest	1	piece
	Q1840830T1F31	Hexagon Flange Bolt	4	piece

Left Air Suspension Seat Assembly



Reference number	Part Number	Part Name	quantity	Unit of measurement
	1010102- DZ15221512013	1010102/Left Air-Suspension Seat Assembly/M3000, L3000, L5000/Wide Backrest/Adjustable	1	

1010102/Left Air-Suspension Seat Assembly/M3000, L3000, L5000/Wide
Backrest/Adjustable Damping/Armrests



Reference number	Part Number	Part Name	quantity	Unit of measurement
	RC0095013	X3000 Damper Assembly	1	piece
	RC0095014	X3000 Alarm Latch	1	piece
	RC0095016	X3000 Airbag Assembly	1	piece
	RC0101001	X5000S Air Valve Cable Assembly	1	piece
	RC0101007	VDC Valve Assembly	1	piece
	RC0113001	Slide Rail Assembly	1	piece
	RC9963001	M3000S Base Assembly	1	piece
	RC9963003	M3000S Damper Cable Assembly	1	piece
	RC9963004	M3000S Backrest Assembly	1	piece
	RC9963005	M3000S Lumbar Release Dual-Port	1	piece
	RC9963006	M3000S Seat Cushion Assembly	1	piece
	RC9963007	M3000S Left Side Cover	1	piece
	RC9963008	M3000S Angle Adjustment Handle	1	piece
	RC9963009	M3000S Main Side Left Angle Adjustment Assembly	1	piece
	RC9963010	M3000S Secondary Side Right Angle Adjustment Assembly	1	piece
	RC9963011	Recline Handle	1	piece
	RC9963016	M3000S Quick-Release Handle	1	piece
	RC9970015	L5000 Armrest	1	piece

Right Seat Assembly/M3000, L3000, L5000/Wide Backrest

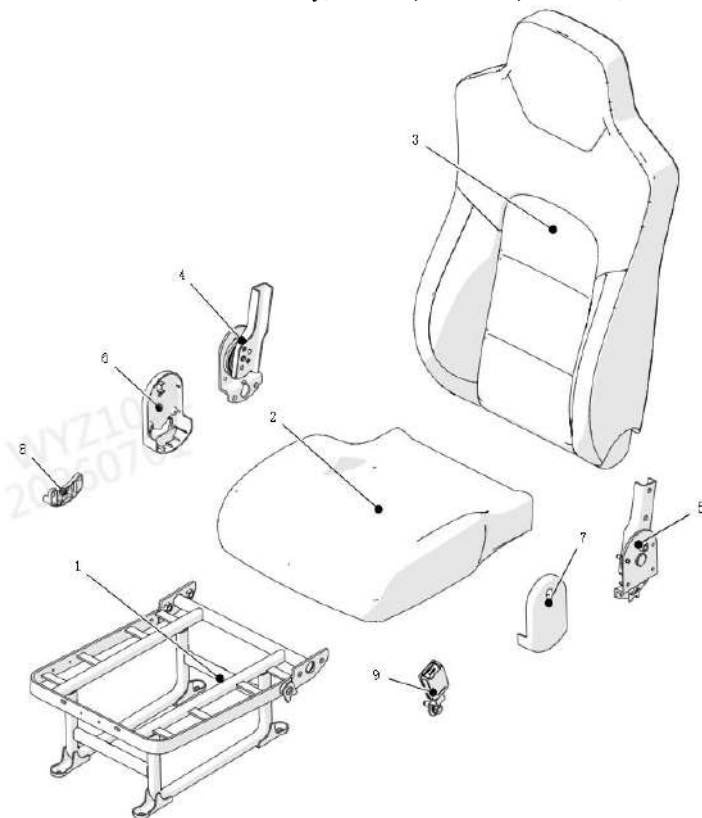
Reference number	Part Number	Part Name	quantity	Unit of measurement
------------------	-------------	-----------	----------	---------------------

1010102-
DZ15221519969

1010102/Right Fixed Seat
Assembly/M3000, L3000, L5000/Wide
Backrest

1

1010102/Right Fixed Seat Assembly/M3000, L3000, L5000/Wide Backrest



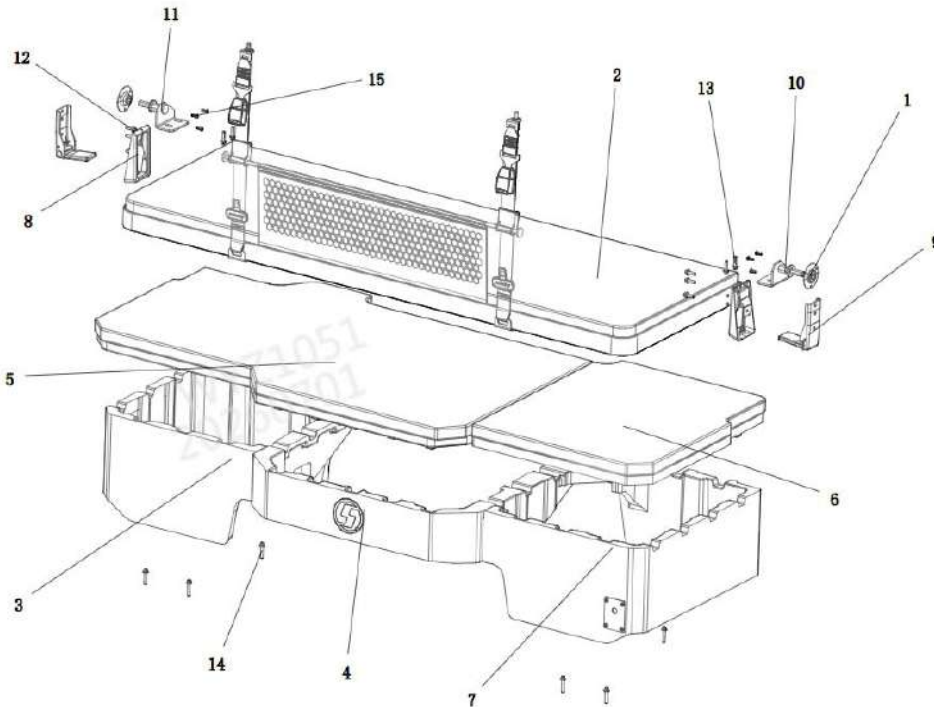
Reference number	Part Number	Part Name	quantity	Unit of measurement
	RC9969004	M3000S Passenger Seat Side Angle Adjuster	1	piece
1	RC0151004	M3000S Passenger Seat Base Bracket	1	piece
2	RC9969001	M3000S Passenger Seat Cushion	1	piece
3	RC9969002	M3000S Passenger Seat Backrest	1	piece
4	RC9969003	M3000S Passenger Seat Main Side Angle Adjuster	1	piece
6	RC9969005	M3000S Driver' s Side Left Cover	1	piece
7	RC9969006	M3000S Driver' s Side Right Cover	1	piece
8	RC9969007	M3000S Angle Adjuster Handle	1	piece
9	RC9969008	M3000S Seat Belt Buckle	1	piece

Seat Belt



Reference number	Part Number	Part Name	quantity	Unit of measurement
1	DZ15221560011	H3000 Seat Belt Assembly	2	piece

Sleeper



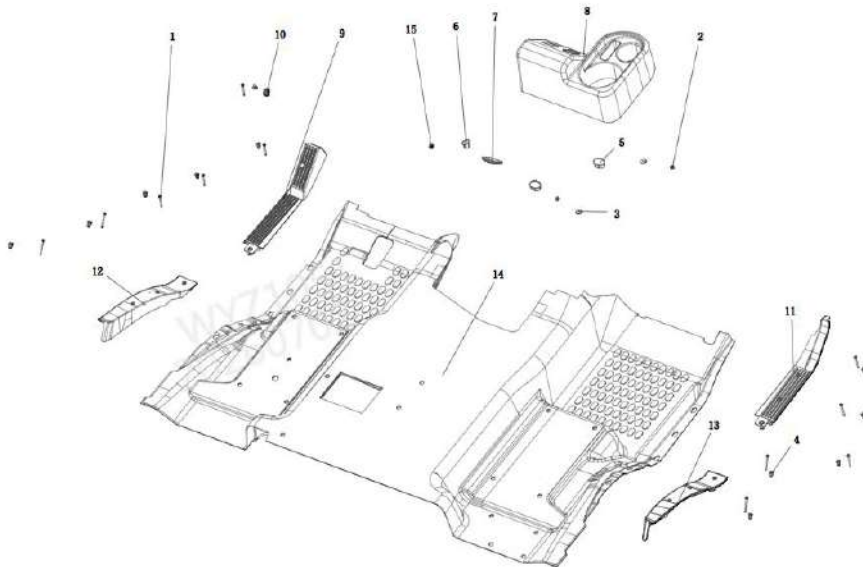
Reference number	Part Number	Part Name	quantity	Unit of measurement
1	DZ15221570016	Sleeper Swivel Bracket	2	piece
2	DZ15221570282	Upper Sleeper Berth	1	piece
3	DZ15221570387	Right Box Body Assembly	1	piece
4	DZ15221570388	Middle Baffle Assembly	1	piece
5	DZ15221570389	Lower Sleeper Right Sleeper Board Assembly	1	piece

6	DZ15221570416	Lower Sleeper Left Sleeper Board Assembly	1	piece
7	DZ15221570432	Left box assembly	1	piece
8	DZ15221579994	Upper Sleeper Bracket Guard	2	piece
9	DZ15221579995	Upper Sleeper Bracket Assembly	2	piece
10	DZ15221579997	Upper Sleeper Left Bracket	1	piece
11	DZ15221579998	Upper Sleeper Right Bracket	1	piece
12	Q1840825T1F31	Hexagon Flange Bolt	6	piece
13	Q1840830T1F31	Hexagon Flange Bolt	4	piece
14	Q1840840T1F31	Hexagon Flange Bolt	3	piece
14	Q1840840T1F31	Hexagon Flange Bolt	3	piece
15	Q2140616	Cross Recessed Pan Head Screw	6	piece

Upper Sleeper Berth

Reference number	Part Number	Part Name	quantity	Unit of measurement
	DZ15221570283	Upper Sleeper Frame Assembly/Without Winding Mechanism	1	piece
	DZ15221570284	Upper Sleeper Cushion Assembly	1	piece

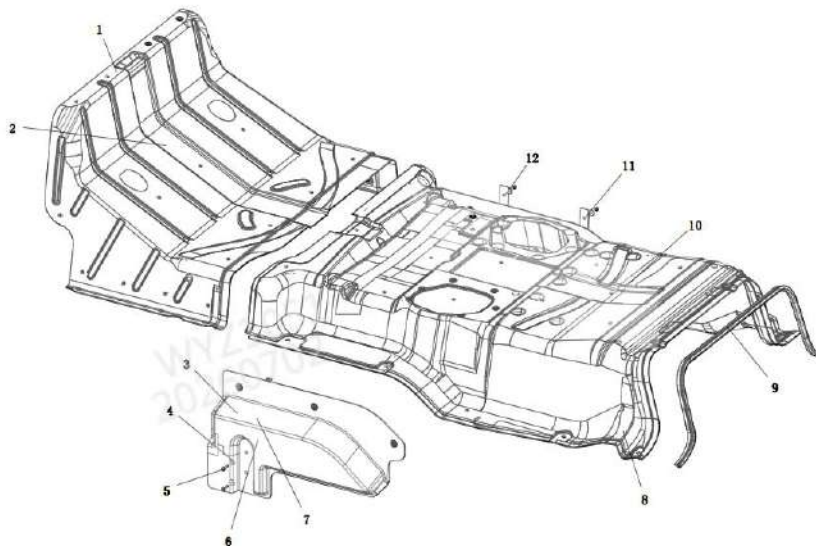
Floor Mat Assembly



Reference number	Part Number	Part Name	quantity	Unit of measurement
	DZ15221622089	Integral Foam Front Floor Mat	1	piece
	DZ15221620026	Left Front Door Threshold Bar	1	piece
	SXQ27Z4860F31	Cross Recessed Flange Pan Head Tapping Screws	3	piece
	DZ15221160147	Plastic Nut	3	piece
	DZ15221620041	Left Rear Door Sill Strip	1	piece

SXQ27Z4860F31	Cross Recessed Flange Pan Head Tapping Screws	3	piece
DZ15221160147	Plastic Nut	3	piece
DZ15221620032	Right Front Door Sill Strip	1	piece
SXQ27Z4860F31	Cross Recessed Flange Pan Head Tapping Screws	2	piece
DZ15221160147	Plastic Nut	2	piece
DZ15221620042	Right Rear Door Sill Strip	1	piece
SXQ27Z4860F31	Cross Recessed Flange Pan Head Tapping Screws	3	piece
DZ15221160147	Plastic Nut	3	piece
DZ15221620029	Doorsill Pressing Strip Blanking	1	piece
DZ15221611193	Manual Valve Cover	1	piece
Q32008T2F60	Hexagon Nut	1	piece
Q340B08T2F60	Type 1 Hex Nut	2	piece
Q402B08F60	Large Washer*	2	piece
DZ15221611092	Manual Valve Rubber Sheath	1	piece
DZ15221610135	Blanking Cap	2	piece
DZ15221610136	Blanking Cap	1	piece

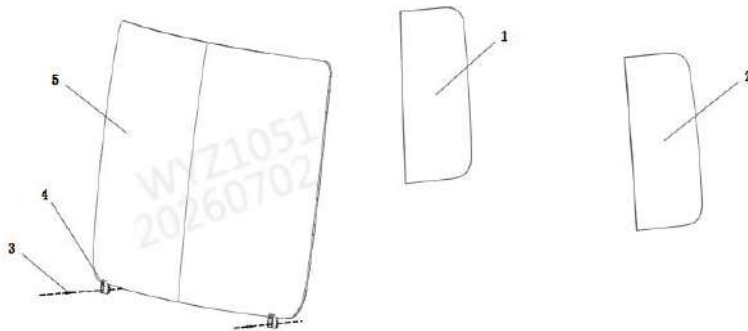
Dumboard



Reference number	Part Number	Part Name	quantity	Unit of measurement
1	DZ15221690150	Engine Hood Soundproofing Panel	1	piece
2	81.90820.0340	Lock Washer/5-22-*12CRN1177	25	piece
2	81.90820.0340	Lock Washer/5-22-*12CRN1177	21	piece
2	81.90820.0340	Lock Washer/5-22-*12CRN1177	4	piece
2	81.90820.0340	Lock Washer/5-22-*12CRN1177	3	piece

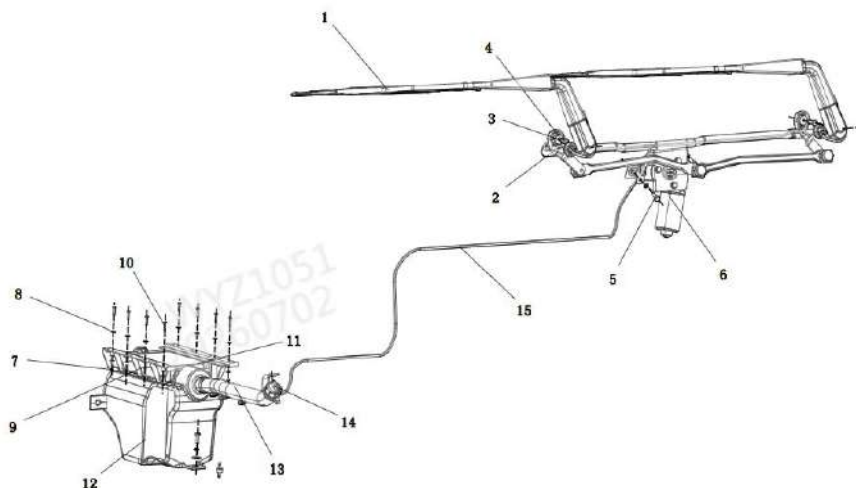
3	DZ15221690049	Engine Right Sound Insulation Board	1	piece
4	Q402B06	Large Washer (Galvanized)	5	piece
4	Q402B06	Large Washer (Galvanized)	5	piece
4	Q402B06	Large Washer (Galvanized)	5	piece
5	Q150B0625	Hexagon Head Bolt (Galvanized)	2	piece
5	Q150B0625	Hexagon Head Bolt (Galvanized)	2	piece
5	Q150B0625	Hexagon Head Bolt (Galvanized)	2	piece
6	Q340B06	Type 1 Hex Nut	3	piece
6	Q340B06	Type 1 Hex Nut	3	piece
6	Q340B06	Type 1 Hex Nut	3	piece
7	DZ15221690056	Sound Insulation Board Bracket	1	piece
8	DZ15221690153	Engine Front Thermal Pad	1	piece
9	DZ15221690011	Front Wall Trim	1	piece
10	DZ15221690094	Engine Left Dumboard	1	piece
11	DZ15221690078	Sound Insulation Board Installation Bracket 1	1	piece
12	DZ15221690096	Sound Insulation Board Installation Bracket	1	piece

Window glass



Reference number	Part Number	Part Name	quantity	Unit of measurement
1	DZ15221710044	Rear Right Side Window Glass/Opaque	1	piece
2	DZ15221710043	Left Rear Window Glass/Opaque	1	piece
3	Q2714216	Cross Recessed Countersunk Head	2	piece
4	DZ15221710002	Front Windshield Support Block	2	piece
5	DZ15221710010	Front Windshield Assembly	1	piece

Window Glass Cleaning System



Reference number	Part Number	Part Name	quantity	Unit of measurement
1	DZ15221740028	Scraper Arm Assembly/20 Model	2	piece
2	DZ14251740036	Through Hole Bending	2	piece
3	Q402B08	Large Washer (Galvanized)	6	piece
4	Q40308	Spring Washer 190003931102	6	piece
5	Q150B0820T1F3	Hexagon Head Bolt	6	piece
6	DZ15221740050	Wiper Linkage Assembly (L3000 Motor)/20 Model	1	piece
7	Q340B04	Type 1 Hex Nut	8	piece
8	Q402B04F60	Large Washer	16	piece
9	DZ15221740032	Right Mounting Bracket/Washing Pot	1	piece
10	Q215B0420T1F31	Hexagon Lobular Pan Head Screw	8	piece
11	DZ15221740031	Left Mounting Bracket/Washing Pot	1	piece
12	DZ15221743021	Spray Kettle Assembly	1	piece
13	DZ15221740033	Spray Kettle Inlet Pipe	1	piece
14	Q33006	All Metal Hexagonal Flange Locking Nut-Galvanized	1	piece
15	DZ15221740036	Water Bottle Spray Pipe/20 Model	1	piece

Scraper Arm Assembly/20 Model

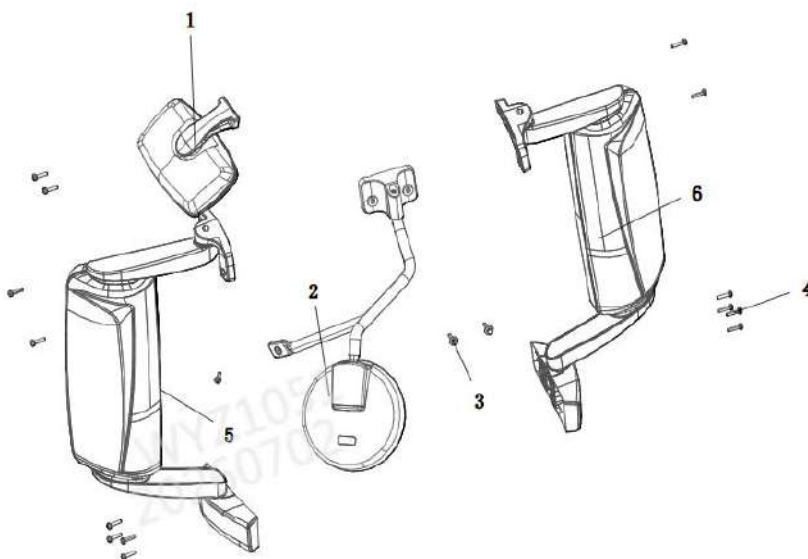
Reference number	Part Number	Part Name	quantity	Unit of measurement
	DZ15221740029	Scraper Arm/20 Model	1	piece
	DZ15221740016	Scraper Blade	1	piece

Spray Kettle Assembly



Reference number	Part Number	Part Name	quantity	Unit of measurement
	DZ15221743020	Spray Kettle Assembly	1	piece
	DZ15221743022	Water Pump	1	piece
	DZ15221740041	One-way Valve	1	piece

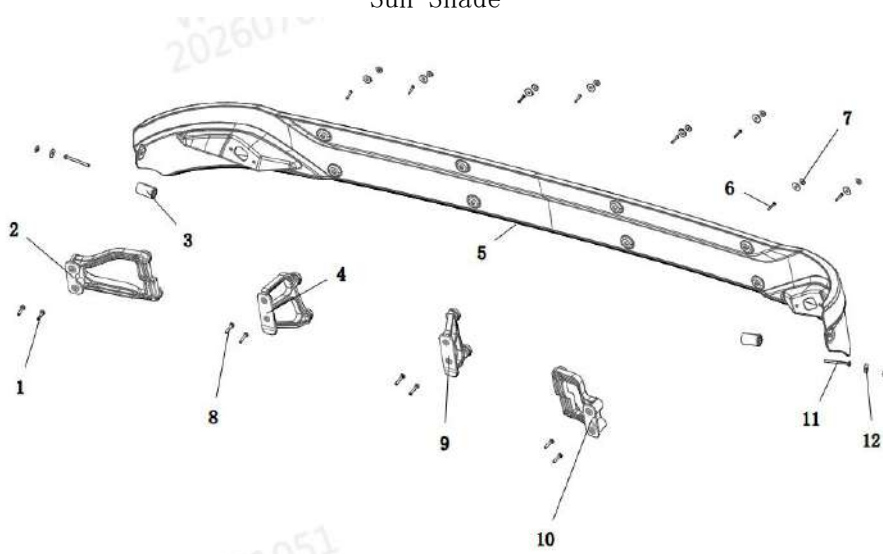
rearview mirror



Reference number	Part Number	Part Name	quantity	Unit of measurement
	DZ15221770870	Left Mirror Assembly	1	piece
	SXQ230B0835F60	Cross Slotted Screw And Washer Combination	6	piece
	DZ15221770880	Right Mirror Assembly	1	piece

SXQ230B0835F60	Cross Slotted Screw And Washer Combination	6	piece
DZ15221772027	Blind Repair Exterior Mirror	1	piece
SXQ230B0835F60	Cross Slotted Screw And Washer Combination	2	piece
DZ15221772028	Front Lower Mirror Assembly/20 Model/Removal Of Upper Installation Point Protective Shell/	1	piece
SXQ230B0835F60	Cross Slotted Screw And Washer Combination	1	piece
SXQ146B0840T1F6C	Hexagon Head Bolt, Spring Washer And Plain Washer Assembly	2	piece

Sun Shade



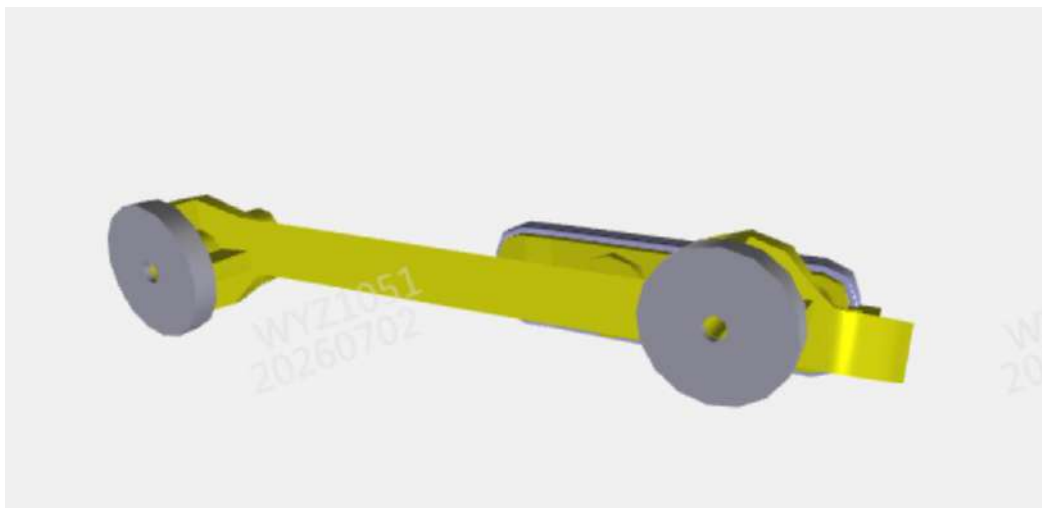
Reference number	Part Number	Part Name	quantity	Unit of measurement
1	Q2140630F60	Cross Recessed Pan Head Screw	2	piece
1	Q2140630F60	Cross Recessed Pan Head Screw	2	piece
2	DZ15221880183	Sunshade Left Outer Bracket Assembly/High Roof	1	piece
3	DZ15221880153	Rubber Sleeve	2	piece
4	DZ15221880185	Sunshade Left Middle Bracket Assembly/High Roof	1	piece
5	DZ15221880161	Sunshade Body	1	piece
6	Q2715532F31	Cross Recessed Countersunk Head	8	piece
7	Q402B06F60	Large Washer	10	piece
8	Q2140635F60	Cross Recessed Pan Head Screw	2	piece
8	Q2140635F60	Cross Recessed Pan Head Screw	2	piece
9	DZ15221880186	Sunshade Right Middle Bracket Assembly/High Roof	1	piece
10	DZ15221880184	Sunshade Right Outer Bracket Assembly/High Roof	1	piece
11	DZ15221880154	Cross Recessed Pan Head Screw	2	piece
12	Q402B08F60	Large Washer*	10	piece

Sunshade Left Outer Bracket Assembly/High Roof



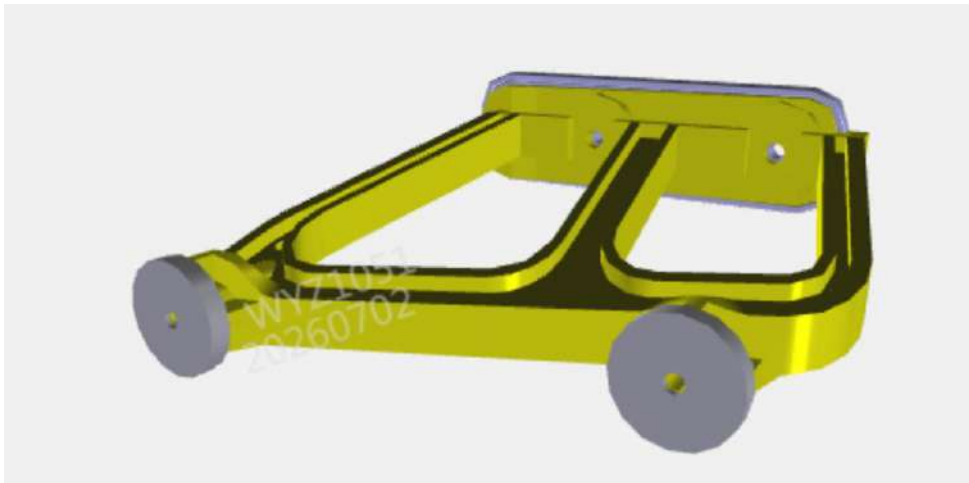
Reference number	Part Number	Part Name	quantity	Unit of measurement
	DZ15221880125	Gasket	1	piece
	DZ15221880163	Left Outer Bracket Of Sunshade	1	piece
	DZ15221880162	Rubber Cap	2	piece

Sunshade Left Middle Bracket Assembly/High Roof



Reference number	Part Number	Part Name	quantity	Unit of measurement
	DZ15221880122	Gasket/ I	1	piece
	DZ15221880165	Left Middle Bracket Of Sunshade	1	piece
	DZ15221880162	Rubber Cap	2	piece

Sunshade Right Middle Bracket Assembly/High Roof



Reference number	Part Number	Part Name	quantity	Unit of measurement
	DZ15221880122	Gasket/ I	1	piece
	DZ15221880166	Sunshade Right Middle Bracket	1	piece
	DZ15221880162	Rubber Cap	2	piece

Sunshade Right Outer Bracket Assembly/High Roof



Reference number	Part Number	Part Name	quantity	Unit of measurement
	DZ15221880125	Gasket	1	piece
	DZ15221880162	Rubber Cap	2	piece
	DZ15221880164	Right Outer Bracket Of Sunshade	1	piece

Interior

Reference number	Part Number	Part Name	quantity	Unit of measurement
	DZ15221612600	Upper Assembly Of High Top Miscellaneous Box	1	piece
	Q27A6325F31	Hexagon Lobular Countersunk Head	4	piece
	Q402B05F60	Large Washer	4	piece
	DZ15221160147	Plastic Nut	16	piece
	DZ15221612895	Top Cabinet Bottom Plate Assembly/20 Model	1	piece
	Q215B0620T1F31	Hexagon Lobular Pan Head Screw*	15	piece
	Q402B06F60	Large Washer	13	piece
	Q401B06F60	Flat Washer	2	piece
	Q27A4819F31	Hexagon Lobular Pan Head Tapping	6	piece
	Q27A2919F31	Hexagon Lobular Countersunk Head	2	piece
	DZ15221612661	Left A-Pillar Inner Guard Board/20 Model	1	piece
	DZ15221612662	Right A-Pillar Inner Guard Board/20 Model	1	piece
	DZ15221612663	Pillar Protecting Plate Blanking	2	piece
	DZ15221614040	High Roof Lining Assembly	1	piece
	Q27A4819F31	Hexagon Lobular Pan Head Tapping	1	piece
	DZ15221614045	Sleeper Curtain Guide Rail Assembly	1	piece
	Q27A4819F31	Hexagon Lobular Pan Head Tapping	5	piece
	DZ15221614050	Left Top Roof Assembly	1	piece
	DZ15221612702	Right Roof Assembly	1	piece
	DZ15221611441	Inner Lining/Front Top Cabinet	1	piece
	DZ15221614033	Buckle Nail	33	piece
	DZ15221612699	Buckle/20 Model	2	piece
	DZ15221612664	Front Top Cabinet Lower Lining/20	1	piece
	DZ15221612855	Rear Inner Liner, G/20 Model, No Rear Window	1	piece
	DZ15221614065	Rear Window Curtain Rail Assembly	1	piece
	Q27A4819F31	Hexagon Lobular Pan Head Tapping	4	piece
	DZ15221612853	Left Side Wall Cover	1	piece
	DZ15221612854	Right Side Panel Protecting Cover	1	piece
	DZ15221614063	Rear Roof Assembly	1	piece
	DZ15221612696	Rear Pedal Armrest/20 Model	2	piece
	Q150B0830T1F3	Hexagon Head Bolt	4	piece

	Q402B08	Large Washer (Galvanized)	4	piece
	Q40308	Spring Washer 190003931102	4	piece
	DZ15221612697	Left Boarding Handrail	1	piece
	DZ15221612698	Right Side Boarding Handrail	1	piece
	DZ15221611043	Top Cover Side Mounting Bracket	2	piece
	Q150B0820T1F3	Hexagon Head Bolt	8	piece

Upper Assembly Of High Top Miscellaneous Box

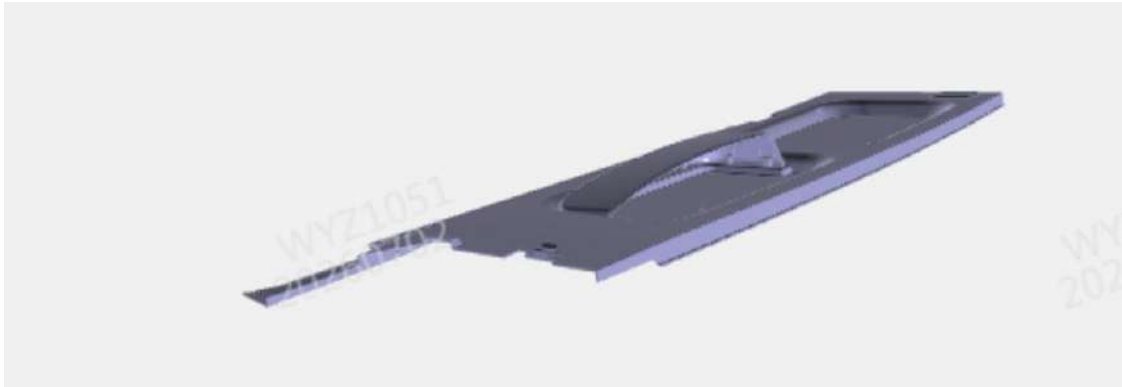
Reference number	Part Number	Part Name	quantity	Unit of measurement
	DZ15221612601	Main Panel	1	piece
	DZ15221612611	Door Lock Assembly	3	piece
	DZ15221612603	Hinge Assembly	6	piece
	DZ15221612604	Middle Door Panel	1	piece
	DZ15221612609	Baseboard	1	piece
	DZ15221612605	Left Door Panel	1	piece
	DZ15221612606	Right Door Panel	1	piece
	DZ15221612607	Left Base Plate	1	piece
	DZ15221612608	Right Base Plate	1	piece
	DZ15221612612	Upper Partition/20 Model	2	piece
	Q2714816	Cross Recessed Countersunk Head	30	piece
	Q2714813	Cross Recessed Countersunk Head	1	piece
	Q401B06F60	Flat Washer	14	piece
	Q401B06	Flat Washer	18	piece
	Q2714813	Cross Recessed Countersunk Head	41	piece

Top Cabinet Bottom Plate Assembly/20 Model



Reference number	Part Number	Part Name	quantity	Unit of measurement
	DZ15221612896	Electrical Panel/Tianxingjian	1	piece
	DZ15221614019	Front Window Rail Intermediate Transition Piece	1	piece
	DZ15221614023	Left Sun Shade Assembly	1	piece
	DZ15221614027	Left Front Window Rail	1	piece
	DZ15221614028	Right Front Window Rail	1	piece
	DZ9X259950015	Metal Buckle	2	piece
	Q27A4816F31	Hexagon Lobular Pan Head Tapping	19	piece
	Q27A2910F31	Hexagon Lobular Countersunk Head	11	piece
	Q27A2919F31	Hexagon Lobular Countersunk Head	2	piece
	Q401B06F60	Flat Washer	19	piece
	DZ15221612711	Side Window Rail Connection Transition Piece	2	piece
	DZ15221612685	Bottom Plate Cover/20 Model	4	piece
	DZ15221612623	Electrical Installation Inner Plate	1	piece
	DZ15221612624	Tianxingjian Bracket	1	piece
	DZ15221612627	Net Pocket	1	piece
	DZ15221612621	Lower Panel Assembly	1	piece
	DZ15221612625	Lower Separating Plate	2	piece
	DZ15221612628	Wire Harsher Box Cap	1	piece
	DZ15221614024	Right Sunshade Assembly	1	piece

Left Top Roof Assembly



Reference number	Part Number	Part Name	quantity	Unit of measurement
	DZ15221611016	Side Window Rail Fixed Seat	1	piece
	DZ15221614051	Left Top Inner Cover	1	piece
	DZ15221614053	Left Top Oddments Tray	1	piece
	DZ15221614055	Side Window Guide Rail Assembly	1	piece
	DZ15221611016	Side Window Rail Fixed Seat	4	piece

Cab

Reference number	Part Number	Part Name	quantity	Unit of measurement
	DZ15221105831	Cab	1	piece

Cab

Reference number	Part Number	Part Name	quantity	Unit of measurement
	DZ15221105834	Cab	1	piece
	DZ15221270083	Manual Valve Installation Bracket	1	piece

Cab

Reference number	Part Number	Part Name	quantity	Unit of measurement
	DZ15221185834	Cab	1	piece
	DZ15221213119	Left Door Welding Assembly/Lower Door Trim Panel/Integrated Door	1	piece
	DZ15221213120	Right Door Welding Assembly/Lower Door Trim Panel/Integrated Door	1	piece
	DZ15221210126	Left Door Upper Hinge	1	piece
	DZ15221210127	Left Door Lower Hinge	1	piece

	DZ15221210226	Right Door Upper Hinge	1	piece
	DZ15221210227	Right Door Lower Hinge	1	piece
	Q1860825TF3	Hexagon Flange Bolt	34	piece

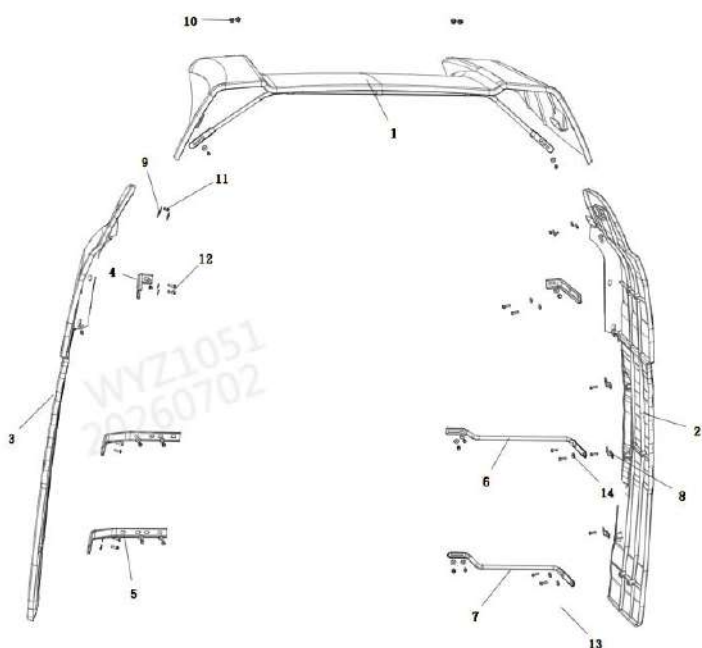
Cab

Reference number	Part Number	Part Name	quantity	Unit of measurement
	DZ15221275310	Floor Welding Assembly/G、H	1	piece
	DZ15221205330	Left Side Wall Welding Assembly	1	piece
	DZ15221205350	Right Side Wall Welding Assembly	1	piece
	DZ15221155010	Front Wall Welding Assembly/20	1	piece
	DZ15221190120	Rear Wall Welding Assembly	1	piece
	DZ15221150030	Front Wall Upper Crossbeam Welding Assembly	1	piece
	DZ15221200137	Outer Reinforcement Plate/Upper Left Corner Of The Windshield	1	piece
	DZ15221200138	Outer Reinforcement Plate/Upper Right Corner Of The Windshield	1	piece
	DZ15221200167	Inner Reinforcement Plate/Upper Left Corner Of The Windshield	1	piece
	DZ15221200168	Inner Reinforcement Plate/Upper Right Corner Of The Windshield	1	piece
	DZ15221170140	Top Cover Welding	1	piece
	DZ15221206030	LE Dashboard Mounting Bracket Sub-Assembly	2	piece

Curtain

Reference number	Part Number	Part Name	quantity	Unit of measurement
	DZ15221591010	Left Circular Curtain	1	piece
	DZ15221591020	Right Circular Curtain	1	piece
	DZ15221590090	Cab Sleeper Curtain	2	piece

Deflector



Reference number	Part Number	Part Name	quantity	Unit of measurement
1	DZ15221870090	Top Deflector Sub-Assembly	1	piece
2	DZ15221870083	Right Deflector	1	piece
3	DZ15221870082	Left Deflector	1	piece
4	DZ15221870086	Support (1)	2	piece
5	DZ15221870087	Bracket (2)	2	piece
6	DZ15221870088	Bracket (3)	1	piece
7	DZ15221870089	Bracket (4)	1	piece
8	DZ15221870093	Bracket (5)	3	piece
9	DZ15221870092	Base Plate	2	piece
10	Q33010	All Metal Hexagonal Flange Locking Nut-Galvanized	4	piece
11	Q150B0816	Hexagonal Head Bolt	19	piece
12	Q150B0828	Hexagon Head Bolt (Galvanized)	15	piece
13	Q33008	All Metal Hexagonal Flange Locking Nut-Galvanized	2	piece
14	Q40208	Large Washer	29	piece

Top Deflector Sub-Assembly

Reference number	Part Number	Part Name	quantity	Unit of measurement
	DZ15221870081	Top Deflector	1	piece
	DZ15221870084	Top Deflector Front Bracket	2	piece
	DZ15221870091	Top Deflector Support Tube Assembly	1	piece

	Q150B0816	Hexagonal Head Bolt	11	piece
--	-----------	---------------------	----	-------

Top Deflector Support Tube Assembly

Reference number	Part Number	Part Name	quantity	Unit of measurement
	DZ15221870085	Top Deflector Support Tube	1	piece
	DZ15221870094	Single Tube Clamp (BH)	3	piece

Assembly parts



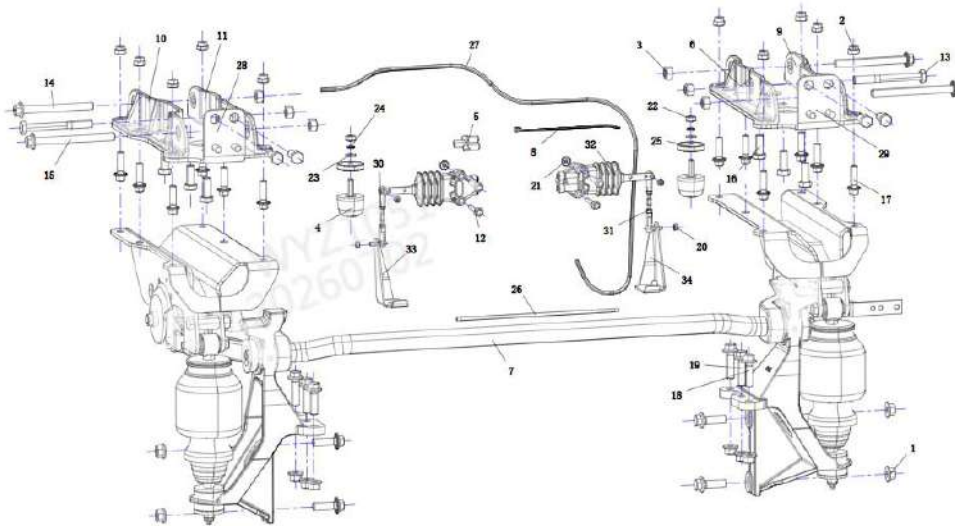
Reference number	Part Number	Part Name	quantity	Unit of measurement
1	06.13189.0108	Reed Nuts/ST4.8-5-MAN183-B1	1	piece
1	06.13189.0108	Reed Nuts/ST4.8-5-MAN183-B1	1	piece
2	DZ15221970014	Blanking Cap	2	piece
3	DZ15221970116	Front Crossbeam Assembly	1	piece
4	DZ15221970023	Left Outer Decorative Strip	1	piece
5	DZ15221970024	Right Outer Decorative Strip	1	piece
6	Q2714816F60	Cross Recessed Countersunk Head	1	piece
6	Q2714816F60	Cross Recessed Countersunk Head	1	piece
7	Q33214T13F3	2 Type All Metal Hexagonal Lock	4	piece

Front Crossbeam Assembly

Reference number	Part Number	Part Name	quantity	Unit of measurement
	DZ15221970043	Front Crossbeam Left Support	1	piece
	DZ15221970041	Front Cross Beam	1	piece
	DZ15221970044	Front Crossbeam Right Support	1	piece
	DZ15221431340	Elevation Valve Bracket	2	piece
	DZ15221970045	Strengthened Rib	2	piece
	81.97488.2759	2-Hole Connecting Plate	1	piece

Peripheral Parts Of The Cab

Front suspension of the cab



Reference number	Part Number	Part Name	quantity	Unit of measurement
1	06.11251.2005	Hexagon Nut With Flange/M7.112.40 M14*1.5-10-MAN183B1	10	piece
2	190003888468	Self-Locking Nut	5	piece
2	190003888468	Self-Locking Nut	5	piece
3	190003888620	Self-Locking Nut	3	piece
3	190003888620	Self-Locking Nut	3	piece
4	DZ13241430536	Buffer Block	2	piece
5	DZ14251440800	H-Shaped Joint	1	piece
6	DZ15221430333	Inner Connection Support/Left Longitudinal Beam	1	piece

7	DZ15221430372	New M3000 Front Suspension Sub Assembly/Air/Lateral Connection/Left Mount/Reinforced	1	piece
8	DZ93189777161	Ordinary Narrow Cable Tie	7	piece
9	DZ15221430331	Outer Connection Support/Left Longitudinal Beam	1	piece
10	DZ15221430332	Outer Connection Support/Right Longitudinal Beam	1	piece
11	DZ15221430334	Inner Connection Support/Right Longitudinal Beam	1	piece
12	Q1840855T1F3	Hexagon Flange Bolt	4	piece
13	Q151B14130TF3	Hexagon Head Bolt- Fine Thread	1	piece
13	Q151B14130TF3	Hexagon Head Bolt- Fine Thread	1	piece
14	Q18114140TF3	Toothed Bolt With Hexagon Flange	1	piece
14	Q18114140TF3	Toothed Bolt With Hexagon Flange	1	piece
15	SXQ18114160TF3	Toothed Bolt With Hexagon Flange	1	piece
15	SXQ18114160TF3	Toothed Bolt With Hexagon Flange	1	piece
16	Q150B1435TF3	Hexagon Head Bolt	5	piece
16	Q150B1435TF3	Hexagon Head Bolt	5	piece
17	Q1811240TF3	Toothed Bolt With Hexagon Flange	6	piece
17	Q1811240TF3	Toothed Bolt With Hexagon Flange	6	piece
18	Q1811445TF3	Toothed Bolt With Hexagon Flange	6	piece
19	Q1811450TF3	Toothed Bolt With Hexagon Flange	4	piece
20	Q33206	2 Type All Metal Hexagonal Lock	2	piece
20	Q33206	2 Type All Metal Hexagonal Lock	2	piece
21	Q32008	Hexagon Nut	4	piece
22	Q340B10T2F60	Type 1 Hex Nut	2	piece
23	Q401B10	Flat Washer	2	piece
24	Q40310	Spring Washer 190003931122	2	piece
25	DZ15221430273	Gasket	2	piece
26	DZ15221430090	Polyamide Tube	2	piece
27	DZ14251440227	Polyamide Pipe/Black/1250	2	piece
28	DZ15221430252	Right Connecting Plate Assembly	1	piece
29	DZ15221430251	Left Connecting Plate Assembly	1	piece
30	DZ14251440525	Regulating Lever Assembly/Left Front/2+1	1	piece
31	DZ14251440526	Regulating Lever Assembly/Right Front/2+1	1	piece
32	DZ16231440070	Height Valve	2	piece
33	DZ15221433012	Regulating Lever Bracket	1	piece
34	DZ15221433011	Regulating Lever Bracket	1	piece

New M3000 Front Suspension Sub Assembly/Air/Lateral Connection/Left

Reference number	Part Number	Part Name	quantity	Unit of measurement
	06.29010.0117	Shield Ring	2	piece
	190003888458	Self-Locking Nut	2	piece

SZ952000864	Dtf Hex Flange Nut M16 × One Point Five	2	piece
81.41720.6060	Right Bracket Assembly	1	piece
81.41720.6061	Left Support Assembly	1	piece
81.90713.0909	Adjusting Shim	2	piece
81.95801.0114	Roller	2	piece
81.96101.0638	Gasket	2	piece
81.96210.0407	Gasket	2	piece
81.96503.0129	Gasket	4	piece
DZ13241430095	Turnover Shaft Assembly/Reinforced	1	piece
DZ15221430258	Right Bracket Assembly	1	piece
DZ15221430800	Air Spring Assembly (Front)	2	piece
DZ97189777132	L-Shaped Bracket	1	piece
Q151B1480TF3	Hexagon Head Bolt- Fine Thread	2	piece
SXQ18116100TF3	Toothed Bolt With Hexagon Flange	2	piece
SXQ218B1430T1F3	Hexagon Socket Head Cap Screw	2	piece
Q401B14	Flat Washer	2	piece
DZ15221430352	Left Bracket Assembly/LHD	1	piece

Right Bracket Assembly



Reference number	Part Number	Part Name	quantity	Unit of measurement
	06.36950.0510	Bushing	1	piece

190003963112	Metric Conical Thread Grease Nozzle	1	piece
81.41720.0090	Front Suspension Right Support	1	piece

Left Support Assembly



Reference number	Part Number	Part Name	quantity	Unit of measurement
	190003963112	Metric Conical Thread Grease Nozzle	1	piece
	06.36950.0510	Bushing	1	piece
	81.41720.0091	Front Suspension Left Support	1	piece

Turnover Shaft Assembly/Reinforced

Reference number	Part Number	Part Name	quantity	Unit of measurement
	DZ13241430096	Balance Bar Assembly	1	piece
	DZ14251432098	Rocker Arm Bush Assembly	2	piece

Balance Bar Assembly

Reference number	Part Number	Part Name	quantity	Unit of measurement
	DZ13241430097	Turnover Shaft /Reinforced	1	piece
	DZ13241430113	Left Swing Arm / Structural Reinforcement	1	piece

DZ13241430114 Right Swing Arm / Structural Reinforcement 1 piece

Right Bracket Assembly



Reference number	Part Number	Part Name	quantity	Unit of measurement
	81.41720.2402	Corner Piece	1	piece
	81.41720.2570	U-Guide Rail	1	piece
	81.91020.2297	Pin Bolt	1	piece
	81.91020.2311	Pin	1	piece
	DZ15221430264	Strengthened Plate	1	piece
	DZ15221430266	Right Bracket Outer Plate	1	piece
	DZ15221430268	Right Bracket Inner Plate	1	piece
	DZ15221430272	U-Shaped Reinforcement Plate	1	piece

Right Connecting Plate Assembly



Reference number	Part Number	Part Name	quantity	Unit of measurement
	Q151C1230T1F3	Hexagon Head Bolt- Fine Thread	2	piece
	DZ15221430224	Right Connecting Plate	1	piece

Left Connecting Plate Assembly



Reference number	Part Number	Part Name	quantity	Unit of measurement
	Q151C1230T1F3	Hexagon Head Bolt- Fine Thread	2	piece
	DZ15221430223	Left Connecting Plate	1	piece

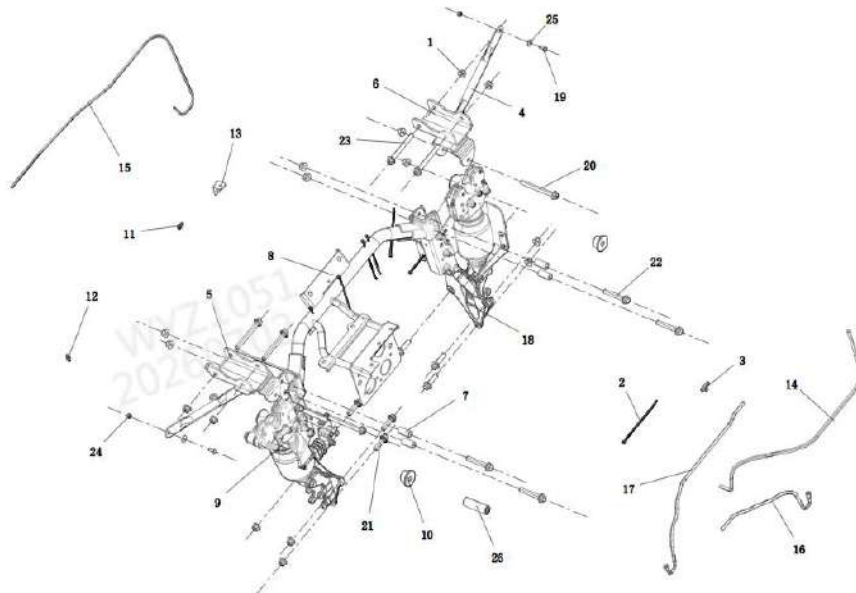
Regulating Lever Assembly/Left Front/2+1

Reference number	Part Number	Part Name	quantity	Unit of measurement
	DZ14251440345	Threaded Rod (Threaded Rod)	1	piece
	DZ14251440357	Ball Joint/Left Thread/M6	1	piece
	DZ14251440358	Ball Joint/Right Thread/M6	1	piece
	Q340B06	Type 1 Hex Nut	2	piece
	Q40306	Spring Washer	2	piece

Regulating Lever Assembly/Right Front/2+1

Reference number	Part Number	Part Name	quantity	Unit of measurement
	DZ14251440345	Threaded Rod (Threaded Rod)	1	piece
	DZ14251440357	Ball Joint/Left Thread/M6	1	piece
	DZ14251440358	Ball Joint/Right Thread/M6	1	piece
	Q340B06	Type 1 Hex Nut	2	piece
	Q40306	Spring Washer	2	piece

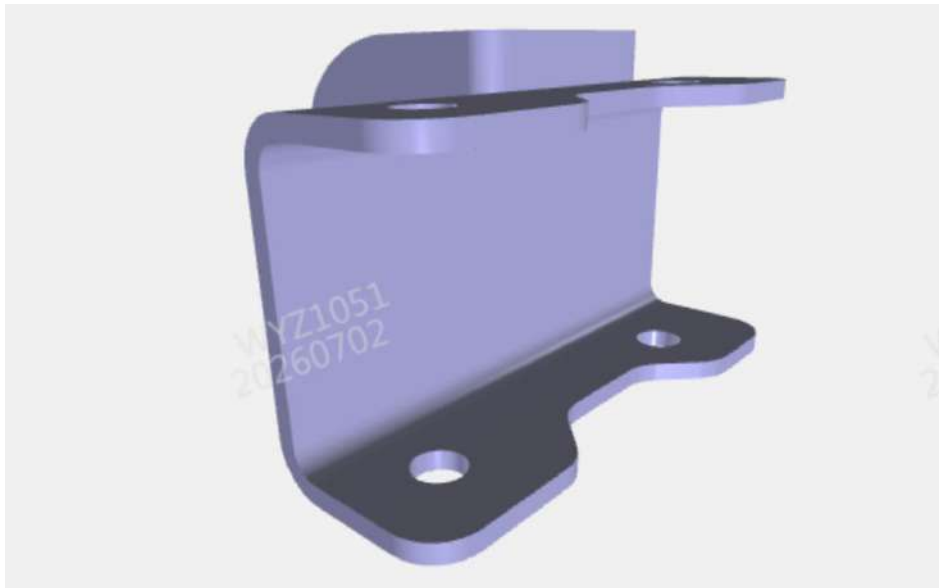
Cab Rear Suspension



Reference number	Part Number	Part Name	quantity	Unit of measurement
	DZ96189362007	Spiral Tube Bracket	1	piece
	Q1841025T1F62	Hexagon Flange Bolt	2	piece
	Q33010T2F62	All Metal Hexagonal Flange Locking	2	piece
1	06.11251.2005	Hexagon Nut With Flange/M7.112.40 M14*1.5-10-MAN183B1	2	piece
1	06.11251.2005	Hexagon Nut With Flange/M7.112.40 M14*1.5-10-MAN183B1	2	piece
1	06.11251.2005	Hexagon Nut With Flange/M7.112.40 M14*1.5-10-MAN183B1	2	piece
1	06.11251.2005	Hexagon Nut With Flange/M7.112.40 M14*1.5-10-MAN183B1	2	piece
1	06.11251.2005	Hexagon Nut With Flange/M7.112.40 M14*1.5-10-MAN183B1	6	piece
1	06.11251.2005	Hexagon Nut With Flange/M7.112.40 M14*1.5-10-MAN183B1	2	piece
2	DZ93189777161	Ordinary Narrow Cable Tie	7	piece
3	1.90004E+11	Ferrule Type T Joint	1	piece
4	DZ15221442006	Floor Connecting Bracket	2	piece
5	DZ15221443541	Left Lock Seat Assembly	1	piece
6	DZ15221443542	Right Lock Seat Assembly	1	piece
7	DZ15221443755	Sleeve	4	piece
8	DZ15221443865	Cross Beam Assembly	1	piece
9	DZ15221443845	Left Rear Suspension Subassembly	1	piece
10	DZ15221444502	Nylon Sleeve	4	piece
11	DZ93189777031	Fixed Seat Fastening Strap	1	piece
12	DZ93189777036	Fixed Seat Fastening Strap	1	piece
13	DZ98149777002	Fixing Bracket	1	piece
14	DZ96259820150	High Pressure Hose/L/950	1	piece
15	DZ14251440228	Polyamide Pipe/Black/1400	1	piece
16	DZ93259820228	High-Pressure Hose	1	piece
17	DZ93259820227	High-Pressure Hose	1	piece
18	DZ15221443846	Right Rear Suspension Sub-Assembly	1	piece

19	Q150B0820T1F3	Hexagon Head Bolt	2	piece
20	Q18114140TF3	Toothed Bolt With Hexagon Flange	2	piece
21	Q1811450TF3	Toothed Bolt With Hexagon Flange	3	piece
21	Q1811450TF3	Toothed Bolt With Hexagon Flange	3	piece
22	Q1811490TF3	Toothed Bolt With Hexagon Flange	4	piece
23	Q18114120TF3	Toothed Bolt With Hexagon Flange	2	piece
23	Q18114120TF3	Toothed Bolt With Hexagon Flange	2	piece
24	Q33208T2F3	2 Type All Metal Hexagonal Lock Nut	2	piece
25	Q402B08	Large Washer (Galvanized)	2	piece
26	DZ15221444501	Locking Pin	2	piece

Left Lock Seat Assembly



Reference number	Part Number	Part Name	quantity	Unit of measurement
	DZ15221443423	Left Lock Seat Connecting Plate	1	piece
	DZ15221443435	U-Shaped Base	1	piece

Right Lock Seat Assembly

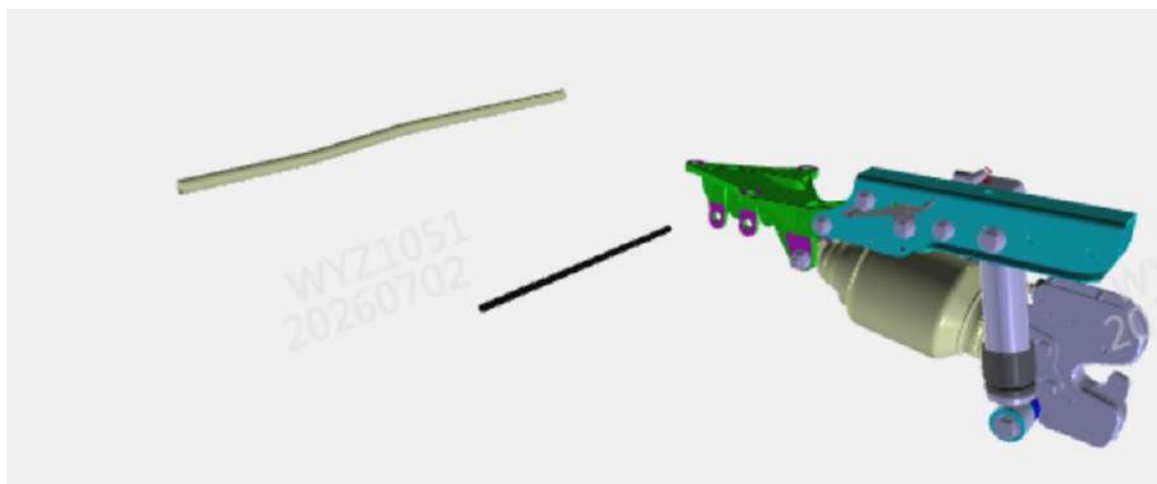


Reference number	Part Number	Part Name	quantity	Unit of measurement
	DZ15221443424	Right Lock Seat Connecting Plate	1	piece
	DZ15221443435	U-Shaped Base	1	piece

Cross Beam Assembly

Reference number	Part Number	Part Name	quantity	Unit of measurement
	DZ15221443867	Trailer Plate	1	piece
	DZ15221443841	Harness Bracket	2	piece
	DZ15221443828	Air Filter Bracket 1	1	piece
	DZ15221443829	Air Filter Bracket 2	1	piece
	DZ15221443833	Left base of crossbeam	1	piece
	DZ15221443834	Right base of crossbeam	1	piece
	DZ15221443835	Elbow 1	1	piece
	DZ15221443836	Bend pipe 2	1	piece
	DZ15221443826	Cross Beam	1	piece

Left Rear Suspension Subassembly



Reference number	Part Number	Part Name	quantity	Unit of measurement
	06.11251.2003	Hexagon Nut With Flange/M7.112.40 M14*1.5-10-MAN183B1	4	piece
	06.11251.2005	Hexagon Nut With Flange/M7.112.40 M14*1.5-10-MAN183B1	2	piece
	190003888468	Self-Locking Nut	2	piece
	190003888458	Self-Locking Nut	1	piece
	81.98181.6065	T-Shaped Joint	1	piece
	DZ13241440190	Hydraulic Lock Assembly/No Signal Switch	1	piece
	DZ14251440346	Regulating Lever Assembly	1	piece
	DZ15221440800	Air Spring Assembly	1	piece
	DZ15221443404	Rear Suspension Right Support	1	piece
	DZ15221443414	Sleeve	1	piece
	DZ15221444153	Height valve adjustment rod bracket	1	piece
	DZ16231440070	Height Valve	1	piece
	DZ93189777031	Fixed Seat Fastening Strap	2	piece
	DZ9L149778019	T-shaped bracket	1	piece
	DZ15221443847	Shock Absorber Mounting Seat	1	piece
	DZ15221443849	Elevation Valve Bracket	1	piece
	DZ14251440662	Polyamide Pipe/Black/150	1	piece
	DZ14251430091	Polyamide Tube	1	piece
	Q150B0850	Hexagonal Head Bolt	2	piece
	Q151B14130TF3	Hexagon Head Bolt- Fine Thread	1	piece
	Q151C1270T1F3	Hexagon Head Bolt- Fine Thread	2	piece
	Q1811270TF3	Toothed Bolt With Hexagon Flange	2	piece
	Q1811280TF3	Toothed Bolt With Hexagon Flange	2	piece
	Q1811475TF3	Toothed Bolt With Hexagon Flange	1	piece
	Q1811480TF3	Toothed Bolt With Hexagon Flange	1	piece
	Q33206	2 Type All Metal Hexagonal Lock	2	piece
	Q33208T2F3	2 Type All Metal Hexagonal Lock Nut	2	piece
	Q401B14	Flat Washer	1	piece
	DZ15221443420	Lateral Damper	1	piece

Regulating Lever Assembly

Reference number	Part Number	Part Name	quantity	Unit of measurement
	DZ14251440345	Threaded Rod (Threaded Rod)	1	piece
	DZ14251440357	Ball Joint/Left Thread/M6	1	piece
	DZ14251440358	Ball Joint/Right Thread/M6	1	piece
	Q340B06	Type 1 Hex Nut	2	piece

Right Rear Suspension Sub-Assembly

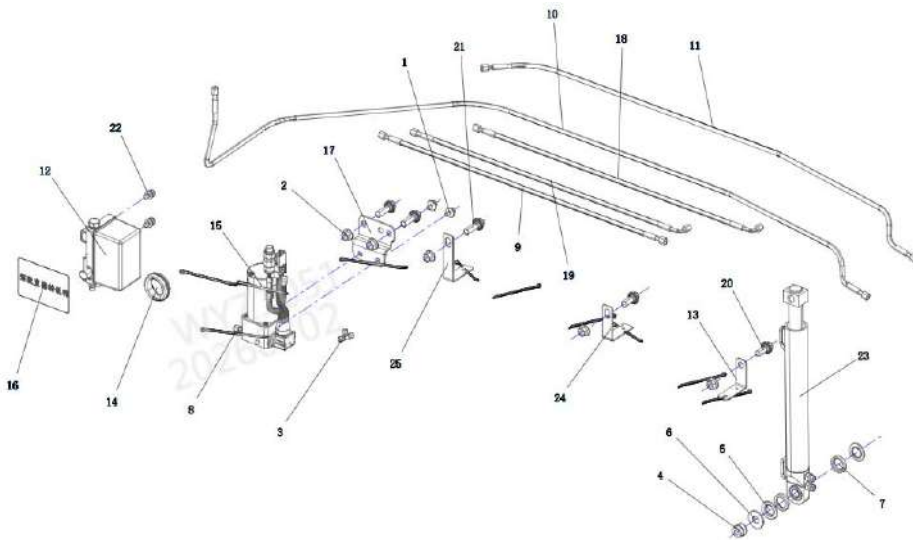
Reference number	Part Number	Part Name	quantity	Unit of measurement
	DZ15221440146	Pipeline Bracket	1	piece
	06. 11251. 2003	Hexagon Nut With Flange/M7. 112. 40 M14*1. 5-10-MAN183B1	3	piece
	06. 11251. 2005	Hexagon Nut With Flange/M7. 112. 40 M14*1. 5-10-MAN183B1	2	piece
	190003888457	Self-Locking Nut	2	piece
	190003888458	Self-Locking Nut	1	piece
	DZ13241440185	Hydraulic Lock Assembly	1	piece
	DZ15221440800	Air Spring Assembly	1	piece
	DZ15221443403	Rear Suspension Left Support	1	piece
	DZ15221443847	Shock Absorber Mounting Seat	1	piece
	DZ15221443813	Right Heat Shield	1	piece
	DZ15221443815	Heat Shield Bracket 2	1	piece
	Q150B0618	Hexagon Head Bolt (Galvanized)	7	piece
	Q151B14130TF3	Hexagon Head Bolt- Fine Thread	1	piece
	Q151C1265T1F3	Hexagon Head Bolt- Fine Thread	2	piece
	Q1811270TF3	Toothed Bolt With Hexagon Flange	2	piece
	Q1811275TF3	Toothed Bolt With Hexagon Flange	1	piece
	Q1811475TF3	Toothed Bolt With Hexagon Flange	1	piece
	Q1811480TF3	Toothed Bolt With Hexagon Flange	1	piece
	Q33206	2 Type All Metal Hexagonal Lock	6	piece
	Q401B14	Flat Washer	1	piece
	Q402B06	Large Washer (Galvanized)	4	piece
	DZ15221443848	Insulation Hood Bracket	1	piece
	DZ15221443420	Lateral Damper	1	piece
	DZ15221443414	Sleeve	1	piece

Hydraulic Lock Assembly



Reference number	Part Number	Part Name	quantity	Unit of measurement
	2020060- DZ13241440185	2020060/Hydraulic Lock Assembly	1	

Cab tilting device



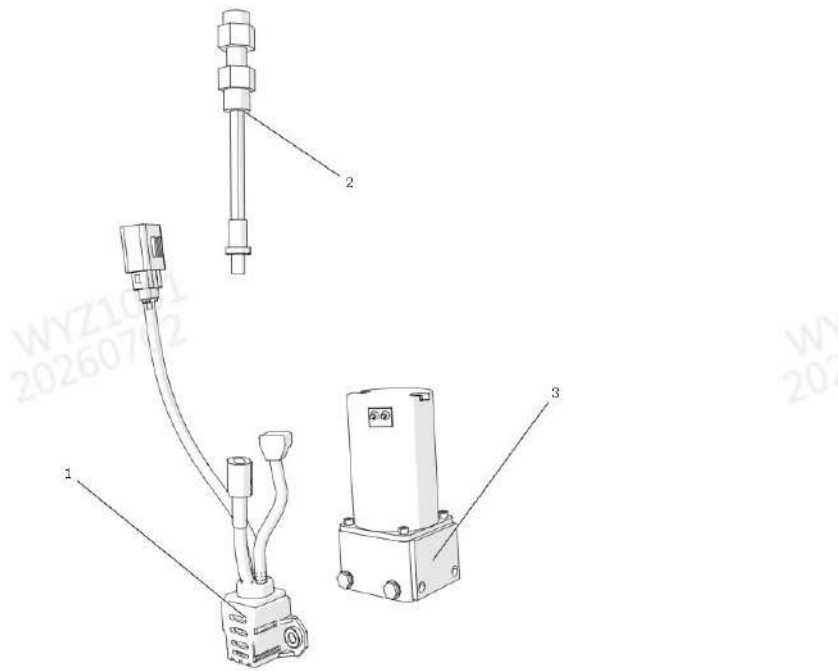
Reference number	Part Number	Part Name	quantity	Unit of measurement
1	SXQ146B0820T1F6C	Hexagon Head Bolt, Spring Washer And Plain Washer Assembly	2	piece

2	06.11251.2005	Hexagon Nut With Flange/M7.112.40 M14*1.5-10-MAN183B1	1	piece
2	06.11251.2005	Hexagon Nut With Flange/M7.112.40 M14*1.5-10-MAN183B1	1	piece
2	06.11251.2005	Hexagon Nut With Flange/M7.112.40 M14*1.5-10-MAN183B1	1	piece
2	06.11251.2005	Hexagon Nut With Flange/M7.112.40 M14*1.5-10-MAN183B1	2	piece
3	190003559482	Ferrule Type T Joint	1	piece
4	190003888466	Locking Nuts	1	piece
5	81.90712.0983	Gasket	2	piece
6	81.90713.0695	Gasket	1	piece
7	81.96502.0867	Non-Asbestos Seal Ring	2	piece
8	DZ93189777161	Ordinary Narrow Cable Tie	10	piece
9	DZ93259820142	High Pressure Hose/I/850	1	piece
10	DZ93259820157	High Pressure Hose/I/2350	1	piece
11	DZ93259820158	High Pressure Hose/I/1500	1	piece
12	DZ93259820550	Electric Oil Pump/RHD	1	piece
13	DZ96259820044	Oil Tube Bracket	1	piece
14	DZ97189777130	Threading Sheath (Φ 50 Wall Thickness 5-13)	1	piece
15	DZ97259820140	Oil Pump Motor Assembly (RHD)	1	piece
16	DZ97259820188	Turnover Sign	1	piece
17	DZ96259820241	Motor Mounting Plate	1	piece
18	DZ96259820134	High-Pressure Hose (M14)/L/830	1	piece
19	DZ93259820045	High-Pressure Hose/L/830	1	piece
20	Q1811435TF3	Hexagon Flange Facing Toothed Bolt	1	piece
20	Q1811435TF3	Hexagon Flange Facing Toothed Bolt	1	piece
21	Q1811445TF3	Toothed Bolt With Hexagon Flange	1	piece
21	Q1811445TF3	Toothed Bolt With Hexagon Flange	2	piece
22	SXQ146B1020T1F6C	Hexagon Head Bolt, Spring Washer And Plain Washer Assembly	2	piece
23	SZ182000788	Strengthening The Flipping Cylinder	1	piece
24	DZ97259820038	Bracket/I	1	piece
25	DZ96259820047	Flip Over Oil Pipe Bracket	1	piece

Oil Pump Motor Assembly (RHD)

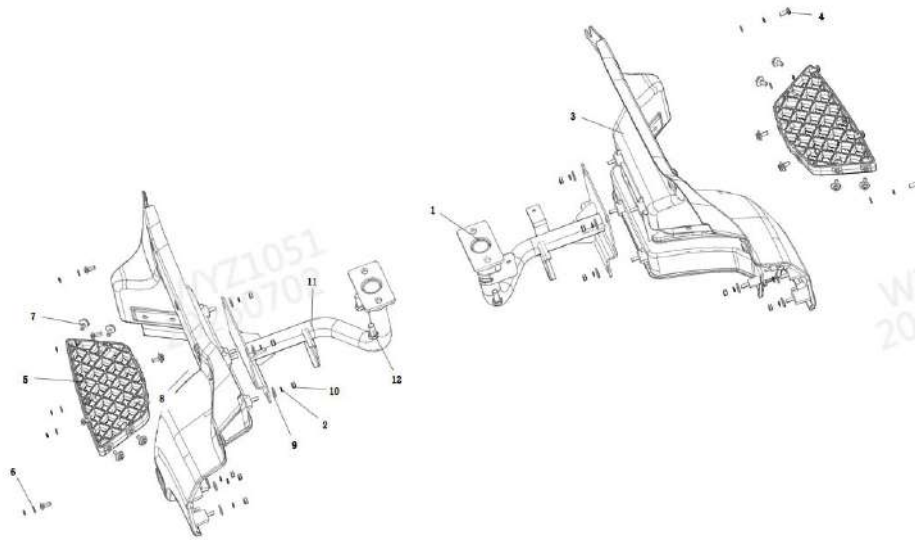
Reference number	Part Number	Part Name	quantity	Unit of measurement
	2020060-	2020060/Oil Pump Motor Assembly	1	
	DZ97259820140	(Right-Hand Drive)		

2020060/Oil Pump Motor Assembly (Right-Hand Drive)



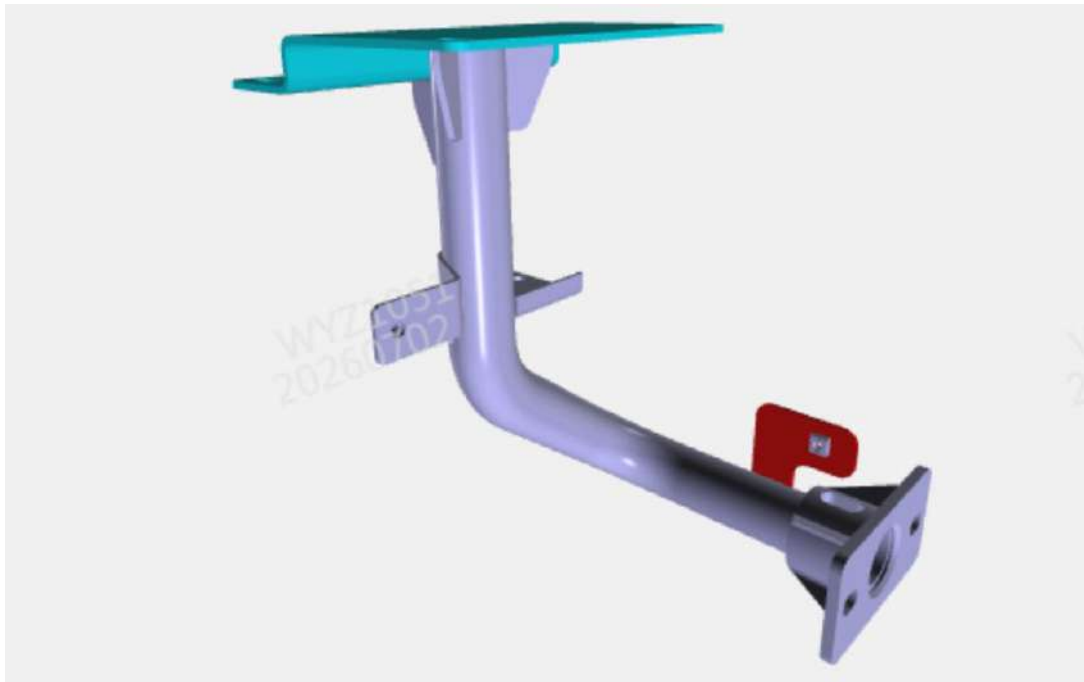
Reference number	Part Number	Part Name	quantity	Unit of measurement
	DZ97259820381	Oil Pump Motor Relay (2020060)	1	piece
	DZ97259820382	Oil Pump Motor Switch (2020060)	1	piece
	DZ9X189822061	Motor Assembly/After Sales Split (2020060)	1	piece

Get-on Pedal/Cab



Reference number	Part Number	Part Name	quantity	Unit of measurement
1	DZ15221240220	Upper Right Pedal Bracket Assembly	1	piece
2	Q40308	Spring Washer 190003931102	24	piece
3	DZ15221245002	Right Upper Door Step	1	piece
4	Q2140820	Cross Recessed Pan Head Screw	10	piece
5	DZ15221245005	Door Step/20 Model	2	piece
6	Q40008	Small Washer	10	piece
7	SXQ236B0825F60L	Cross Recessed Pan Head Screw, Spring Washer And Plain Washer	12	piece
8	DZ15221245001	Left Upper Door Steps	1	piece
9	Q402B08	Large Washer (Galvanized)	14	piece
10	Q340B08T2F3	Type 1 Hex Nut	14	piece
11	DZ15221240210	Upper Left Pedal Bracket Assembly	1	piece
12	Q151B1430T1F3	Hexagon Head Bolt- Fine Thread	4	piece

Upper Right Pedal Bracket Assembly



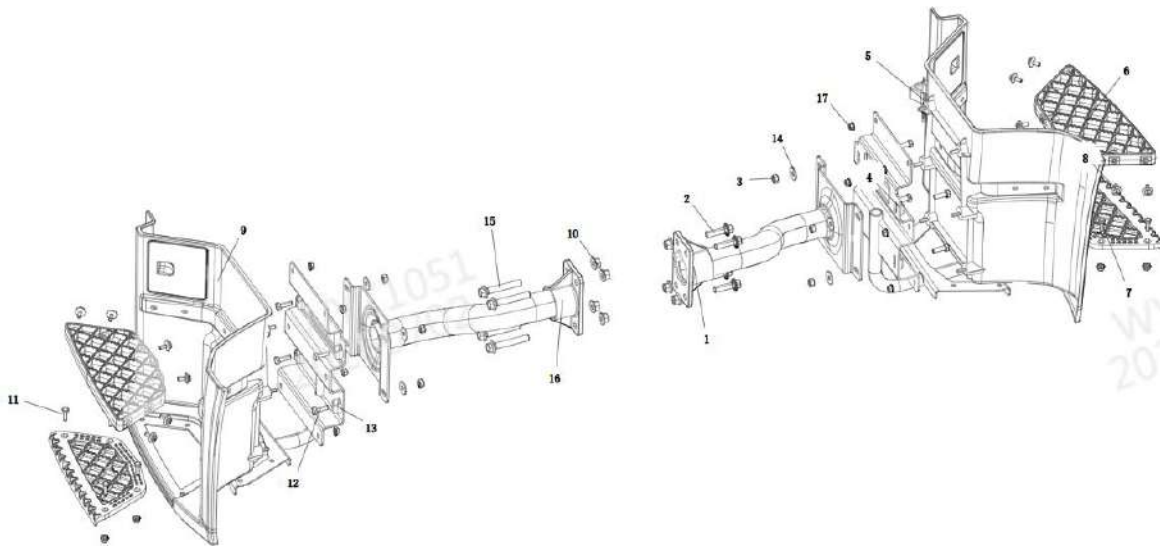
Reference number	Part Number	Part Name	quantity	Unit of measurement
	DZ13221240133	Strengthened Rib	1	piece
	DZ13221240133	Strengthened Rib	2	piece
	DZ15221230072	Front Fender Bracket (1)	1	piece
	DZ15221240212	Right Bracket	1	piece
	DZ15221240213	Fixed Plate	1	piece
	DZ15221240214	Washing Pot Support Frame	1	piece
	DZ15221242334	Connecting Seat	1	piece
	Q37108	Welding Square Nut	2	piece
	DZ15221242343	Washing Pot Bracket 2	1	piece

Upper Left Pedal Bracket Assembly



Reference number	Part Number	Part Name	quantity	Unit of measurement
	DZ15221240213	Fixed Plate	1	piece
	DZ13221240133	Strengthened Rib	3	piece
	DZ15221230073	Front Fender Bracket 2	1	piece
	DZ15221240211	Left Bracket	1	piece
	DZ15221242334	Connecting Seat	1	piece

Get-on Pedal/Chassis



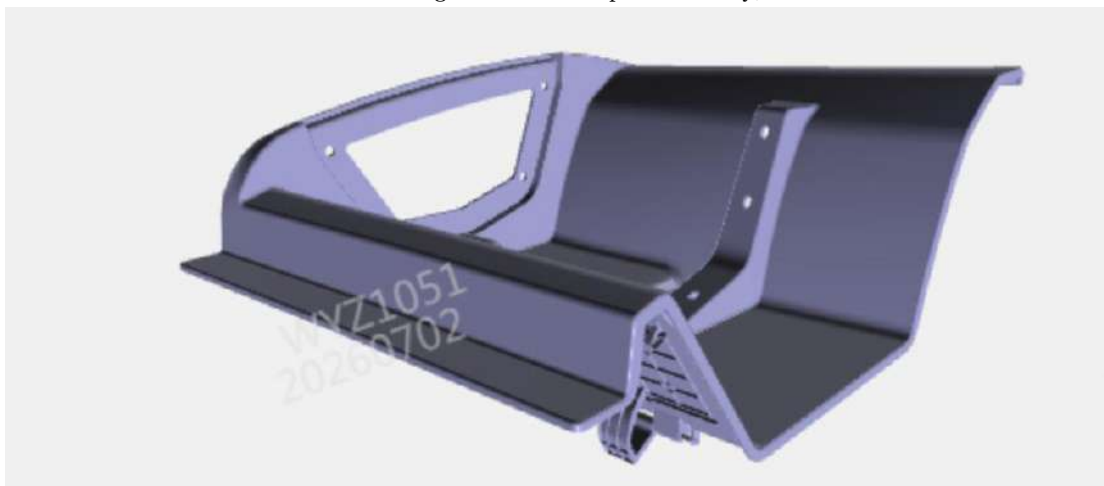
Reference number	Part Number	Part Name	quantity	Unit of measurement
1	DZ15221242860	Installing Bracket Assembly (Right)	1	piece
2	Q1811450TF3	Toothed Bolt With Hexagon Flange	4	piece
3	Q33210T2F3	2 Type All Metal Hexagonal Lock Nut	8	piece
4	DZ15221244240	Support Bracket Assembly (Right)/20 Model	1	piece
5	DZ15221245060	Lower Right Door Step Assembly/20	1	piece
6	DZ15221245005	Door Step/20 Model	2	piece
7	DZ15221245007	Step Down/20 Model	2	piece
8	SXQ236B0825F60L	Cross Recessed Pan Head Screw, Spring Washer And Plain Washer	12	piece
9	DZ15221245050	Left Lower Door Step Assembly/20	1	piece
10	06.11251.2005	Hexagon Nut With Flange/M7.112.40 M14*1.5-10-MAN183B1	8	piece
11	Q150B0825T1F60	Hexagon Head Bolt	8	piece
12	Q150B1030T1F3	Hexagon Head Bolt	8	piece
13	DZ15221241230	Support Bracket Assembly (Left)/20 Model	1	piece
14	Q402B10	Large Washer (Galvanized)	8	piece
15	Q1811490TF3	Toothed Bolt With Hexagon Flange	4	piece
16	DZ15221242850	Installing Bracket Assembly (Left)	1	piece
17	Q33008T2F60	All Metal Hexagonal Flange Locking	20	piece

Installing Bracket Assembly (Right)



Reference number	Part Number	Part Name	quantity	Unit of measurement
	DZ15221240111	Fixed Base	1	piece
	DZ15221240441	Fixed Plate	1	piece
	DZ15221242861	Bracket	1	piece

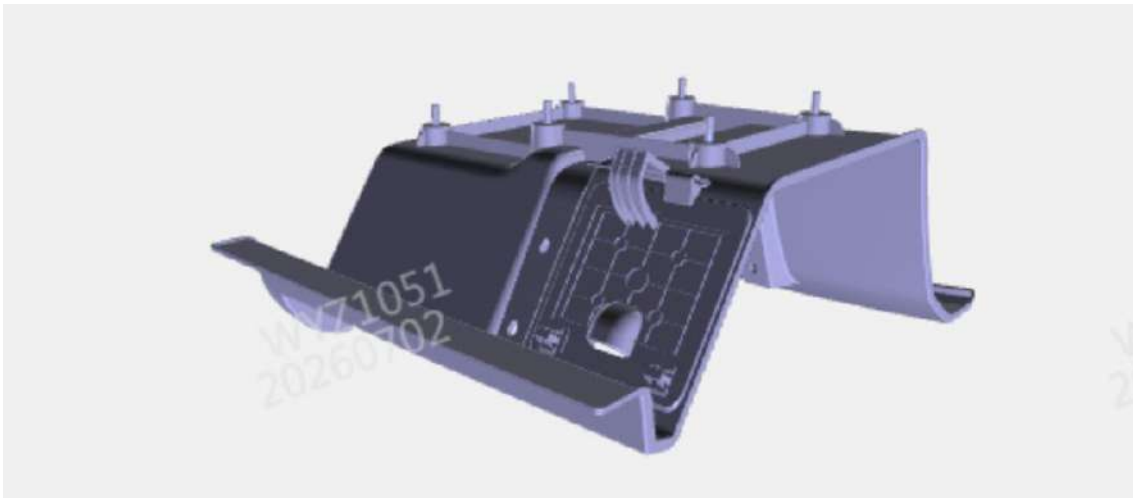
Lower Right Door Step Assembly/20 Model



Reference number	Part Number	Part Name	quantity	Unit of measurement
	DZ15221245016	Right Headlight Repair Hole Cover Plate/Cab Color	1	piece

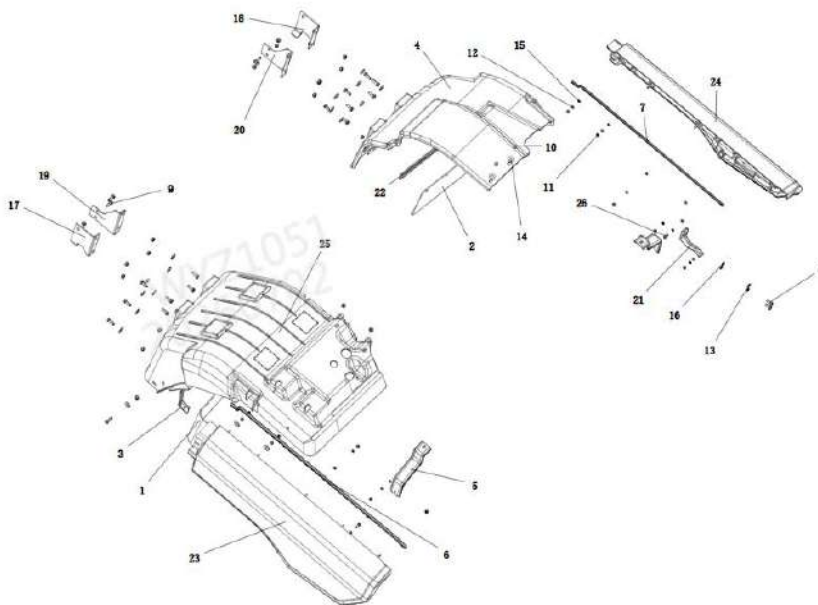
DZ15221245006	Lower Right Door Step/20 Model	1	piece
DZ14251240063	Cotter Pin (Cotter Pin)	1	piece
DZ16251240039	Clamping Spring Plate	2	piece

Left Lower Door Step Assembly/20 Model



Reference number	Part Number	Part Name	quantity	Unit of measurement
	DZ15221245015	Left Headlamp Access Cover	1	piece
	DZ15221245003	Left Lower Door Step/20 Model	1	piece
	DZ14251240063	Cotter Pin (Cotter Pin)	1	piece
	DZ16251240039	Clamping Spring Plate	2	piece

Fender/Cab Part



Reference number	Part Number	Part Name	quantity	Unit of measurement
1	DZ15221230143	Left Mudguard/Cab Section	1	piece

2	DZ15221230144	Right Mudguard/Cab Section	1	piece
3	DZ15221230145	Mud Fender Pressing Bar	1	piece
4	DZ15221232926	Cab Right Front Fender	1	piece
5	DZ15221232935	Fender Support Bracket/M3000 S	2	piece
6	DZ15221232963	Left Front Fender Weatherstrip / 2020 M3000G	1	piece
7	DZ15221232964	Right Front Fender Weatherstrip / 2020 M3000G	1	piece
8	Q150B0820T1F3	Hexagon Head Bolt	2	piece
9	Q150B0825T1F3	Hexagon Head Bolt	10	piece
9	Q150B0825T1F3	Hexagon Head Bolt	10	piece
10	Q33208T2F60	2 Type All Metal Hexagonal Lock Nut	13	piece
10	Q33208T2F60	2 Type All Metal Hexagonal Lock Nut	12	piece
11	Q340B06F60	Type 1 Hex Nut	5	piece
11	Q340B06F60	Type 1 Hex Nut	5	piece
12	Q401B06F60	Flat Washer	7	piece
12	Q401B06F60	Flat Washer	5	piece
13	Q401B08F60	Flat Washer	2	piece
14	Q402B08F60	Large Washer*	11	piece
14	Q402B08F60	Large Washer*	11	piece
15	Q40306	Spring Washer	6	piece
15	Q40306	Spring Washer	6	piece
16	Q40308	Spring Washer 190003931102	2	piece
17	DZ15221230087	Left Front Bracket	1	piece
18	DZ15221230088	Right Front Bracket	1	piece
19	DZ15221230097	Left Rear Bracket	1	piece
20	DZ15221230098	Right Rear Bracket	1	piece
21	DZ15221230099	Angle Plate	1	piece
22	DZ15221230146	Right Fender Pressing Strip	1	piece
23	DZ15221232903	Left Front Fender	1	piece
24	DZ15221232904	Right Front Fender	1	piece
25	DZ15221232925	Cab Left Front Fender	1	piece
26	Q215B0616T1F31	Hexagon Lobular Pan Head Screw	2	piece

Fender

Reference number	Part Number	Part Name	quantity	Unit of measurement
	DZ15221232901	Left Rear Fender	1	piece
	Q1840620T1F31	Hexagon Flange Bolt	10	piece
	Q150B0830T1F3	Hexagon Head Bolt	8	piece
	Q150B0825T1F3	Hexagon Head Bolt	10	piece
	Q402B08F60	Large Washer*	24	piece
	Q1840820T1F31	Hexagon Flange Bolt	2	piece
	DZ15221232902	Right Rear Fender	1	piece
	Q27A4216F31	Hexagon Lobular Pan Head Tapping	8	piece

Q33208T2F60	2 Type All Metal Hexagonal Lock Nut	22	piece
Q401B06F60	Flat Washer	8	piece
Q1840825T1F31	Hexagon Flange Bolt	4	piece
DZ15221233080	Left Rear Fender Bracket	1	piece
06.11251.2005	Hexagon Nut With Flange/M7.112.40 M14*1.5-10-MAN183B1	8	piece
DZ15221233880	Right Rear Bracket Assembly	1	piece
Q18114100TF3	Toothed Bolt With Hexagon Flange	4	piece
DZ15221233850	Left Front Bracket Assy	1	piece
Q1811440TF3	Toothed Bolt With Hexagon Flange	4	piece
DZ15221231240	Right Front Bracket Assembly	1	piece
DZ15221232915	Left Front Overlap Plate	1	piece
DZ15221232916	Right Front Lap Plate	1	piece
DZ14251230251	Lower Splash Prevention	2	piece
81.97445.0208	Clamping Piece	4	piece
81.90490.0641	Hexagon Head Bolt	8	piece
DZ13241230044	Mudguard Curtain Fixing Bracket	2	piece
DZ14251230029	Mud Curtain Circular Pressing Plate	8	piece
DZ14251230145	Mudguard/Anti Splash/Narrow/Shacman	2	piece
DZ15221232911	Splash Proof/Top Left	1	piece
DZ15221232913	Splash Proof/Top Right	1	piece
DZ16251870083	Spring Nut	10	piece
SZ123000023	Circular Press Plate	18	piece

Right Rear Bracket Assembly

Reference number	Part Number	Part Name	quantity	Unit of measurement
	81.96002.0416	Blind Cover	1	piece
	DZ15221232655	Fixed Base	1	piece
	DZ15221232962	Connecting Board/20 Model	1	piece
	DZ15221233841	Right Rear Bracket Tube	1	piece
	DZ96259820242	Oil Pump Bracket	1	piece
	DZ97259820123	Button Bracket	1	piece

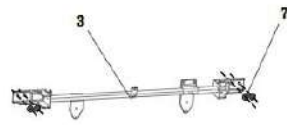
Right Front Bracket Assembly

Reference number	Part Number	Part Name	quantity	Unit of measurement
	DZ15221230266	Fixed Seat/Hole Spacing 100	1	piece
	DZ15221231241	Right Bracket Tube	1	piece
	81.96002.0416	Blind Cover	1	piece

Assembly parts



WYZ1051
20260702

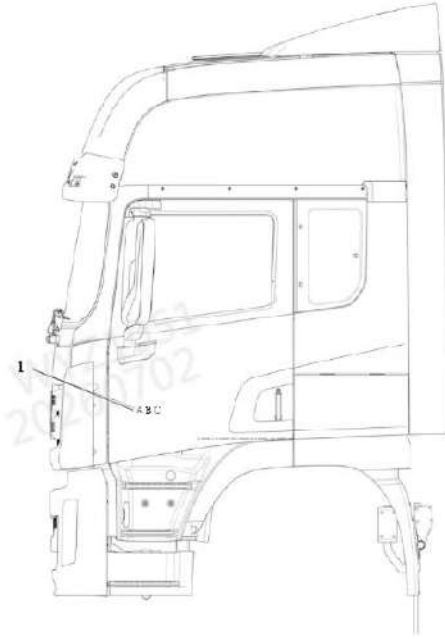


Reference number	Part Number	Part Name	quantity	Unit of measurement
1	06.13189.0108	Reed Nuts/ST4.8-5-MAN183-B1	1	piece
1	06.13189.0108	Reed Nuts/ST4.8-5-MAN183-B1	1	piece
2	DZ15221970014	Blanking Cap	2	piece
3	DZ15221970116	Front Crossbeam Assembly	1	piece
4	DZ15221970023	Left Outer Decorative Strip	1	piece
5	DZ15221970024	Right Outer Decorative Strip	1	piece
6	Q2714816F60	Cross Recessed Countersunk Head	1	piece
6	Q2714816F60	Cross Recessed Countersunk Head	1	piece
7	Q33214T13F3	2 Type All Metal Hexagonal Lock	4	piece

Front Crossbeam Assembly

Reference number	Part Number	Part Name	quantity	Unit of measurement
	DZ15221970043	Front Crossbeam Left Support	1	piece
	DZ15221970041	Front Cross Beam	1	piece
	DZ15221970044	Front Crossbeam Right Support	1	piece
	DZ15221431340	Elevation Valve Bracket	2	piece
	DZ15221970045	Strengthened Rib	2	piece
	81.97488.2759	2-Hole Connecting Plate	1	piece

Vehicle Type Letter

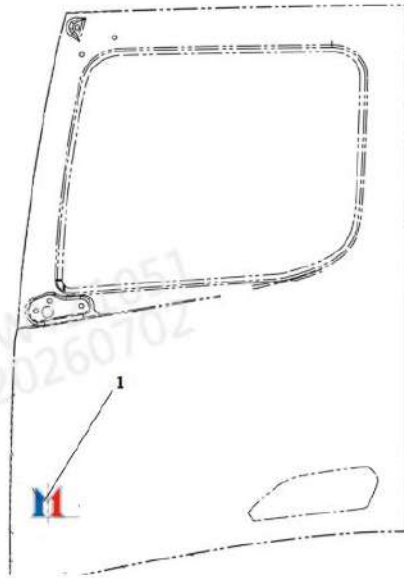


Reference number	Part Number	Part Name	quantity	Unit of measurement
1	DZ11241930460	Vehicle Type Letter 460	2	piece

Vehicle Type Letter 460

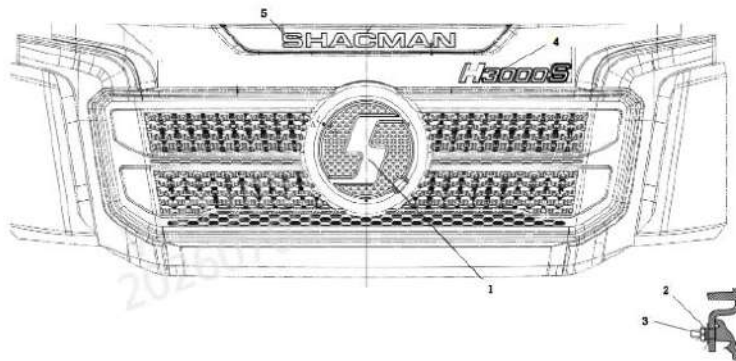
Reference number	Part Number	Part Name	quantity	Unit of measurement
	DZ1600930054	Vehicle Type Letter/4	1	piece
	DZ1600930056	Model Letter 6	1	piece
	DZ1600930049	Vehicle Type Letter/0	1	piece

M badge Cummins



Reference number	Part Number	Part Name	quantity	Unit of measurement
1	DZ14251953235	M Sign - Cummins	1	piece

Decorative signs and reflective markings



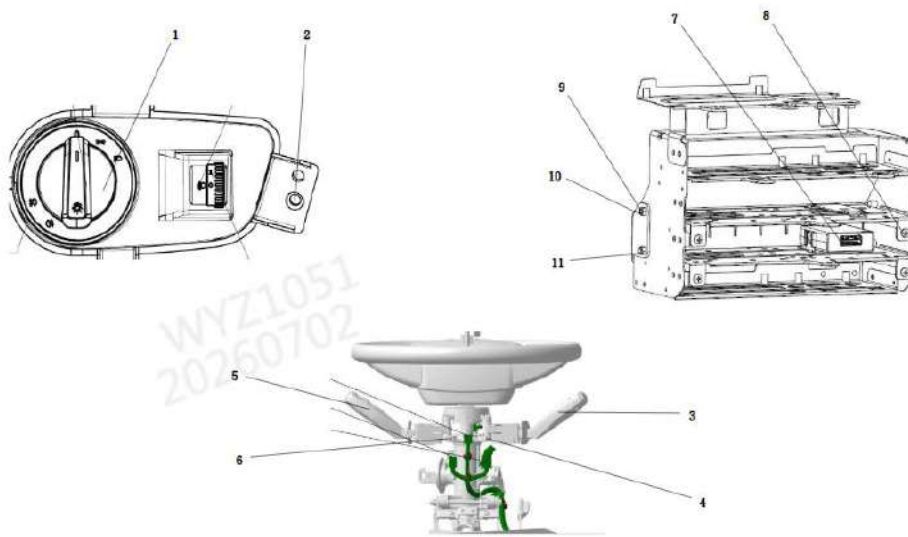
Reference number	Part Number	Part Name	quantity	Unit of measurement
	DZ14251950093	Shacman Logo	1	piece
	Q40305	Spring Washer	3	piece
	Q402B05	Large Washer (Galvanized)	3	piece
	Q340B05	Type 1 Hex Nut	3	piece
	DZ15221952009	H3000S Label	1	piece
	DZ15221952003	Shacman Lable	1	piece

Body Electrical

Cab Electrical Accessories

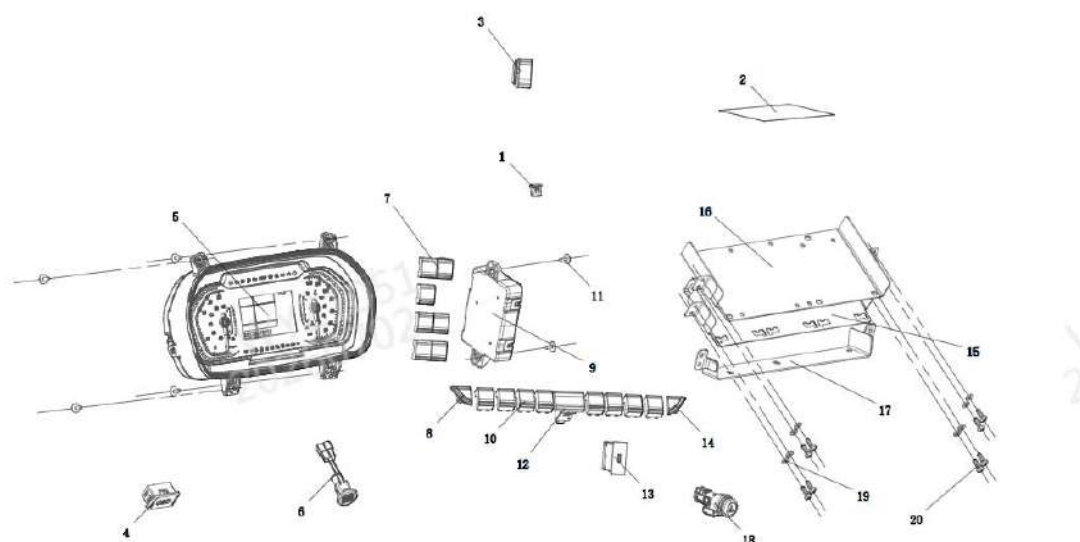
Reference number	Part Number	Part Name	quantity	Unit of measurement
	DZ95189586508	Door And Window Control Unit (With Central Control Key)	1	piece
	Q340B08T2F60	Type 1 Hex Nut	2	piece
	Q41208	External Teeth Serrated Lock Washer	2	piece
	Q40308F60	Spring Washer*	2	piece
	DZ96189585118	Central Control Key - Remote Control Module	2	piece
	DZ98149584682	Main Door Control Switch (Central Control)	1	piece
	DZ98149584699	Auxiliary Door Control Switch	1	piece
	DZ96189721374	Reading Light (G)	2	piece
	DZ96189721373	Indoor Roof Light (G)	2	piece
	Q150B0616	Bolt	4	piece
	DZ97189721340	Right Side Steering Light	1	piece
	DZ97189584901	Electric Horn Conversion Switch	1	piece
	DZ97189721310	Left Step Lamp	1	piece
	DZ97189721320	Right Step Lamp	1	piece
	DZ96189586161	Speaker	2	piece
	Q2714816	Cross Recessed Countersunk Head	8	piece
	DZ97189721330	Left Turn Signal Lamp	1	piece
	Q33006	All Metal Hexagonal Flange Locking Nut-Galvanized	2	piece
	Q33006	All Metal Hexagonal Flange Locking Nut-Galvanized	2	piece
	DZ95189711410	Electric Horn (D1229D)	1	piece
	Q150B0820T1F3	Hexagon Head Bolt	1	piece
	Q401B08	Flat Washer	1	piece
	Q33208T2F3	2 Type All Metal Hexagonal Lock Nut	1	piece
	DZ96259776790	Floor Wiring Harness (MA/Turn Signals/Ventilated and Heated Seats/FLR2X-B)	1	piece
	DZ96259772947	Main Door Wiring Harness (MA/BJH1/Halogen Headlights/Logo Lights/FLR2X-B) [JP]	1	piece
	Q340B06F60	Type 1 Hex Nut	4	piece
	Q401B06	Flat Washer	4	piece
	DZ96189776837	Passenger-Side Door Wiring Harness (MA/BJH1/Halogen Headlights/FLR2X-	1	piece
	DZ97189777099	Front Wall Firewall Assembly	1	piece
	Q1840835T1F31	Hexagon Flange Bolt	8	piece
	DZ97189711310	Air Pressure Signal Switch (Hand	1	piece
	DZ95189711310	Air Pressure Signal Switch (Braking) - Vpm	1	piece
	DZ93189777170	Sheet Metal Buckle Tie	2	piece
	DZ93189777161	Ordinary Narrow Cable Tie	4	piece
	DZ93189777031	Fixed Seat Fastening Strap	2	piece
	DZ9100770423	Fixed Clamp	4	piece
	DZ93189777033	Fastener With Spacer Ring (7.6 *	2	piece
	DZ96259189707	Wire Harness Guide Slot - M3000/Front Wall/Right Side	1	piece

Cab electrical appliances



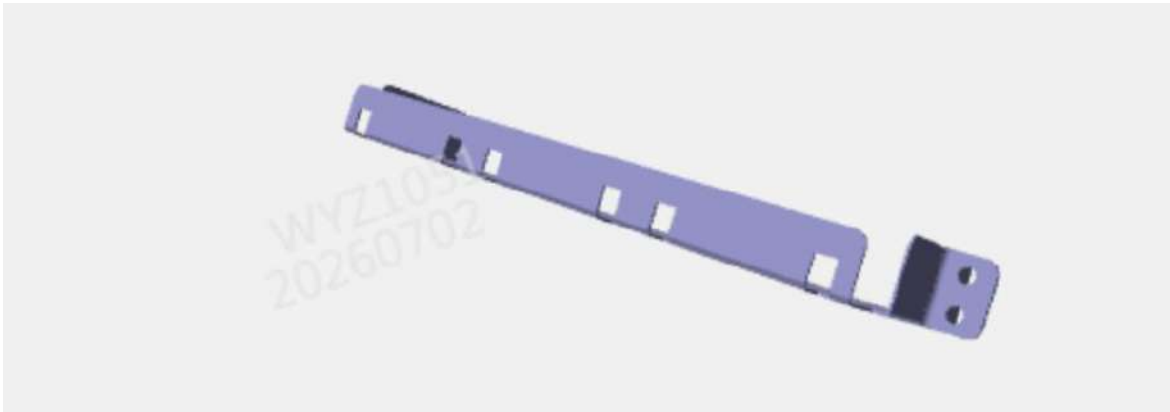
Reference number	Part Number	Part Name	quantity	Unit of measurement
	DZ97189584580	Light Combination Switch	1	piece
	Q2714216	Cross Recessed Countersunk Head	3	piece
	DZ96189584585	Right Combination Switch	1	piece
	Q2140616	Cross Recessed Pan Head Screw	2	piece
	DZ98149584695	Left Combination Switch (Light,	1	piece
	Q2140616	Cross Recessed Pan Head Screw	2	piece

Cab Basic Electrical Appliances



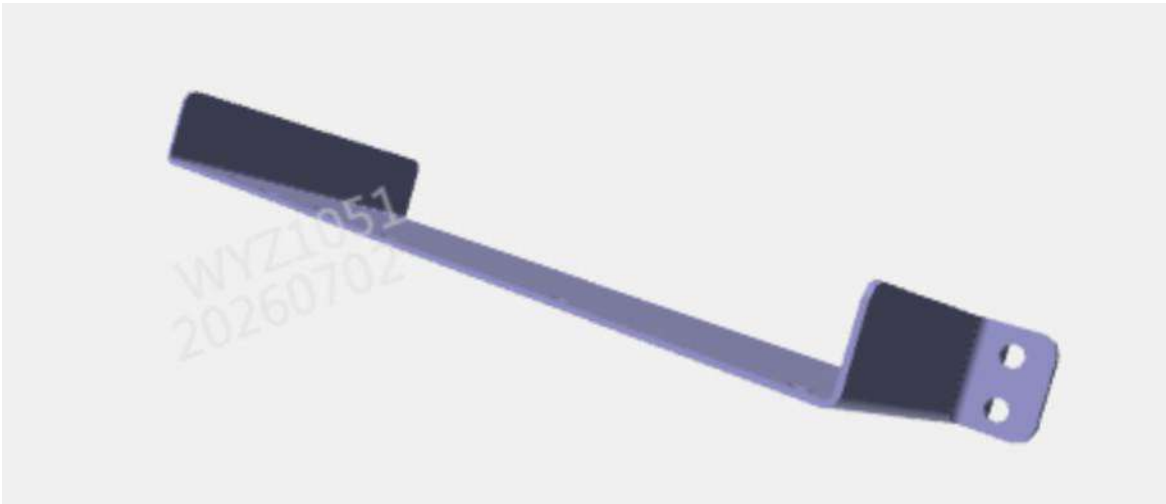
Reference number	Part Number	Part Name	quantity	Unit of measurement
	Q221B4816F60	Cross Recessed Pan Head Tapping Screw And Flat Washer Assembly	4	piece
	DZ96189585329	A/C Controller	1	piece
	Q221B4816F60	Cross Recessed Pan Head Tapping Screw And Flat Washer Assembly	2	piece
	Q2140616	Cross Recessed Pan Head Screw	4	piece
	Q401B06	Flat Washer	4	piece
	Q2140616	Cross Recessed Pan Head Screw	4	piece
	Q401B06	Flat Washer	4	piece
1	DZ15221841233	Sunlight Sensor Blanking Cap	1	piece
2	DZ97189580149	Central Electrical Device Board Warning Sign (X5000/M3000S)	1	piece
3	DZ96189584514	Roof Light Rocker Switch	1	piece
4	DZ95189777120	Obd Diagnostic Interface Fixed Card Cover Assembly	1	piece
5	DZ98189584152	Combination Instrument_ 5-Inch Color TFT (L5000)	1	piece
6	DZ97189585732	Indoor Temperature Sensor	1	piece
7	DZ97189584523	Wheel Axle Differential Device	1	piece
8	DZ97189584502	Switch Plug Cover	1	piece
10	DZ97189584510	Key Switch Blanking Cap	14	piece
12	DZ97189584504	Emergency Alarm Switch	1	piece
13	DZ9L149776008	Usb Power Module (Cab4)	1	piece
14	DZ97189584503	Switch Plug Cover	1	piece
15	DZ96189585174	20M3000 Controller Bracket Assembly	1	piece
16	DZ96189585173	20M3000 Controller Bracket Assembly	1	piece
17	DZ96189585175	20M3000 Controller Bracket Assembly	1	piece
18	DZ97189586616	Cigarette Lighter Assembly (24V)	1	piece

20M3000 Controller Bracket Assembly



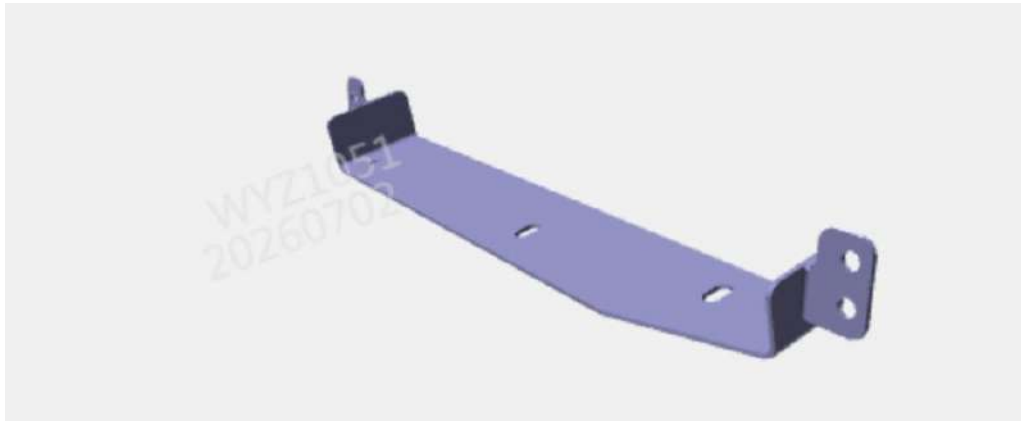
Reference number	Part Number	Part Name	quantity	Unit of measurement
	DZ96189585187	Controller Bracket - Right Mounting Bracket (20M3000)	1	piece
	DZ96189585184	20M3000 Controller Bracket	1	piece
	DZ96189585186	Controller Bracket - Left Mounting Bracket (20M3000)	1	piece

20M3000 Controller Bracket Assembly



Reference number	Part Number	Part Name	quantity	Unit of measurement
	DZ96189585186	Controller Bracket - Left Mounting Bracket (20M3000)	1	piece
	DZ96189585187	Controller Bracket - Right Mounting Bracket (20M3000)	1	piece
	DZ96189585183	20M3000 Controller Bracket	1	piece

20M3000 Controller Bracket Assembly



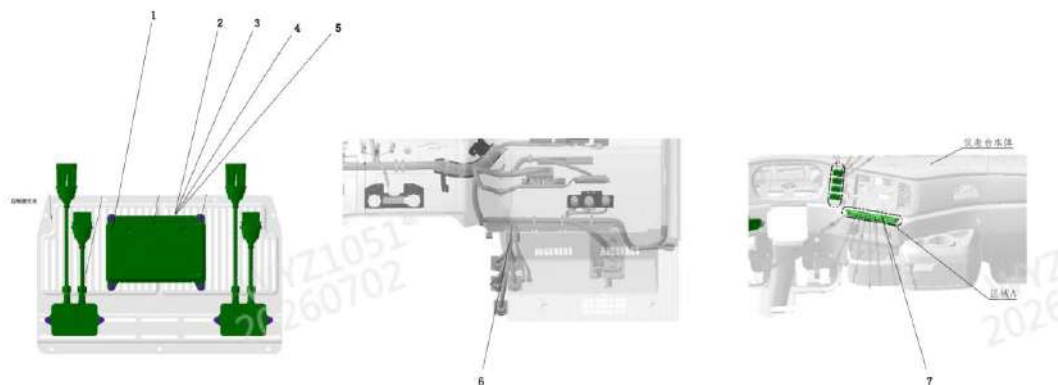
Reference number	Part Number	Part Name	quantity	Unit of measurement
	DZ96189585188	Controller Bracket V Left Mounting Bracket (20M3000)	1	piece
	DZ96189585185	20M3000 Controller Bracket	1	piece
	DZ96189585189	Controller Bracket V Right Mounting Bracket (20M3000)	1	piece

Cigarette Lighter Assembly (24V)



Reference number	Part Number	Part Name	quantity	Unit of measurement
	DZ97189586612	Cigarette Lighter (24V)	1	piece
	DZ97189586613	Cigarette Lighter Holder	1	piece
	DZ97189586614	Cigarette Lighter Light Ring (24V)	1	piece

ABS Electrical Assembly

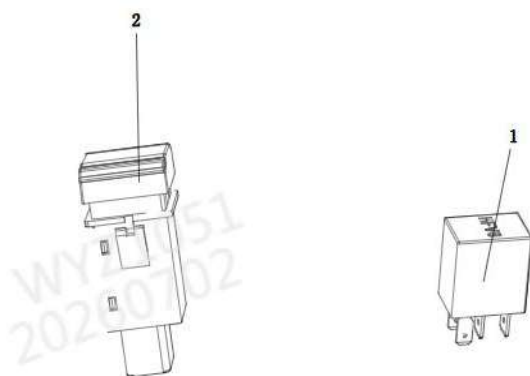


Reference number	Part Number	Part Name	quantity	Unit of measurement
	DZ95189715453	ABS/ASR Controller	1	piece
	Q2140616	Cross Recessed Pan Head Screw	3	piece
	Q340B06	Type 1 Hex Nut	3	piece
	Q40306	Spring Washer	3	piece
	Q401B06	Flat Washer	3	piece
	DZ96259770184	ABS Instrument Panel Auxiliary Wiring Harness (MA/4ABS/HSA/FLR2X-	1	piece
	DZ97189584508	Hill Start Assist Switch	1	piece

PTO Switch

Reference number	Part Number	Part Name	quantity	Unit of measurement
1	DZ97189584524	PTO Switch	1	piece

Rear Work Light Switch

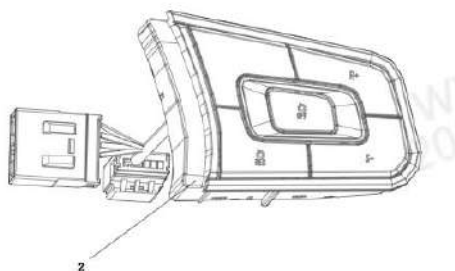
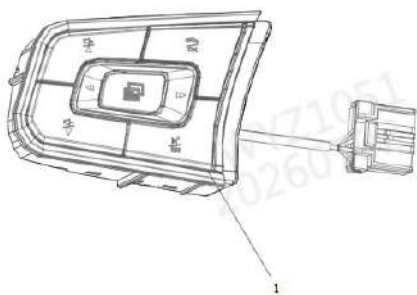


Reference number	Part Number	Part Name	quantity	Unit of measurement
1	DZ97189584371	Relay (20A/MINI)	1	piece
2	DZ97189584509	Rear Work Light Switch	1	piece

Electric Flip Switch

Reference number	Part Number	Part Name	quantity	Unit of measurement
	DZ97189584515	Electric Switch/Cab Turnover	1	piece
	AZ9100583052	30A Power Relay	1	piece

Steering Wheel Button



Reference number	Part Number	Part Name	quantity	Unit of measurement
1	DZ97189584587	Left Steering Wheel Switch (Radio Player, LIN With Cruise Control)	1	piece
2	DZ97189584586	Right Steering Wheel Switch (Cruise Control, Equipped With Radio And Cassette Player)	1	piece

Cab electrical appliances

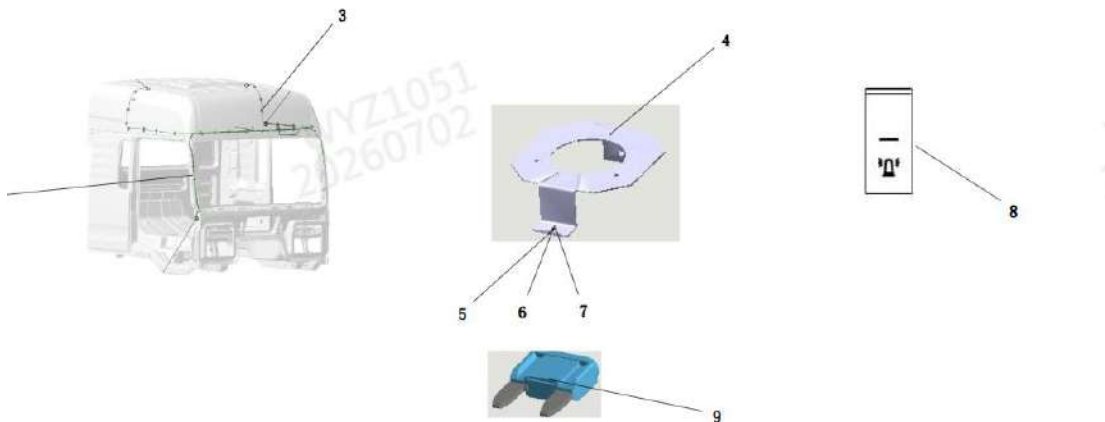
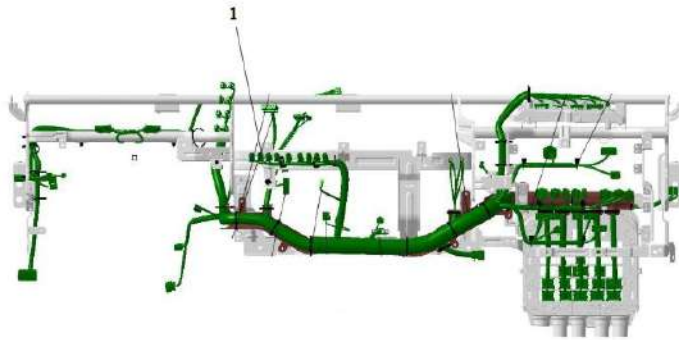


WYZ1051
20260702

W
20

Reference number	Part Number	Part Name	quantity	Unit of measurement
	DZ97189586102	Integrated Display Screen For Radio And AC	1	piece
	DZ97189586157	DAB antenna	1	piece

Low-Pressure Warning Light



Reference number	Part Number	Part Name	quantity	Unit of measurement
	DZ96189776846	Warning Light Cab Auxiliary Wiring Harness (MA/BJH1/FLR2X-B)	1	piece
	DZ96189776849	Warning Light Adapter Wiring Harness (LED/Waterproof/FLR2X-B)	1	piece
	DZ96189776845	Warning Light Roof Wiring Harness (Single Light/LED/BH/FLR2X-B)	1	piece

DZ95189581577	Warning Light Mounting Bracket	1	piece
Q150B0618	Hexagon Head Bolt (Galvanized)	2	piece
Q401B08	Flat Washer	2	piece
Q2714816	Cross Recessed Countersunk Head	3	piece
DZ97189584427	Warning Light Switch	1	piece
DZ96189581015	5A Fuse	1	piece

Wiring Harness And Additional Electrical

Engine Harness Accessory Assembly

Reference number	Part Number	Part Name	quantity	Unit of measurement
	DZ97189777040	Grounding Terminal (Installation M14, Wiring M10)	2	piece
	SXQ33010T2F3	All Metal Hexagonal Flange Locking	2	piece
	Q33210T2F3	2 Type All Metal Hexagonal Lock Nut	3	piece
	DZ96189777088	Ground Bolt Protective Sleeve	2	piece
	DZ93189777161	Ordinary Narrow Cable Tie	15	piece
	DZ93189777163	Ordinary Wide Cable Tie	15	piece
	DZ93189777162	High Temperature Resistant Cable Tie(225Mm)	2	piece
	DZ9L149778024	T-Shaped Bracket (Narrow, Upturned, Installed With M10)	1	piece
	DZ93189550220	Fixed Clamp (5/8 ")	2	piece
	Q1840612T1F31	Hexagon Flange Bolt	2	piece
	Q340B06F60	Type 1 Hex Nut	2	piece

Chassis System Wiring Harness Assembly

Reference number	Part Number	Part Name	quantity	Unit of measurement
	DZ96259775796	Chassis Wiring Harness (MA/Tractor/3800/4×2/1050/4ABS/HAS /Left-Side Fuel Tank 1600/Standard Center-Mounted Air Filter/Side Marker Lights/License Plate Lights/Crossmember 1850/N3/ZZ) [JP]	1	piece
	DZ97189716021	Electromagnetic Valve (Normally	1	piece
	DZ95189711102	Hexagon Head Bolt (M8×210)	2	piece
	Q401B08	Flat Washer	2	piece

	Q72312T5F	Seal Gasket 190003098012	2	piece
	Q340B08T2F60	Type 1 Hex Nut	2	piece
	DZ97189711012	Solenoid Valve Bracket	1	piece
	Q150B0810	Hexagonal Head Bolt	2	piece
	Q401B08	Flat Washer	4	piece
	Q33208T2F3	2 Type All Metal Hexagonal Lock Nut	4	piece
	81.96502.0358	Sealing Sleeve	1	piece
	81.25432.6121	7-Hole 24N Type Trailer Socket (With Cable)	1	piece
	Q150B0820T1F3	Hexagon Head Bolt	2	piece
	Q401B08	Flat Washer	2	piece
	DZ95189583020	ABS Solenoid Valve (WABCO 472 195 055 0)	5	piece
	Q1840880	Hexagon Flange Bolt	6	piece
	Q150B08140	Hexagon Head Bolt (Galvanized)	2	piece
	Q40308F60	Spring Washer*	8	piece
	Q401B08	Flat Washer	8	piece
	Q340B08T2F60	Type 1 Hex Nut	8	piece
	DZ95189711230	Abs Trailer Socket (With Cable).	1	piece
	Q2140820F60	Cross Recessed Pan Head Screw	2	piece
	Q40308F60	Spring Washer*	10	piece
	Q340B08T2F60	Type 1 Hex Nut	10	piece
	DZ95189583036	Pressure Sensor	1	piece
	DZ9100580217	ASR Solenoid Valve	3	piece
	81.25260.6101	Side Marker Light (With 1400Mm	2	piece
	Q402B05	Large Washer (Galvanized)	4	piece
	Q40305	Spring Washer	4	piece
	Q340B05	Type 1 Hex Nut	4	piece
	DZ97189721510	Side Marker Light Mounting Bracket (Side Guard)	2	piece
	Q401B08	Flat Washer	4	piece
	DZ95259902318	Anti-Rotor Bolt M8	4	piece
	Q40308F60	Spring Washer*	4	piece
	Q340B08T2F60	Type 1 Hex Nut	4	piece
	DZ96189777074	Fender Harness Bracket	4	piece
	DZ95189711511	Side Marker Light Bracket Base	2	piece

Chassis Wiring Harness Accessories

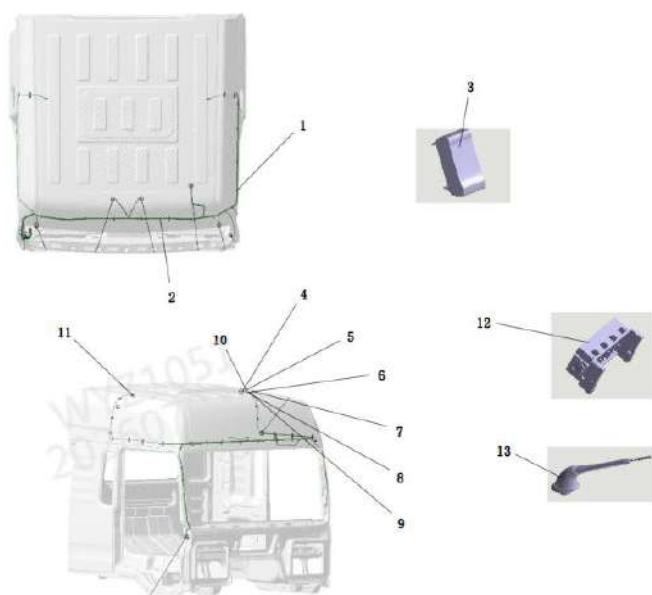
Reference number	Part Number	Part Name	quantity	Unit of measurement
	DZ95189777012	Threading Sheath (Φ 60)	3	piece
	DZ96189777069	Thread Sheath (60 × 120)	2	piece
	DZ96189777086	Threading Sheath (Φ 36)	5	piece
	DZ97189777130	Threading Sheath (Φ 50 Wall Thickness 5-13)	5	piece
	DZ93189777161	Ordinary Narrow Cable Tie	50	piece
	DZ93189777163	Ordinary Wide Cable Tie	50	piece
	DZ93189777168	Septal Cable Tie	6	piece
	DZ93189777167	Ribbon/M7	4	piece

DZ93189777164	Two Way Tie With Isolation Buckle	5	piece
DZ9X259126120	Bidirectional Isolation Tie	6	piece
DZ93189777165	Harness Bracket	6	piece
DZ96189777002	L-Shaped Harness Flip Beam Bracket	2	piece
DZ96259189801	Wire Harness Bracket Assembly - Front Suspension Mount	1	piece
DZ91189360091	Lintel Protective Strip	2	piece
SZ904000003	Protective Strip	1.5	米
DZ97189777144	Pet Desa Cuff Tape (67Mm × 200Mm)	2	piece
DZ97189777095	Front Wall Firewall Outlet Hole	1	piece
DZ96189777083	Threading Sheath	1	piece
DZ96189777084	Threading Sheath	1	piece
DZ93189189101	L Bracket - Pipeline Common (With Cladding)	4	piece
DZ97189777058	Pad	1	piece
DZ97189777163	Protective Strip (Matching Thickness 16Mm).	0.25	米
DZ9M189189100	L-Shaped Bracket - Plastic	6	piece
Q1811435TF3	Hexagon Flange Facing Toothed Bolt	6	piece
06. 11251. 2005	Hexagon Nut With Flange/M7. 112. 40 M14*1.5-10-MAN183B1	6	piece
DZ9L149775041	Wire Harness Fixing Bracket	1	piece
DZ9L149778229	Wire Harness Bracket (Engine)	1	piece
DZ9X259189300	Frame Front Harness Protection	4	piece
DZ97189189726	Upright Beam Bracket - X5000P/Rear Overhang	1	piece
DZ91189553108	Hydraulic Hose Downward-Folding Beam Bracket	1	piece

Wire Harness Bracket Assembly - Front Suspension Mount

Reference number	Part Number	Part Name	quantity	Unit of measurement
	DZ96259189710	Wire Harness Bracket - Front Suspension Mount	1	piece
	DZ96259189712	Wire Harness Guide Groove - Front Suspension Support	1	piece

Left Headliner Wiring Harness



Reference number	Part Number	Part Name	quantity	Unit of measurement
	DZ96259772780	Left Roof Lining Wiring Harness (MA/BJH1/High Roof/Tianxingjian/FLR2X-B)	1	piece
	DZ96259772146	Sun Visor Wiring Harness (MA/Contour Lights/Single-	1	piece
	DZ98149584606	Switch Board Cover	2	piece
	DZ97189721210	Left Side Marker Light	1	piece
	Q401B06	Flat Washer	2	piece
	Q340B06F60	Type 1 Hex Nut	2	piece
	Q40306F60	Spring Washer*	2	piece
	Q401B06	Flat Washer	2	piece
	Q340B06F60	Type 1 Hex Nut	2	piece
	Q40306F60	Spring Washer*	2	piece
	DZ97189721220	Right Side Marker Light	1	piece
	DZ97189584530	Rocker Switch Four Sets Mounting	1	piece
	DZ96189772767	Antenna Assembly	1	piece

Dashboard Wiring Harness

Reference number	Part Number	Part Name	quantity	Unit of measurement
	DZ96259771896	Dashboard Wiring Harness Assembly (MA/BJH1/ABS/CM2880/[AMT]/FLR2X-B)	1	piece
	DZ96259580123	Fuse Box/Relay Instruction Board	1	piece
	DZ97189584264	Relay (20A/Mini/Conversion Type)	2	piece
	DZ97189584371	Relay (20A/MINI)	18	piece

DZ96189584338	Daytime Running Light	1	piece
DZ96189584312	Wiper Relay	1	piece
DZ96189584309	Flash Relay	1	piece
DZ96259189737	Trunking - Behind Firewall/M3000	1	piece
81.97488.0214	Two Hole Connecting Piece	2	piece
Q1840616T1F31	Hexagon Flange Bolt	4	piece
Q41206	External Teeth Serrated Lock Washer	4	piece
Q33006	All Metal Hexagonal Flange Locking Nut-Galvanized	4	piece
DZ93189777161	Ordinary Narrow Cable Tie	1	piece
DZ93189777163	Ordinary Wide Cable Tie	1	piece
DZ97189584410	Low Speed Mode (AMT L Gear)	1	piece

Powertrain and Chassis Wiring Harness Assemblies

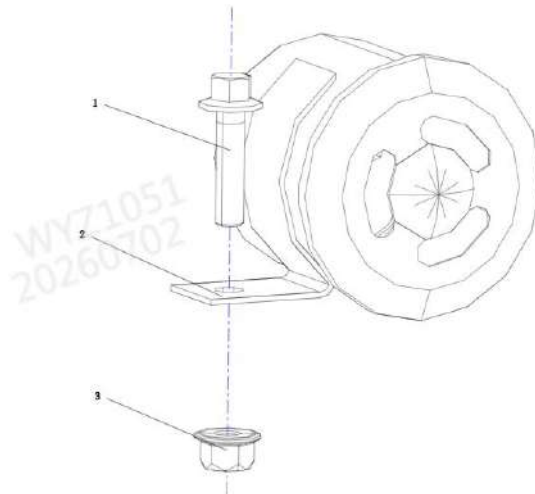
Reference number	Part Number	Part Name	quantity	Unit of measurement
		Engine Line		
	DZ96189778880	(MA/BJH1/M10E50/CM2880/XP Right 900/NM Right 2075/Battery Right 1500/Filter Left 450/Cross 1850/No	1	piece
	DZ93189774826	Positive Cable (ISM/Starter M12/Main Switch Right Angle Terminal M10/50mm2/2600mm)	1	piece
	DZ97259770188	Battery Connection Wire/H40_H41/50mm2/160mm	1	piece
	DZ93189773814	Connecting Cable 70 × 220-10	1	piece
	DZ93189776747	Battery Negative Electrode To Frame Outer Grounding Cable (50Mm2/65Cm)	1	piece
	DZ93189776728	Transmission To Frame Inner Grounding Cable (Wp/50Mm2/35Cm)	1	piece
	DZ97189774170	Chassis Electrical Box Connecting	1	piece
	DZ93189712214	Five-way fuse box	1	piece
	Q1840616T1F31	Hexagon Flange Bolt	2	piece
	DZ95189711725	Bracket	1	piece
	Q1840816T1F31	Hexagon Flange Bolt	2	piece
	Q33008T2F60	All Metal Hexagonal Flange Locking	2	piece
	DZ96189774228	Vehicle Speed Sensor Cable/2900	1	piece
	121300050086	Lead Sealing	2	piece
	190000810930	Lead Sealing Wire	0.4	米
	DZ95189711002	Environmental Temperature Sensor	1	piece
	Q351B14T15F3	Hexagon Thin Nut	1	piece
	DZ96189777002	L-Shaped Harness Flip Beam Bracket	1	piece

Five-way fuse box



Reference number	Part Number	Part Name	quantity	Unit of measurement
	DZ93189712134	Fuse	1	piece
	DZ93189712118	Electrical Box Body	1	piece
	DZ93189712125	Fuse/60A	1	piece
	DZ93189712128	Fuse/30A	1	piece
	DZ93189712135	Fuse/100A	1	piece

Reverse peak sound

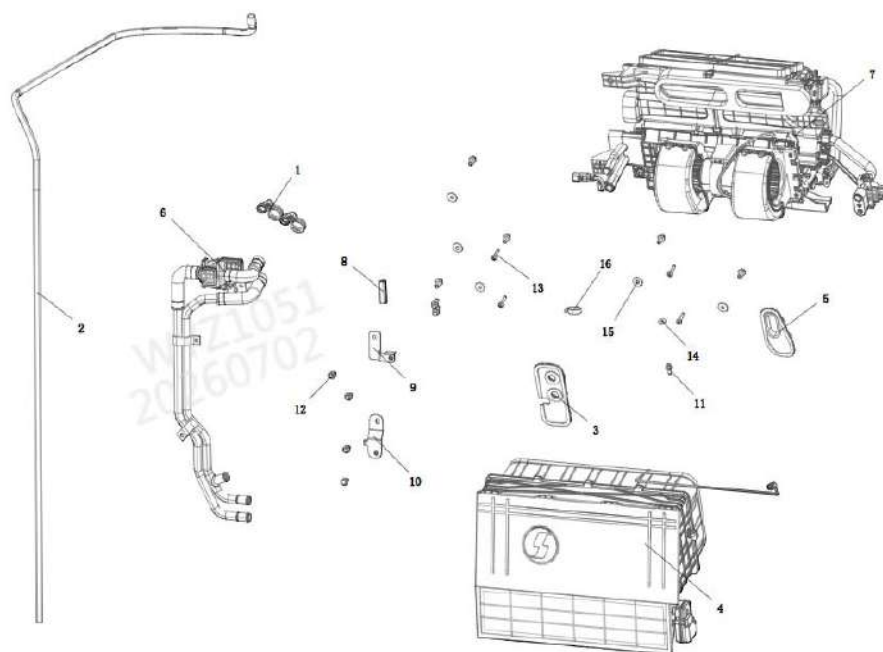


Reference number	Part Number	Part Name	quantity	Unit of measurement
1	Q1840625T1F31	Hexagon Flange Bolt	1	piece
2	DZ9100580050	Reverse Buzzer	1	piece
3	Q33006T2F60	All Metal Hexagonal Flange Locking	1	piece

Additional Wiring Harness for the Chassis

Reference number	Part Number	Part Name	quantity	Unit of measurement
	DZ96259775797	Chassis with Additional Integrated Wiring Harness (MA/4×2/Power-Folding Mirrors/Front Disc Brakes/Integrated APU/Parking PTO/FAST 2nd Gen AMT PTO [No VCU]/Non-Dump Truck/Crossmember	1	piece
	DZ97189716021	Electromagnetic Valve (Normally	1	piece
	SZ982000745	Stud (M8*350)	2	piece
	DZ91189719001	Hexagon Head Bolt (M8*260)	2	piece
	DZ95189711102	Hexagon Head Bolt (M8×210)	2	piece
	DZ95189762718	Stud (M8×300)	2	piece

Air Conditioning And Heating A/C Cab Components



Reference number	Part Number	Part Name	quantity	Unit of measurement
1	DZ13241848913	Elastic Clamp 28	2	piece
2	DZ15221841113	A/C Draining Pipe	1	piece
3	DZ15221841217	AC And Heating Pipeline Sealing Gasket (M3000/Water Valve External)	1	piece
4	DZ15221841910	Fan Outer Cover Assembly	1	piece

5	DZ15221842002	A/C Refrigerant Pipeline Sealing	1	piece
6	DZ15221842140	Heating Component (M3000S/Front Wall/Water Valve External)	1	piece
7	DZ15221842326	AC Body Assembly (M3000S/Water Valve External)	1	piece
8	DZ15221842900	Isolation Strip (M3000/Water Valve External)	1	piece
9	DZ15221848954	Heating Pipeline Bracket (M3000/Front Wall)	1	piece
10	DZ96259189706	AC Pipeline Bracket - Front Wall	1	piece
11	Q1840616T1F31	Hexagon Flange Bolt	1	piece
12	Q1840816T1F31	Hexagon Flange Bolt	5	piece
12	Q1840816T1F31	Hexagon Flange Bolt	6	piece
13	Q2140630F60	Cross Recessed Pan Head Screw	4	piece
14	Q402B06	Large Washer (Galvanized)	1	piece
15	Q402B08	Large Washer (Galvanized)	5	piece
16	Q67527	A-Type Worm Drive Hose Hoop	1	piece

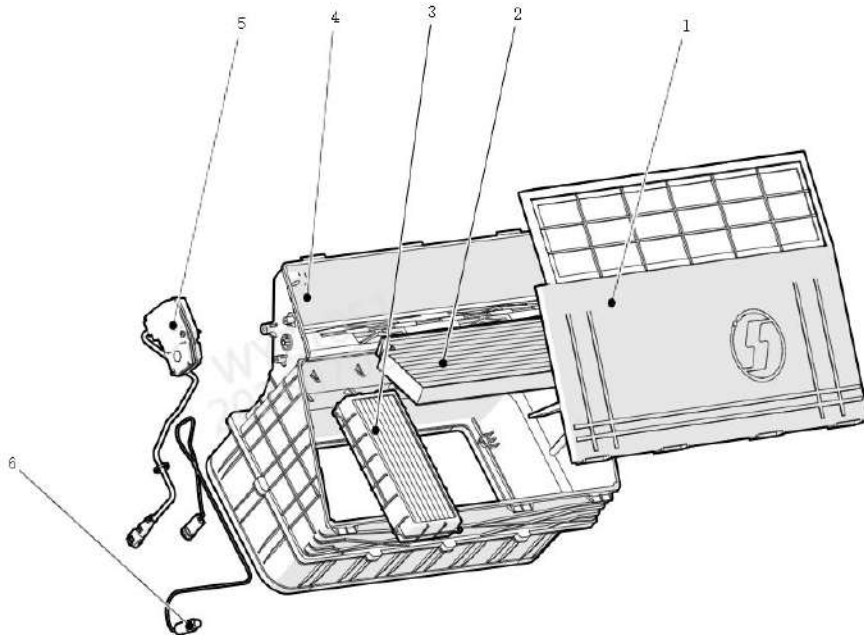
Fan Outer Cover Assembly



Reference number	Part Number	Part Name	quantity	Unit of measurement
	4010758-	4010758/Fan Housing Assembly (M3000/20 Model/External Sensor)	1	
	DZ15221841910	Fan Outer Cover Housing Assembly	1	piece
	DZ15221841317	AC Filter Assembly (M3000/20 Model)	1	piece

DZ15221841318	AC Internal Circulation Filter Assembly (M3000/20 Model)	1	piece
DZ15221841907	Fan Outer Cover Plate	1	piece
DZ15221841234	Outdoor Temperature Sensor	1	piece

4010758/Fan Housing Assembly (M3000/20 Model/External Sensor)



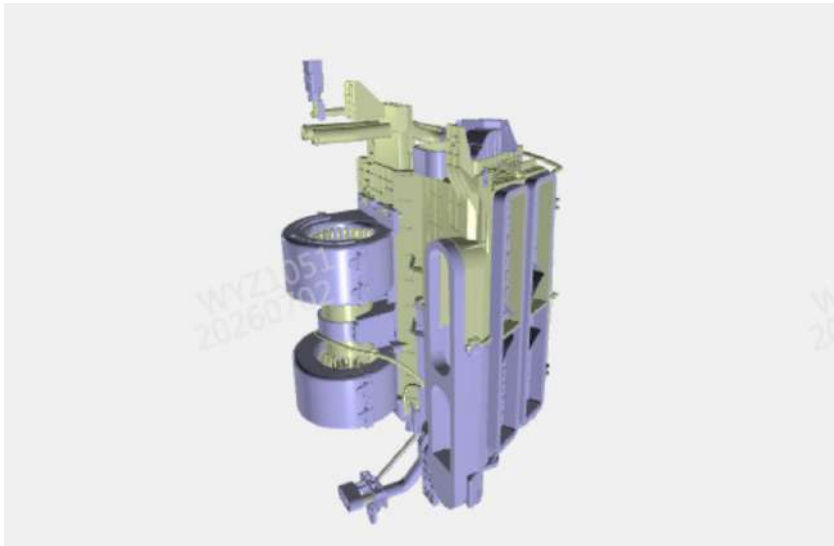
Reference number	Part Number	Part Name	quantity	Unit of measurement
	DZ15221841214	Internal and External Circulation Actuator (M3000/12V/20 Model)	1	piece
	DZ15221841234	Outdoor Temperature Sensor	1	piece
	DZ15221841317	AC Filter Assembly (M3000/20 Model)	1	piece
	DZ15221841318	AC Internal Circulation Filter Assembly (M3000/20 Model)	1	piece
	DZ15221841907	Fan Outer Cover Plate	1	piece
	DZ15221841910-1	DZ15221841910/	1	

Heating Component (M3000S/Front Wall/Water Valve External)



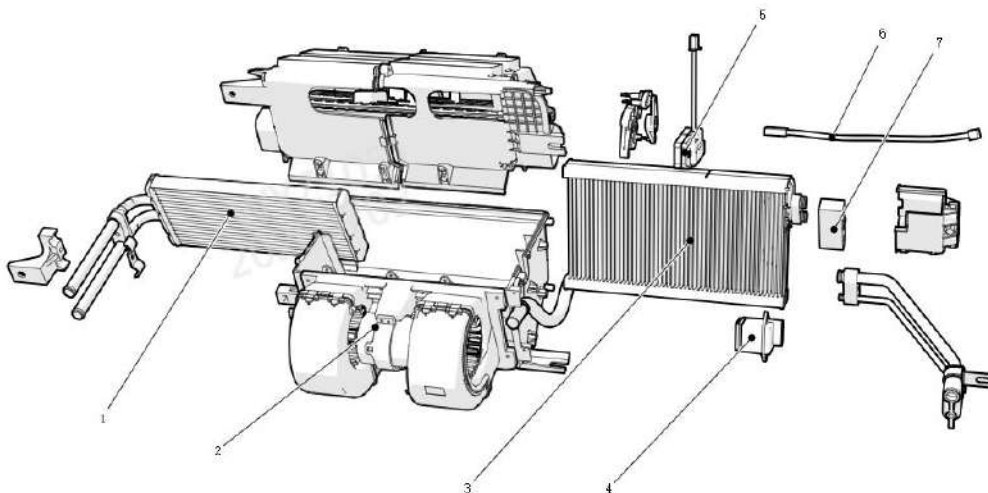
Reference number	Part Number	Part Name	quantity	Unit of measurement
	DZ15221842131	Heating Aluminum Pipe Assembly (M3000/Front Wall/Firewall/Water Valve External)	1	piece
	DZ15221841224	Electric Heating Water Valve (M3000S/12V)	1	piece
	DZ15221842638	Heating Formed Rubber Hose 1	1	piece
	DZ15221842639	Heating Formed Rubber Hose 2	1	piece
	DZ15221842640	Heating Formed Rubber Hose 3	1	piece
	DZ13241848913	Elastic Clamp 28	4	piece
	DZ15221848955	Warm Air Water Valve Bracket (M3000/Front Wall)	1	piece
	DZ93189777036	Fixed Seat Fastening Strap	1	piece
	Q2714295	Cross Recessed Countersunk Head	4	piece

AC Body Assembly (M3000S/Water Valve External)



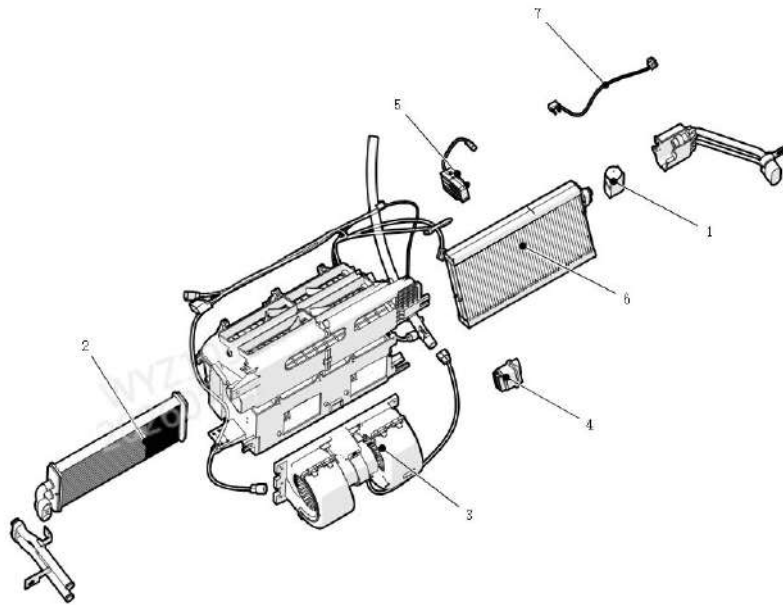
Reference number	Part Number	Part Name	quantity	Unit of measurement
	4010106-	4010106/Air Conditioning Unit		
	DZ15221842326	Assembly (M3000S/External Water	1	
	4010758-	4010758/Air Conditioning Unit		
	DZ15221842326	Assembly (M3000S/External Water	1	

4010106/Air Conditioner Unit Assembly (M3000S/External Water Valve)



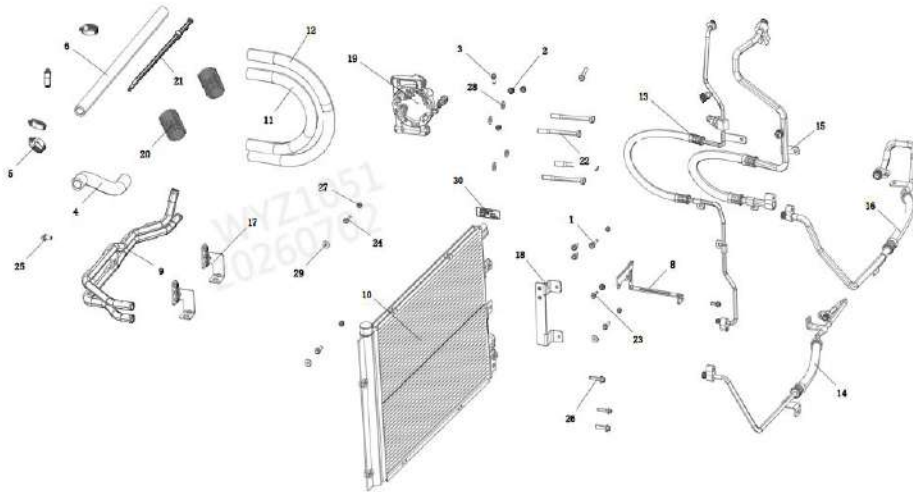
Reference number	Part Number	Part Name	quantity	Unit of measurement
	DZ15221840103	Heated Air Core Assembly (M3000/Double-Layer)	1	piece
	DZ15221840402	Evaporator Blower Assembly	1	piece
	DZ15221840412	Speed Control Module (M3000S)	1	piece
	DZ15221840701	Evaporator Core Assembly/H3000	1	piece
	DZ15221841214	Internal/External Circulation Actuator (M3000/12V/2020 Model)	1	piece
	DZ15221841215	Mode Dampers Actuator (M3000/12V)	1	piece
	DZ15221841224	Electric Heating Water Valve (M3000S/12V)	1	piece
	DZ15221841234	Outdoor Temperature Sensor	1	piece
	DZ15221842302-1	Evaporator Temperature Sensor	1	piece

4010758/Air Conditioner Unit Assembly (M3000S/External Water Valve)



Reference number	Part Number	Part Name	quantity	Unit of measurement
1	DZ13241821115	Expansion Valve	1	piece
2	DZ15221840103A	Heater Core	1	piece
3	DZ15221840402	Evaporator Blower Assembly	1	piece
4	DZ15221840412A	Speed Control Module	1	piece
5	DZ15221841215	Mode Damper Actuator (M3000/12V)	1	piece
6	PDZ15221840701A	Evaporator Core (A029)	1	piece
7	PDZ15221841204A	Evaporator Temperature Sensor (A029/410758 Supplier)	1	piece

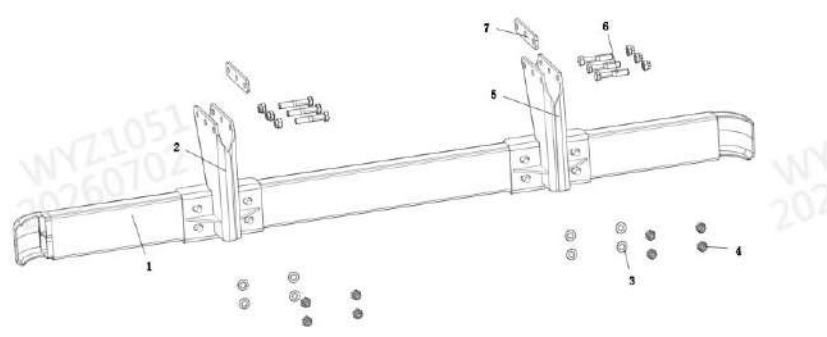
Air conditioning chassis components



Reference number	Part Number	Part Name	quantity	Unit of measurement
	DZ16251844303	AC Compressor	1	piece
	Q150B10110	Hexagon Head Bolt (Galvanized)	4	piece
	Q401B10	Flat Washer	4	piece
	DZ15221848405	Compressor Condenser Connection	1	piece
	Q33006	All Metal Hexagonal Flange Locking Nut-Galvanized	2	piece
	DZ15221848742	Evaporator-Compressor Connecting	1	piece
	Q1840616T1F31	Hexagon Flange Bolt	1	piece
	Q33006	All Metal Hexagonal Flange Locking Nut-Galvanized	1	piece
	DZ14251848901	Pipe Fixing Bracket	1	piece
	Q1840616T1F31	Hexagon Flange Bolt	1	piece
	DZ15221845033	Condenser Assembly (New M3000)	1	piece
	Q1840625T1F31	Hexagon Flange Bolt	3	piece
	Q1840630T1F31	Hexagon Flange Bolt	1	piece
	Q402B06	Large Washer (Galvanized)	3	piece
	Q340B06F60	Type 1 Hex Nut	4	piece
	Q1840830T1F31	Hexagon Flange Bolt	2	piece
	DZ15221848970	AC Pipeline Bracket	1	piece
	Q1840616T1F31	Hexagon Flange Bolt	2	piece
	Q1840620T1F31	Hexagon Flange Bolt	1	piece
	Q33006	All Metal Hexagonal Flange Locking Nut-Galvanized	1	piece
	DZ15221848145	Condenser Evaporator Connection Pipe (M3000/Front Wall/Universal)	1	piece
	DZ15221848706	Evaporator Compressor Connecting Pipe (M3000/Front Wall/Universal)	1	piece
	Q1840630T1F31	Hexagon Flange Bolt	1	piece
	Q1840830T1F31	Hexagon Flange Bolt	1	piece
	DZ15221845216	Heater Hose	1	piece
	DZ15221845218	Heater Hose	1	piece
	DZ13241848913	Elastic Clamp 28	4	piece
	DZ15221842166	AC warm air tube	1	piece

DZ15221848953	Heating Duct Support Bracket (Non-standard Shape/3×M8)	2	piece
Q1840816T1F31	Hexagon Flange Bolt	2	piece
116000840028	Rubber Hose	1	piece
199012530017	Rubber Hose	1	piece
190003989301	Hose Clamp	2	piece
190003989301	Hose Clamp	2	piece
DZ9100470039	Elastic Protect Cover	2	piece
DZ9X259126120	Bidirectional Isolation Tie	1	piece

Accessories
Connecting Plate



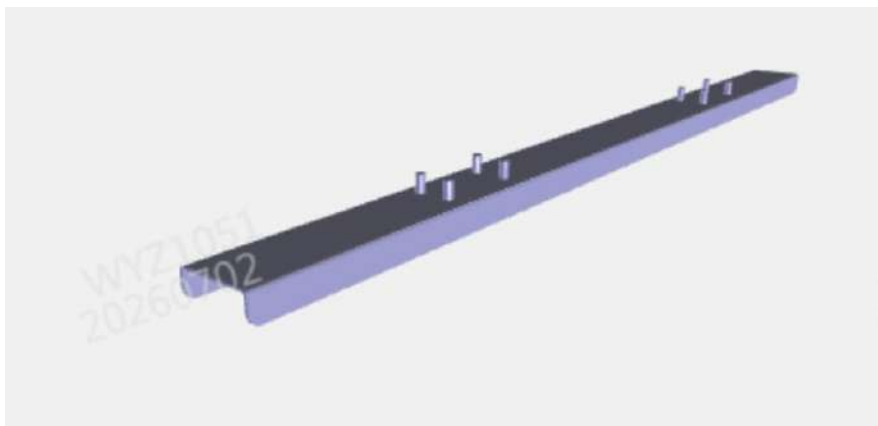
Reference number	Part Number	Part Name	quantity	Unit of measurement
	190003888627	Self-Locking Nut	8	piece
	190003888627	Self-Locking Nut	6	piece
1	DZ96189640146	Cross Beam Assembly/Regulatory Version/750L/Day/2000	1	piece
2	DZ96189640141	Left Support Assembly /330	1	piece
3	Q401B16	Flat Washer	8	piece
5	DZ96189640142	Right Support Assembly /330	1	piece
6	Q151B1685TF3	Hexagon Head Bolt- Fine Thread	6	piece
7	DZ96189640153	Base Plate	2	piece

Cross Beam Assembly/Regulatory Version/750L/Day/2000



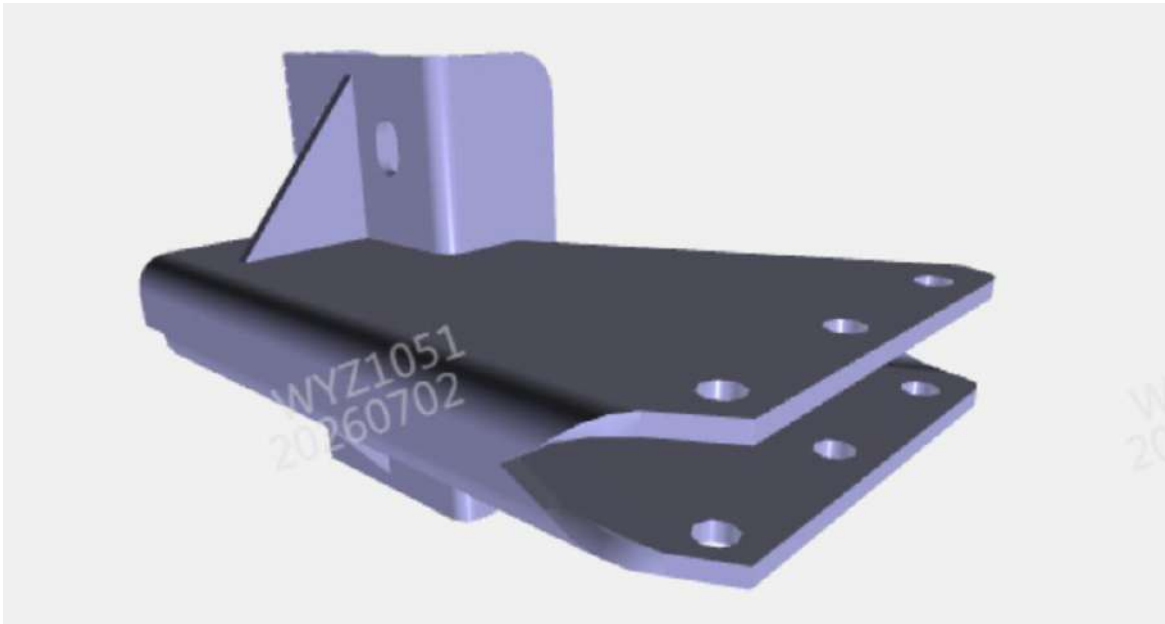
Reference number	Part Number	Part Name	quantity	Unit of measurement
	DZ96189640149	Cross Beam/750L/2.5/120 × 68/2000	1	piece
	DZ96189640151	Reinforcement Plate Assembly	1	piece
	DZ97189641136	Elbow	2	piece

Reinforcement Plate Assembly



Reference number	Part Number	Part Name	quantity	Unit of measurement
	DZ96189640152	Strengthening Plate	1	piece
	Q151B1635TF3	Hexagon Head Bolt- Fine Thread	8	piece

Left Support Assembly /330



Reference number	Part Number	Part Name	quantity	Unit of measurement
	DZ96189640143	Left Bracket Inner Plate /330	1	piece
	DZ96189640147	Left Bracket Outer Plate /330	1	piece
	DZ96189640155	Connecting Plate	1	piece
	DZ97189641131	Reinforcing Rib	1	piece
	DZ97189641131	Reinforcing Rib	1	piece

Right Support Assembly /330



Reference number	Part Number	Part Name	quantity	Unit of measurement
	DZ96189640144	Right Bracket Inner Plate /330	1	piece
	DZ96189640148	Right Bracket Outer Plate /330	1	piece

	DZ96189640155	Connecting Plate	1	piece
	DZ97189641131	Reinforcing Rib	2	piece

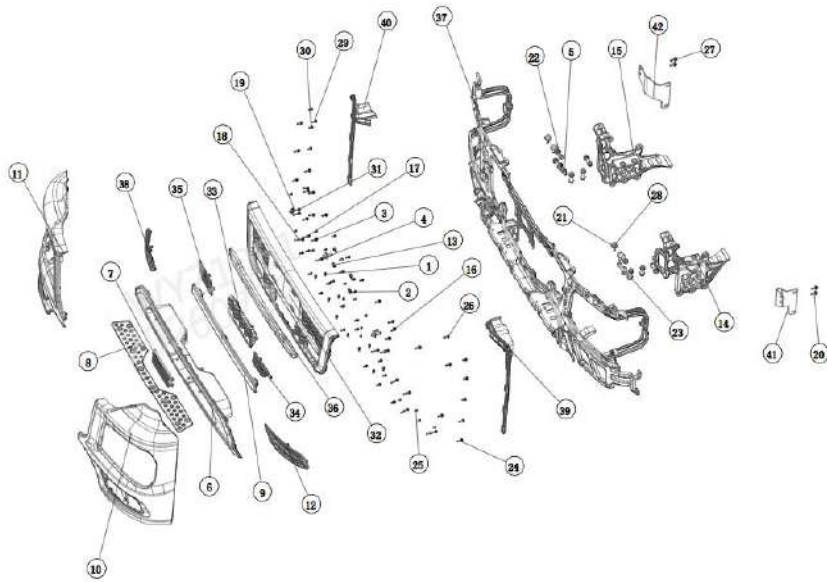
Rear lower protection

Reference number	Part Number	Part Name	quantity	Unit of measurement
	DZ96259646041	Adjustable Mounting Plate	2	piece
	Q1811240TF3	Toothed Bolt With Hexagon Flange	2	piece
	06. 11251. 2003	Hexagon Nut With Flange/M7. 112. 40 M14*1. 5-10-MAN183B1	2	piece
	Q1811440TF3	Toothed Bolt With Hexagon Flange	2	piece
	06. 11251. 2005	Hexagon Nut With Flange/M7. 112. 40 M14*1. 5-10-MAN183B1	2	piece
	DZ96259645050	Rear cross beam assembly	1	piece
	Q1811435TF3	Hexagon Flange Facing Toothed Bolt	6	piece
	06. 11251. 2005	Hexagon Nut With Flange/M7. 112. 40 M14*1. 5-10-MAN183B1	6	piece

Rear cross beam assembly

Reference number	Part Number	Part Name	quantity	Unit of measurement
	DZ96259645051	Vertical Beam	2	piece
	DZ96259645052	Cross Beam	1	piece
	DZ96259645053	Cross Beam End Cap	2	piece
	DZ96259645054	Vertical Beam End Cap	2	piece

Bumper



Reference number	Part Number	Part Name	quantity	Unit of measurement
1	Q1840616T1F62	Hexagon Flange Bolt	10	piece
2	Q1840616T1F31	Hexagon Flange Bolt	23	piece
3	Q1840630T1F31	Hexagon Flange Bolt	8	piece
4	Q402B06	Large Washer (Galvanized)	28	piece
5	06. 11251. 2005	Hexagon Nut With Flange/M7. 112. 40 M14*1. 5-10-MAN183B1	6	piece
5	06. 11251. 2005	Hexagon Nut With Flange/M7. 112. 40 M14*1. 5-10-MAN183B1	6	piece
6	DZ96189625006	Bumper Step Body	1	piece
7	DZ96189625007	Intermediate Insect Net	1	piece
8	DZ96189625008	Step Body Anti Sliding Plate	1	piece
9	DZ96189625009	Outer Panel Of Bumper Crossbeam	1	piece
10	DZ96189625011	Left Bumper Body	1	piece
11	DZ96189625012	Right Bumper Body	1	piece
12	DZ96189625013	Left Lower Trim	1	piece
13	DZ96189625037	Spring Nut	4	piece
14	DZ96189640411	Left Mounting Seat Of Bumper	1	piece
15	DZ96189640412	Right Mounting Seat Of Bumper	1	piece
16	Q1840625T1F31	Hexagon Flange Bolt	10	piece
17	Q1840640T1F31	Hexagon Flange Bolt	6	piece
18	Q150B0650	Hexagon Head Bolt (Galvanized)	2	piece
19	Q150B0660	Hexagon Head Bolt (Galvanized)	2	piece
20	Q1840830T1F31	Hexagon Flange Bolt	2	piece
20	Q1840830T1F31	Hexagon Flange Bolt	2	piece
21	Q1841240TF3	Hexagon Flange Bolt	3	piece
21	Q1841240TF3	Hexagon Flange Bolt	3	piece
22	Q1811455TF3	Toothed Bolt With Hexagon Flange	4	piece
22	Q1811455TF3	Toothed Bolt With Hexagon Flange	4	piece
23	Q1811480TF3	Toothed Bolt With Hexagon Flange	2	piece
23	Q1811480TF3	Toothed Bolt With Hexagon Flange	2	piece
24	Q2140630F60	Cross Recessed Pan Head Screw	2	piece

24	Q2140630F60	Cross Recessed Pan Head Screw	2	piece
25	Q2715513	Cross Recessed Countersunk Head	19	piece
26	Q402B06F60	Large Washer	6	piece
26	Q402B06F60	Large Washer	6	piece
27	Q402B08	Large Washer (Galvanized)	2	piece
27	Q402B08	Large Washer (Galvanized)	2	piece
28	Q402B12	Large Washer (Galvanized)	3	piece
28	Q402B12	Large Washer (Galvanized)	3	piece
29	Q2140625F60	Cross Recessed Pan Head Screw	1	piece
29	Q2140625F60	Cross Recessed Pan Head Screw	1	piece
30	Q2140620F60	Cross Recessed Pan Head Screw	3	piece
30	Q2140620F60	Cross Recessed Pan Head Screw	3	piece
31	Q40306	Spring Washer	5	piece
32	DZ96189625001	Bumper Grille	1	piece
33	DZ96189625002	Middle Decoupling Plug Cover	1	piece
34	DZ96189625003	Left Towing Hook Plug	1	piece
35	DZ96189625004	Right Towing Hook Plug	1	piece
36	DZ96189625005	Grille Trim Strip	1	piece
37	DZ96189625010	Bumper Frame Assembly	1	piece
38	DZ96189625014	Lower Right Trim	1	piece
39	DZ96189625015	Left End Cover Of Bumper	1	piece
40	DZ96189625016	Bumper Right End Cap	1	piece
41	DZ96189620031	Bumper Left Connection Plate	1	piece
42	DZ96189620032	Bumper Right Connecting Plate	1	piece

Bumper Frame Assembly



Reference number	Part Number	Part Name	quantity	Unit of measurement
	DZ96189625029	Upper Beam Assembly	1	piece
	SXQ146B0830T1F6C	Hexagon Head Bolt, Spring Washer And Plain Washer Assembly	4	piece
	DZ96189625030	Lower Crossbeam Assembly	1	piece
	SXQ146B0830T1F6C	Hexagon Head Bolt, Spring Washer And Plain Washer Assembly	4	piece
	DZ96189625025	Left Lower Support Frame	1	piece
	SXQ146B0630T1F6C	Hexagon Head Bolt, Spring Washer And Plain Washer Assembly	2	piece
	Q150B0850	Hexagonal Head Bolt	2	piece
	Q402B08	Large Washer (Galvanized)	2	piece
	Q40308	Spring Washer 190003931102	2	piece
	DZ96189625026	Lower Right Support Frame	1	piece
	SXQ146B0630T1F6C	Hexagon Head Bolt, Spring Washer And Plain Washer Assembly	2	piece
	Q150B0850	Hexagonal Head Bolt	2	piece
	Q402B08	Large Washer (Galvanized)	2	piece
	Q40308	Spring Washer 190003931102	2	piece
	DZ96189625027	Left Headlamp Tail Bracket	1	piece
	SXQ146B0630T1F6C	Hexagon Head Bolt, Spring Washer And Plain Washer Assembly	2	piece
	DZ96189625028	Right Headlight Bracket	1	piece
	SXQ146B0630T1F6C	Hexagon Head Bolt, Spring Washer And Plain Washer Assembly	2	piece
	DZ96189625021	Left Cast Aluminum Main Frame	1	piece
	DZ96189625022	Right Cast Aluminum Main Frame	1	piece

Upper Beam Assembly



Reference number	Part Number	Part Name	quantity	Unit of measurement
	DZ96189625031	Upper Crossbeam	1	piece
	Q37108	Welding Square Nut	4	piece

Lower Crossbeam Assembly



Reference number	Part Number	Part Name	quantity	Unit of measurement
	DZ96189625035	Step Support Plate Assembly	1	piece
	DZ96189625036	Stamped Lower Crossbeam Assembly	1	piece
	DZ96189625034	Step Support Reinforcement Bracket	2	piece

Step Support Plate Assembly



Reference number	Part Number	Part Name	quantity	Unit of measurement
------------------	-------------	-----------	----------	---------------------

DZ96189625033	Step Support Plate	1	piece
Q37106	Welding Square Nut	10	piece

Stamped Lower Crossbeam Assembly



Reference number	Part Number	Part Name	quantity	Unit of measurement
	DZ96189625032	Stamped Lower Crossbeam	1	piece
	Q37106	Welding Square Nut	4	piece
	Q37108	Welding Square Nut	8	piece

Label

1

SHAANKI AUTOMOBILE GROUP CO.,LTD.			
Type السيارة	Truck	Country of manufacturer بلد التصنيع	MADE IN CHINA صين بالسيان
Vehicle No رقم القياسية		Year and month of Manufacture تاريخ التصنيع	
Engine Model نوع المحرك		Engine power قوة المحرك	kW
Curb وزن الفراكتة	kg	Gross vehicle weight(GVW) الوزن الاجمالي	kg
Front axle load الحمولة المحاور الأمامية	kg	Rear axle load حمولة المحور الخلفي	kg
<small>THIS VEHICLE COMPLIES WITH ALL GSO AND NATIONAL MOTOR VEHICLE TECHNICAL REGULATIONS IN EFFECT UP TO THE DATE OF MANUFACTURE</small> <small>تتوافق هذه الفراكتة مع اللوائح الفنية الوطنية والمواصفات المعمول بها حتى تاريخ التصنيع</small>			

Reference number	Part Number	Part Name	quantity	Unit of measurement
	DZ97259000025	Vehicle Label	1	piece

DZ13241930018	Shacman Electronic Label	1	piece
Q4400410T19	Open End Flat Round Head Blind	4	piece

Job Description



Reference number	Part Number	Part Name	quantity	Unit of measurement
1	DZ97259000217	Hoisting Process Indicator Board	1	piece

Side Protection

Reference number	Part Number	Part Name	quantity	Unit of measurement
	DZ97189902090	Left-Side Guardrail Assembly	1	piece
	Q18112100TF3	Toothed Bolt With Hexagon Flange	12	piece
	06.11251.2003	Hexagon Nut With Flange/M7.112.40 M14*1.5-10-MAN183B1	12	piece
	DZ97189902044	Right-Side Guardrail Assembly / Square Tube	1	piece
	DZ97189902058	Front Bracket Assembly / Handrail	1	piece
	Q151B1655TF3	Hexagonal Head Bolt	20	piece
	DZ97259590020	Lock Washer M16	44	piece
	DZ97189902058	Front Bracket Assembly / Armrest	1	piece
	DZ97189902056	Left Rear Bracket Assembly	1	piece
	Q151B1665TF3	Hexagon Head Bolt- Fine Thread	2	piece
	190003888627	Self-Locking Nut	22	piece
	DZ97189902069	Side Protection Pad	2	piece
	DZ97189902059	Right Rear Bracket Assembly	1	piece

Left-Side Guardrail Assembly

Reference number	Part Number	Part Name	quantity	Unit of measurement
	DZ97189904274	Right Connecting Plate	2	piece
	DZ97189904273	Left connecting plate	2	piece
	DZ97189904280	Connecting components	10	piece
	DZ97189902091	Left-Side Guardrail Welded Assembly	1	piece
	Q33010T2F62	All Metal Hexagonal Flange Locking	20	piece

Connecting components

Reference number	Part Number	Part Name	quantity	Unit of measurement
	DZ97189904281	Connecting plate	1	piece
	Q150B1030T1F3	Hexagon Head Bolt	2	piece

Left-Side Guardrail Welded Assembly

Reference number	Part Number	Part Name	quantity	Unit of measurement
	DZ97189902097	Left Guardrail	3	piece
	DZ97189904204	Right Vertical Beam	1	piece
	DZ97189904203	Left Vertical Beam	1	piece

Right-Side Guardrail, Integrated/Square Tube

Reference number	Part Number	Part Name	quantity	Unit of measurement
	DZ97189902065	Right-Side Guardrail Welded	1	piece
	DZ97189904257	Step Anti-Slip Plate	2	piece
	DZ97189904273	Left connecting plate	2	piece
	DZ97189904274	Right Connecting Plate	2	piece
	DZ97189904280	Connecting components	12	piece
	Q1841025T1F31	Hexagon Flange Bolt	4	piece
	Q33010T2F62	All Metal Hexagonal Flange Locking	28	piece

Right-Side Guardrail Welded Assembly

Reference number	Part Number	Part Name	quantity	Unit of measurement
	DZ97189902067	Right Guardrail	3	piece
	DZ97189904204	Right Vertical Beam	1	piece
	DZ97189904203	Left Vertical Beam	1	piece

Connecting components

Reference number	Part Number	Part Name	quantity	Unit of measurement
	DZ97189904281	Connecting plate	1	piece
	Q150B1030T1F3	Hexagon Head Bolt	2	piece

Front Bracket Assembly/Armrest

Reference number	Part Number	Part Name	quantity	Unit of measurement
	DZ95259642029	Connecting Plate (4)	2	piece
	DZ97189902037	Horizontal Tube	1	piece
	DZ97189902038	Vertical Tube	1	piece
	DZ97189902039	Diagonal Tube	1	piece
	DZ97259540027	Pad Cover	8	piece
	DZ97189902052	Handrail	1	piece
	DZ97189902019	Welded Plate	2	piece
	DZ97189902020	Stiffener Plate	4	piece
	DZ97189902068	Right Bracket Assembly Base Plate	1	piece

Front Bracket Assembly/Armrest

Reference number	Part Number	Part Name	quantity	Unit of measurement
	DZ95259642029	Connecting Plate (4)	2	piece
	DZ97189902037	Horizontal Tube	1	piece
	DZ97189902038	Vertical Tube	1	piece
	DZ97189902039	Diagonal Tube	1	piece
	DZ97259540027	Pad Cover	8	piece
	DZ97189902052	Handrail	1	piece
	DZ97189902019	Welded Plate	2	piece
	DZ97189902020	Stiffener Plate	4	piece
	DZ97189902068	Right Bracket Assembly Base Plate	1	piece

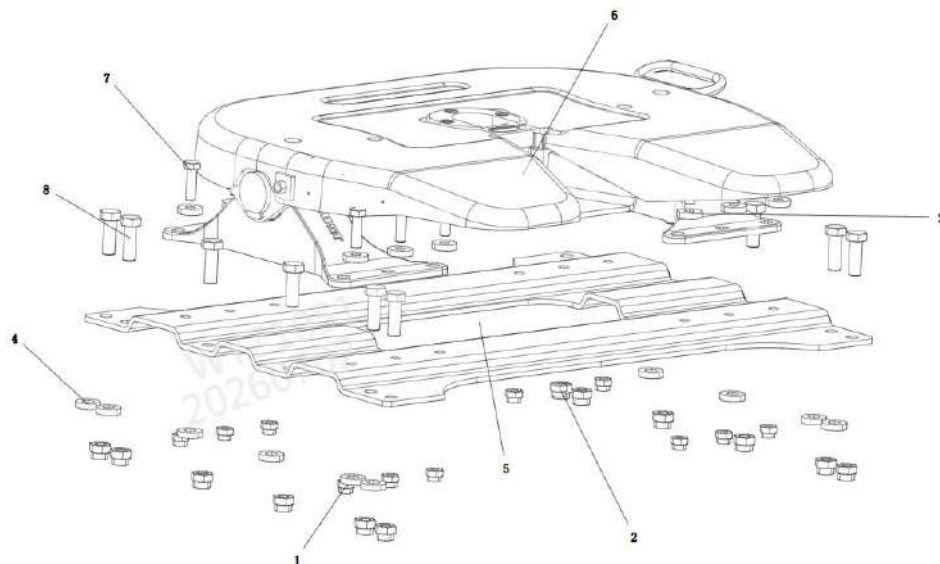
Left Rear Bracket Assembly

Reference number	Part Number	Part Name	quantity	Unit of measurement
	DZ97189902037	Horizontal Tube	1	piece
	DZ95189904187	Reinforcing Plate III	6	piece
	DZ95259642029	Connecting Plate (4)	2	piece
	DZ97189902038	Vertical Tube	1	piece
	DZ97189902039	Diagonal Tube	1	piece
	DZ97259540027	Pad Cover	8	piece
	DZ97189902019	Welding Plate	2	piece
	DZ97189902061	Bottom Plate	1	piece

Rear Right Bracket Assembly

Reference number	Part Number	Part Name	quantity	Unit of measurement
	DZ97189902037	Horizontal Tube	1	piece
	DZ95189904187	Reinforcing Plate III	6	piece
	DZ95259642029	Connecting Plate (4)	2	piece
	DZ97189902038	Vertical Tube	1	piece
	DZ97189902039	Diagonal Tube	1	piece
	DZ97259540027	Pad Cover	8	piece
	DZ97189902019	Welding Plate	2	piece
	DZ97189902061	Bottom Plate	1	piece

Saddle Seat



Reference number	Part Number	Part Name	quantity	Unit of measurement
	190003888467	Self-locking Nut M20×1.5-8-ZN-	2	piece

	190003888467	Self-locking Nut M20×1.5-8-ZN-	10	piece
	Q151B2055T1F3	Hexagon Head Bolt- Fine Thread	2	piece
	Q151B2055T1F3	Hexagon Head Bolt- Fine Thread	10	piece
1	190003888459	Self-Locking Nut	12	piece
3	1-99-907-030	Washer	12	piece
4	DZ9112510037	Washer	12	piece
5	DZ95189930023	Corrugated Fifth Wheel Mounting	1	piece
6	DZ91259933516	Yoster 50 Fifth Wheel (Jsk35Dvs3-	1	piece
7	Q151B1650T1F3	Hexagon Head Bolt- Fine Thread	12	piece

Mudguard

Reference number	Part Number	Part Name	quantity	Unit of measurement
	06.11251.2005	Hexagon Nut With Flange/M7.112.40 M14*1.5-10-MAN183B1	16	piece
	DZ97259956010	Front Section Assembly Of Fender	2	piece
	DZ97259957080	Splash Guard Bracket Assembly	2	piece
	Q1811450TF3	Toothed Bolt With Hexagon Flange	16	piece
	DZ97259956951	Left Rear Fender Assembly (SHACMAN/200/Protective Grille)	1	piece
	DZ97259956952	Rear Right Fender Assembly (Shacman/200/Protective Grille)	1	piece
	DZ97259957091	Splash Guard Bracket Assembly	2	piece
	DZ97259956110	Middle Section Assembly Of Fender	2	piece
	Q150B1080	Hexagon Head Bolt (Galvanized)	8	piece
	DZ9X259950005	Cushion Block	8	piece

Front Section Assembly Of Fender



Reference number	Part Number	Part Name	quantity	Unit of measurement
	DZ97259956011	Front Fixing Plate	2	piece
	DZ9X259950015	Metal Buckle	4	piece
	DZ97259956001	Front Section Fender	1	piece

Splash Guard Bracket Assembly (0×17.5)

Reference number	Part Number	Part Name	quantity	Unit of measurement
	DZ96259957043	Locating Pin	1	piece
	DZ97259957081	Base (100 × 75)	1	piece
	DZ97259957082	Splash Guard Bracket Assembly (分)	1	piece
	Q1811655TF3	Toothed Bolt With Hexagon Flange	1	piece

Splash Guard Bracket Assembly (分)

Reference number	Part Number	Part Name	quantity	Unit of measurement
	DZ93259955013	Plug Head	1	piece
	DZ97259957083	Transition Base (0 × 17.5)	1	piece
	DZ97259957084	Bracket Tube	1	piece

Left Rear Fender Assembly (SHACMAN/200/Protective Grille)

Reference number	Part Number	Part Name	quantity	Unit of measurement
	DZ97259956526	Self-Tapping Screw M6	5	piece
	DZ97259956527	Self-Tapping Screw M5	20	piece
	DZ97259956917	Mud Flap (SHACMAN200)	1	piece
	DZ97259956921	Rear Fixing Plate (Left)	1	piece
	DZ97259956922	Rear Fixing Plate (Right)	1	piece
	DZ9X259950015	Metal Buckle	4	piece
	DZ97259950605	Left Transition Bracket Assembly	1	piece
	Q33208T2F3	2 Type All Metal Hexagonal Lock Nut	2	piece
	DZ97259956901	Rear Section Fender	1	piece
	DZ97259956902	Upper Splash Guard	1	piece
	DZ97259956903	Lower Splash Plate (200)	1	piece

Left Transition Bracket Assembly



Reference number	Part Number	Part Name	quantity	Unit of measurement
	DZ97259950603	Strengthened Plate	4	piece
	DZ97259950601	Left Transition Bracket	1	piece
	DZ97259950604	Cylinder	2	piece

Rear Right Fender Assembly (Shacman/200/Protective Grille)

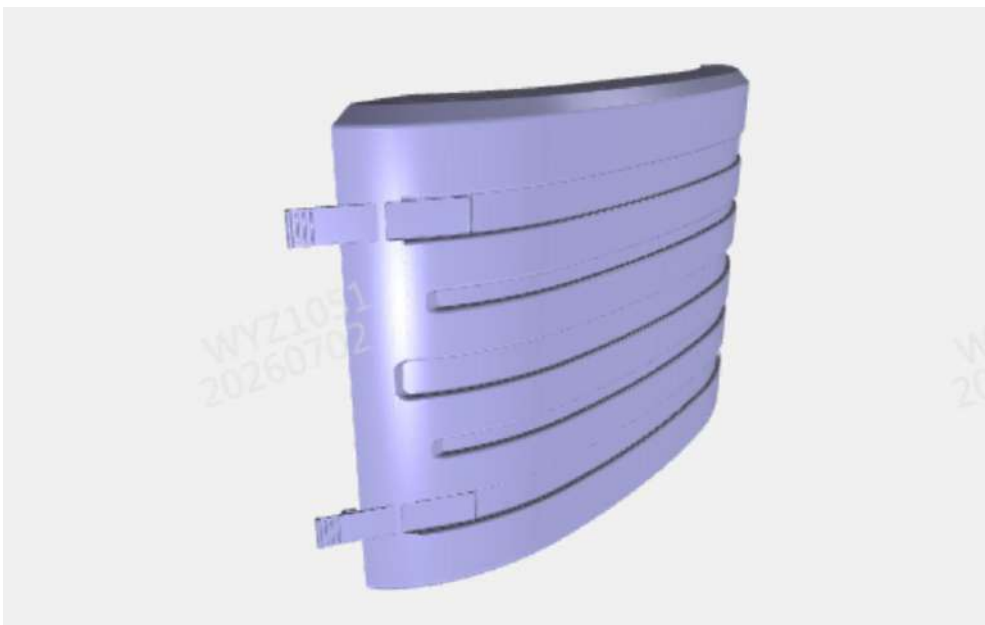
Reference number	Part Number	Part Name	quantity	Unit of measurement
	DZ97259956526	Self-Tapping Screw M6	5	piece
	DZ97259956527	Self-Tapping Screw M5	20	piece
	DZ97259956917	Mud Flap (SHACMAN200)	1	piece
	DZ97259956921	Rear Fixing Plate (Left)	1	piece
	DZ97259956922	Rear Fixing Plate (Right)	1	piece
	DZ9X259950015	Metal Buckle	4	piece
	DZ97259950606	Right Transition Bracket Assembly	1	piece
	Q33208T2F3	2 Type All Metal Hexagonal Lock Nut	2	piece
	DZ97259956901	Rear Section Fender	1	piece
	DZ97259956902	Upper Splash Guard	1	piece
	DZ97259956903	Lower Splash Plate (200)	1	piece

Right Transition Bracket Assembly



Reference number	Part Number	Part Name	quantity	Unit of measurement
	DZ97259950603	Strengthened Plate	4	piece
	DZ97259950604	Cylinder	2	piece
	DZ97259950602	Right Transition Bracket	1	piece

Middle Section Assembly Of Fender



Reference number	Part Number	Part Name	quantity	Unit of measurement
	DZ97259956112	Rubber Tension Belt	4	piece
	DZ97259956111	Middle Section Fender	1	piece

Jack



Reference number	Part Number	Part Name	quantity	Unit of measurement
1	DZ91189851014	Oil Jack/QYL32-JB/T2104-2002	1	piece

Fire Extinguisher



Reference number	Part Number	Part Name	quantity	Unit of measurement
1	DZ93259860001	Mf8 Dry Powder Fire Extinguisher	1	piece

Warning Light Appliances

Reference number	Part Number	Part Name	quantity	Unit of measurement
1	DZ95189721375	Warning Light (LED)	1	piece

Oil Pressure Gauge

Reference number	Part Number	Part Name	quantity	Unit of measurement
	DZ20119850034	Tire Barometer (Gb1226)	1	piece

Specialized and On-Board Tools

Reference number	Part Number	Part Name	quantity	Unit of measurement
	DZ97259850200	Vehicle Toolbox	1	piece
	SZ992000738	Crowbar/Φ22*850	1	piece
	DZ9100850030	Triangular Warning Sign	2	piece
	DZ97259850010	Information Bag	1	piece
	DZ96189773095	ABS Spiral Flexible Cable Assembly	1	piece
	DZ93189774056	7 Core 24V Spiral Flexible Cable Assembly	1	piece
	DZ9100726610	Working Lamp Assembly	1	piece

Vehicle Toolbox

Reference number	Part Number	Part Name	quantity	Unit of measurement
	DZ97259850101	Dual Purpose Wrench (13 * 13)	1	piece
	DZ97259850102	Dual Purpose Wrench	1	piece
	DZ97259850103	Dual Purpose Wrench	1	piece
	DZ97259850104	Dual Purpose Wrench	1	piece
	DZ97259850105	Dual Purpose Wrench	1	piece
	DZ97259850106	Dual Purpose Wrench	1	piece
	DZ97259850107	Dual Purpose Wrench	1	piece
	DZ97259850108	Cross screwdriver	1	piece
	DZ97259850109	Slotted Screwdriver	1	piece
	DZ97259850110	Pliers (200 mm)	1	piece
	DZ97259850111	Adjustable wrench (300 × 36 mm)	1	piece
	DZ97259850113	Inflatable hose	1	piece
	DZ97259850201	Sleeve	1	piece
	DZ97259850202	Sleeve	1	piece

DZ97259850203	Sleeve	1	piece
DZ97259850204	Sleeve	1	piece
DZ97259850205	Sleeve	1	piece
DZ97259850206	Sleeve	1	piece
DZ97259850207	Sleeve	1	piece
DZ97259850208	Sleeve	1	piece
DZ97259850209	Sleeve	1	piece
DZ97259850210	Sleeve	1	piece
DZ97259850211	Sleeve	1	piece
DZ97259850212	Sleeve	1	piece
DZ97259850213	Sleeve	1	piece
DZ97259850214	Sleeve	1	piece
DZ97259850215	Sleeve	1	piece
DZ97259850216	Sleeve	1	piece
DZ97259850217	Sleeve	1	piece
DZ97259850218	Sleeve	1	piece
DZ97259850219	Sleeve	1	piece
DZ97259850220	Sleeve	1	piece
DZ97259850221	Sleeve	1	piece
DZ97259850222	Ratchet wrench	1	piece
DZ97259850223	Long Extension Rod	1	piece
DZ97259850224	Universal Joint	1	piece
DZ97259850225	Sliding Head Handle	1	piece
DZ97259850226	Quick-Release Crank	1	piece
DZ97259850227	Short Connecting Rod	1	piece
DZ97259850228	Toolbox—Deluxe Edition	1	piece
DZ20119850030	Tire Sleeve (30 × 32)	1	piece

Operating Platform

Reference number	Part Number	Part Name	quantity	Unit of measurement
	DZ97259600020	Middle Platform Assembly	2	piece
	DZ9X259600214	Connecting Fixing Bracket Assembly	2	piece
	Q1840820T1F31	Hexagon Flange Bolt	4	piece
	DZ9X259600328	Fixing Bracket Assembly	4	piece
	Q1841040T1F31	Hexagon Flange Bolt	4	piece

Middle Platform Assembly

Reference number	Part Number	Part Name	quantity	Unit of measurement
	DZ97259600021	Support Plate	2	piece
	DZ9X259600271	Aluminum Alloy Operation Platform	1	piece
	DZ95259602038	Rubber Pad	2	piece

Fixing Bracket Assembly

Reference number	Part Number	Part Name	quantity	Unit of measurement
	Q340B10T2F3	Type 1 Hex Nut	1	piece
	DZ9X259600329	Fixing Bracket	1	piece
	DZ9X259600023	Base Plate	1	piece

Armrest

Reference number	Part Number	Part Name	quantity	Unit of measurement
	DZ95189600206	Armrest	1	piece
	Q1811440TF3	Toothed Bolt With Hexagon Flange	2	piece
	06.11251.2005	Hexagon Nut With Flange/M7.112.40 M14*1.5-10-MAN183B1	2	piece
	Q1811480TF3	Toothed Bolt With Hexagon Flange	2	piece

Armrest

Reference number	Part Number	Part Name	quantity	Unit of measurement
	DZ95189600207	Armrest	1	piece
	DZ97189604522	Bracket	1	piece
	DZ97189604523	Set Bracket	1	piece

Operating Platform

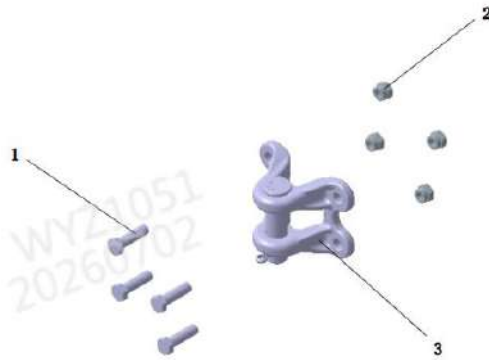
Reference number	Part Number	Part Name	quantity	Unit of measurement
	DZ9H259600038	Second-Stage Step Assembly / Front Overhang Kit	1	piece
	06.11251.2005	Hexagon Nut With Flange/M7.112.40 M14*1.5-10-MAN183B1	2	piece
	06.11251.2005	Hexagon Nut With Flange/M7.112.40 M14*1.5-10-MAN183B1	2	piece

Q1811470TF3	Toothed Bolt With Hexagon Flange	4	piece
-------------	----------------------------------	---	-------

Second-Stage Step Assembly / Front Overhang Kit

Reference number	Part Number	Part Name	quantity	Unit of measurement
	DZ9H259600034	Pedal	2	piece
	DZ9H259600037	Left Step Bracket	1	piece
	DZ9H259600036	Right Step Bracket	1	piece
	DZ9H259600039	Pad Cover/35	2	piece

Traction Device



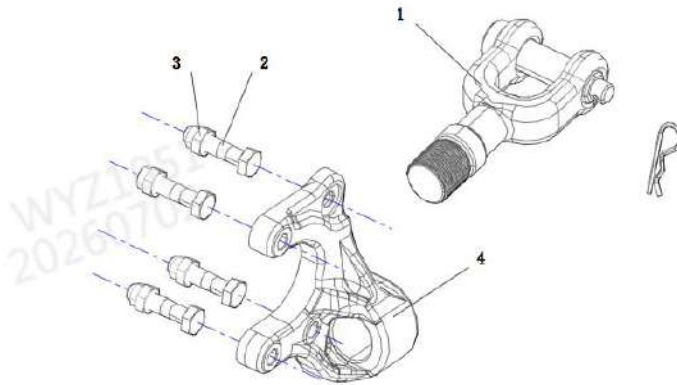
Reference number	Part Number	Part Name	quantity	Unit of measurement
	DZ93259930100	Traction Seat Assembly	1	piece
	Q151B1660TF3	Hexagon Head Bolt- Fine Thread	4	piece
	190003888627	Self-Locking Nut	4	piece

Traction Seat Assembly



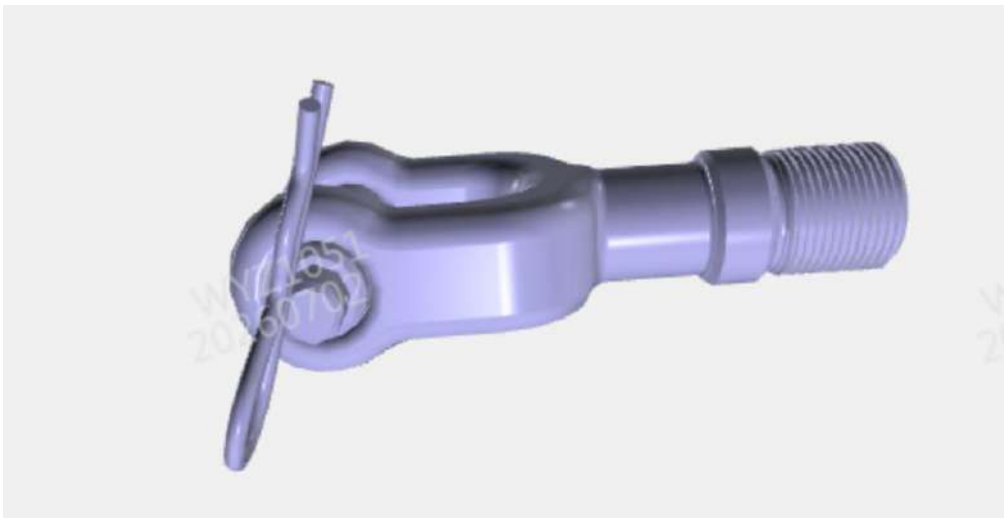
Reference number	Part Number	Part Name	quantity	Unit of measurement
	DZ93259930101	Traction Seat	1	piece
	DZ93259930102	Axis Pin	1	piece
	Q5006363	Split Pin	1	piece

Traction Pin Assembly



Reference number	Part Number	Part Name	quantity	Unit of measurement
1	DZ95189840010	Traction Device	1	piece
2	Q1811460TF3	Toothed Bolt With Hexagon Flange	2	piece
3	06.11251.2005	Hexagon Nut With Flange/M7.112.40 M14*1.5-10-MAN183B1	2	piece
4	DZ95259840707	Left Bracket For Traction Pin	1	piece

Traction Device

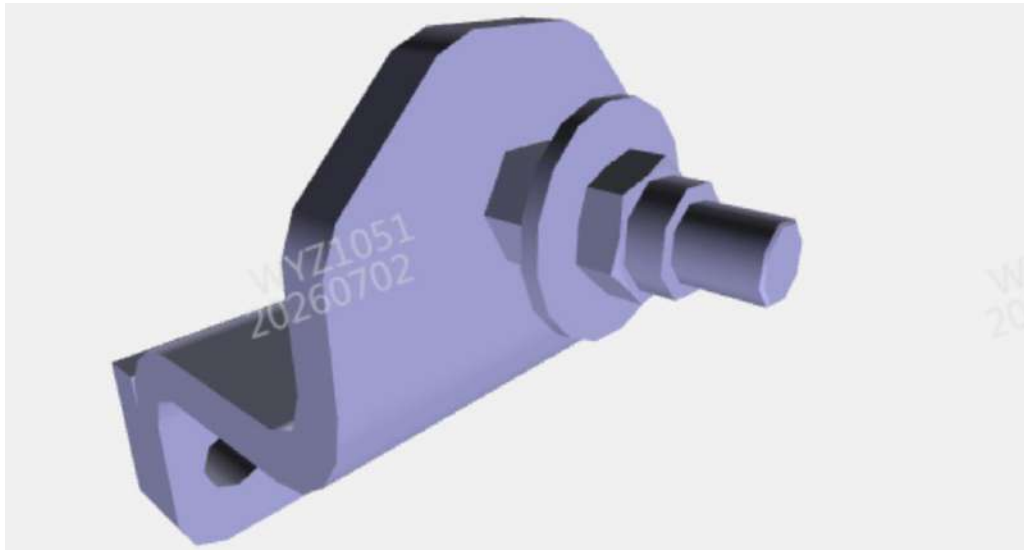


Reference number	Part Number	Part Name	quantity	Unit of measurement
	DZ95189840011	Traction Pin	1	piece
	DZ95189840012	Axis Pin	1	piece
	Q50120	Locking Pin Assembly	1	piece

Spare Tire Lifting Control Valve And Pipeline List

Reference number	Part Number	Part Name	quantity	Unit of measurement
	DZ97259860012	Simple Spare Tire Rack Assembly	2	piece
	DZ95189860012	Simple Spare Tire Carrier Pad	8	piece
	Q1811490TF3	Toothed Bolt With Hexagon Flange	4	piece
	06.11251.2005	Hexagon Nut With Flange/M7.112.40 M14*1.5-10-MAN183B1	4	piece

Simple Spare Tire Rack Assembly



Reference number	Part Number	Part Name	quantity	Unit of measurement
	DZ95189860012	Simple Spare Tire Carrier Pad	1	piece
	DZ9X259860002	Spare Wheel Carrier Bracket	1	piece
	Q1811255TF3	Toothed Bolt With Hexagon Flange	1	piece
	Q341C12T2F3	Type 1 Hex Nut	1	piece
	Q402B12	Large Washer (Galvanized)	1	piece
	190003888468	Self-Locking Nut	1	piece